

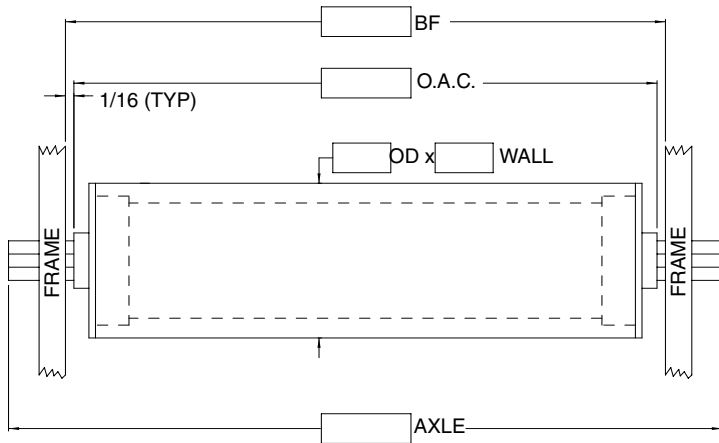
ROLLER QUOTATION WORKSHEET

Company _____ Date _____
 Contact _____ Quote Due _____ Desired Delivery _____
 Phone No.: _____ Contact Email: _____ State _____
 Omni Sales Contact: _____ Quote #: _____

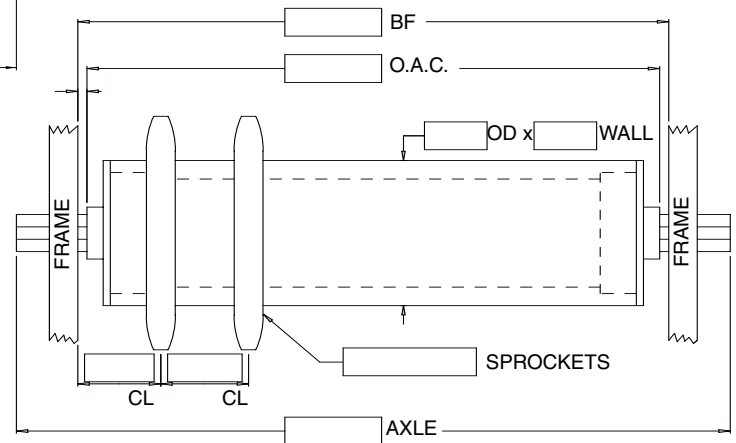
Quantity: _____
 Between Frame Width (BF): _____
 Overall Cone (OAC) (if roller is not in frame): _____
 Roller Diameter: _____
 Wall Thickness (Gauge): _____
 Axle Size _____ (Hex or Round)
 Axle Length _____ (or Standard)

Type of Bearing: _____
 Pin Retained: _____
 Spring Retained: _____
 Groove Center Line: _____ (if applicable)
 Sprocket Size: _____ (if applicable)
 Load Capacity Required _____

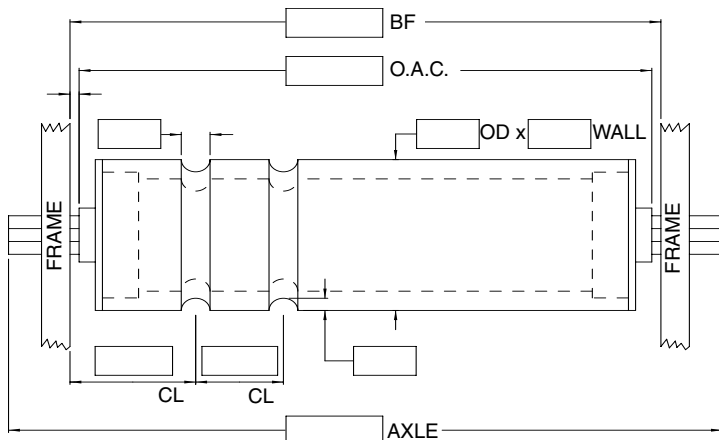
Note: Between Frame (BF) is the distance between the frames of the conveyor. The Between Frame measurement is needed to ensure proper fit into the conveyor. If the roller is not in conveyor provide the Overall Cone, the length of the roller from bearing tip to bearing tip. (See our Roller Measurement Guide for more information) Utilize the drawings below to depict more detailed specifications.



GRAVITY ROLLER



SPROCKETED ROLLER



GROOVED ROLLER

Proposal Drawing Required: Yes No