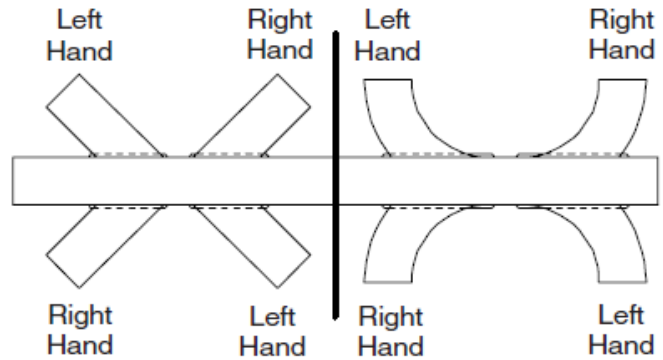


## GRAVITY SPUR QUOTATION WORKSHEET

Company \_\_\_\_\_ Date \_\_\_\_\_  
 Contact \_\_\_\_\_ Quote Due \_\_\_\_\_ Desired Delivery \_\_\_\_\_  
 Phone No. \_\_\_\_\_ Contact Email \_\_\_\_\_ State \_\_\_\_\_  
 Omni Sales Contact \_\_\_\_\_ Quote #: \_\_\_\_\_  
 Quantity \_\_\_\_\_

### Product Specs:

Max:  
 - Width (inches): \_\_\_\_\_ Length (inches): \_\_\_\_\_  
 - Height (inches): \_\_\_\_\_ Weight (lbs): \_\_\_\_\_  
 Min:  
 - Width (inches): \_\_\_\_\_ Length (inches): \_\_\_\_\_  
 - Height (inches): \_\_\_\_\_ Weight (lbs): \_\_\_\_\_  
 Description: \_\_\_\_\_  
 Max. Qty.: \_\_\_\_\_ Total Live Load: \_\_\_\_\_  
 Temperature  
 -Environment: \_\_\_\_\_  
 -Product: \_\_\_\_\_



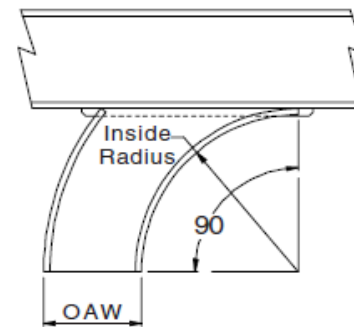
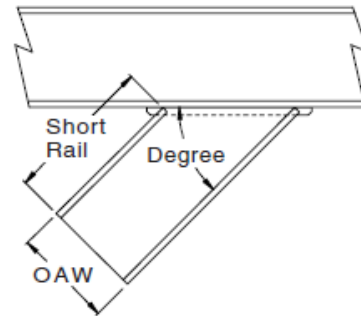
### Conveyor Construction:

Spur Hand: \_\_\_\_\_  
 Spur Degree: \_\_\_\_\_  
 Short Rail/Inside Radius: \_\_\_\_\_  
 Overall Width (OAW): \_\_\_\_\_  
 Wheel/Roller Height: \_\_\_\_\_  
 Wheel/Roller Centers C/C: \_\_\_\_\_

- Side Frames  Structural  Formed
- Welded  
 Painted  Powder Coated  
 Epoxy Painted  
 Color / RAL: \_\_\_\_\_  
 Stainless Steel
- Bolt-Together  
 Painted  Powder Coated  
 Color RAL: \_\_\_\_\_  
 Galvanized  Stainless Steel  
 Aluminum

### Roller Options:

- Roller Number: \_\_\_\_\_  
 Diameter: \_\_\_\_\_  
 Axle Size: \_\_\_\_\_
- Skatwheeler Number:  
 Wheel Type: \_\_\_\_\_  
 Wheels per Foot (WPF): \_\_\_\_\_



**Leg Support:** Qty: \_\_\_\_\_  
 Pivot Top  Rigid Top  
 Upright Size: \_\_\_\_\_  
 TOR \_\_\_\_\_ TOL \_\_\_\_\_ +/- \_\_\_\_\_

**Other:** \_\_\_\_\_  
 \_\_\_\_\_  
 \_\_\_\_\_  
 \_\_\_\_\_  
 \_\_\_\_\_

Approval Drawing Required:  Yes  No