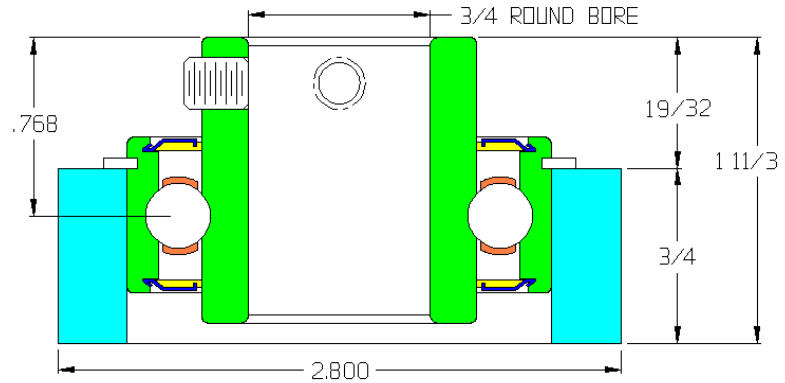


45396-GP

Load Capacity	2010 lbs
Temp. Range	-10°F to 225°F

Features

- ABEC-1 Precision
- Hardened chrome steel
- Precision ground finish
- Extended inner race with 2 set-screws
- Front & rear rubber seals
- Front & rear shields
- Machined metal adapter sleeve
- Ball retainer
- Replaceable
- Grease packed



Application Info

Designed for 3" OD x 11 ga. tubes. Recommended for very heavy loads. Set screws lock the bearing to the axle and prevent side-to-side movement, even if roller is mounted vertically. Metal shields deflect large particle debris and protect a rubber contact seal that is very effective against fine dust and other small particle debris. The seal adds rotational drag and is not recommended for gravity applications with light product. Recommended for powered applications where roller resistance is not an issue and the roller is constantly rotating.

Special Features

116030-GP is the bearing part number.
45392 is the adapter part number.

