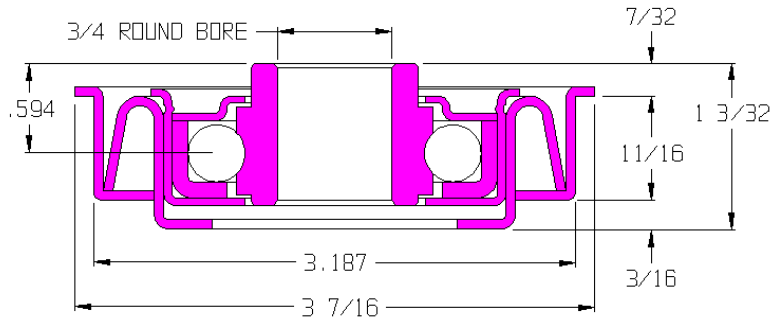


45171-GP

Load Capacity	425 lbs
Temp. Range	-20°F to 350°F

Features

- Unground, non-precision
- Stamped metal construction
- Zinc plated mild steel
- Full ball compliment
- Stamped metal adapter
- Replaceable
- Grease packed



Application Info

This is a common bearing for a 2-1/2 OD roller, fit into an adapter that allows it to be installed in a 3-1/2 OD x 7 ga. roller with relatively light loads. Recommended for slow powered applications and gravity conveyor applications. The lack of seals or shields reduces drag but offers no protection against dirt and debris. Not recommended for dirty or dusty environments. Not recommended for high speeds or CDLR.

Similar Bearings

- 31439 is sealed and has an 11/16 hex bore.
- 45173-GP has a 7/16 hex bore.
- 45207-GP has a 5/8 hex bore.
- 45172-GP has a 3/4 hex bore.

Special Notes

- 102273-GP is the bearing part number.
- 102080 is the sleeve part number.

