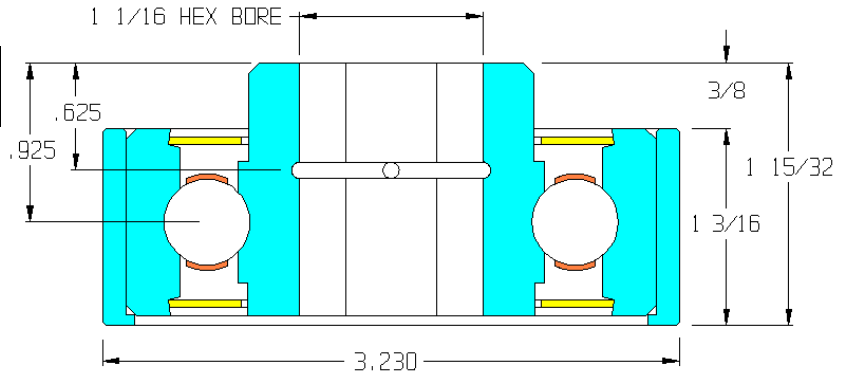


### 45077-GP

Load Capacity	2065 lbs
Temp. Range	-30°F to 260°F

#### Features

- Semi-Precision
- Machined metal construction
- Heat treated mild steel
- Front and rear seals
- Ball retainer
- Machined metal adapter
- Replaceable
- Grease packed
- Regreaseable



#### Application Info

This assembly is designed specifically for 3.5 x 7 ga. tubing as an alternative to using .300 wall tubing. The bearing is recommended for heavy loads in moderately dirty environments. Rubber contact seals protect against dirt and debris but may be damaged by overly abrasive materials. A hole through the inner race allows the bearing to be regreased through the axle. Bearings that are regularly regreased can withstand very high levels of debris without damage. The seals add rotational drag and are not recommended for gravity applications with light product. Recommended for powered applications where roller resistance is not an issue and the roller is constantly rotating.

#### Similar Bearings

45053-GP is an unground press fit equivalent.  
45054-GP is an equivalent ABEC bearing.

#### Special Notes

102101-GP is the bearing part number.  
45052-GP is the sleeve part number.

