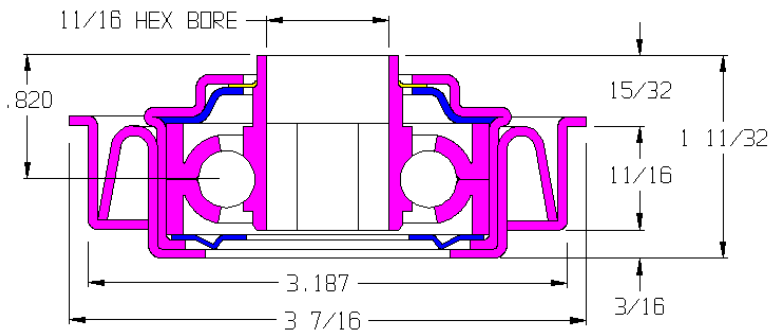


### 31439

Load Capacity	425 lbs
Temp. Range	-40°F to 250°F

#### Features

- Uground, non-precision
- Stamped metal construction
- Zinc plated mild steel
- Full ball compliment
- Front polymer seal
- Front and rear shields
- Stamped metal adapter
- Replaceable
- Grease packed



#### Application Info

This is one of our most popular bearings assembled in an adapter that is designed specifically for a 3-1/2 OD x 7 ga. roller with relatively light loads. A metal shield ring supports a polymer sealing ring to hold out small amounts of large particle debris. Not recommended for extremely dusty environments. Grease allows the bearing to be used for powered applications but also recommended for gravity applications with 3.5 OD rollers.

#### Similar Bearings

44881-GP is an equivalent precision bearing.

#### Special Notes

102041-GP is the bearing part number.  
102080 is the sleeve part number.

