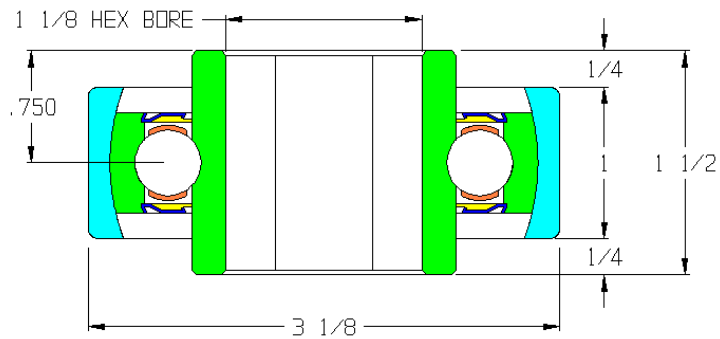


27949

Load Capacity	4000 lbs
Temp. Range	-10°F to 225°F

Features

- ABEC-1 precision
- Hardened chrome steel
- Precision ground finish
- Spherical all metal body
- Metal adapter sleeve
- Front & rear rubber seals
- Front & rear shields
- Ball retainer
- Replaceable
- Grease packed



Application Info

Recommended for very heavy loads. The spherical bearing can rotate inside the sleeve so is less affected by axle deflection. Metal shields deflect large particle debris and protect a rubber contact seal that is very effective against fine dust and other small particle debris. The seal adds rotational drag and is not recommended for gravity applications with light product. Recommended for powered applications where roller resistance is not an issue and the roller is constantly rotating.

Similar Bearings

- 45102-GP and has a larger OD sleeve.
- 27951 has a 1-3/8 dia. bore bearing.
- 24862 has a 1-7/16 dia. bore bearing.

Special Notes

- 102220-GP is the bearing part number.
- 24863 is the sleeve part number.

