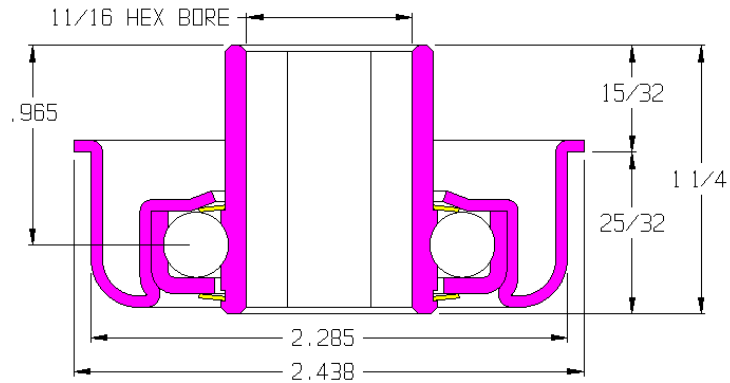


116190-GP

Load Capacity	440 lbs
Temp. Range	-22°F to 212°F

Features

- Unground, non-precision
- Stamped metal construction
- Zinc plated mild steel
- Full ball compliment
- Front and rear seals
- Grease packed



Application Info

Recommended for light-duty gravity applications. A polymer sealing ring holds out large particle debris but is not effective against a lot of dust or fine particle dust. Not recommended for high speeds or powered applications.

Similar Bearings

102041-GP is a heavier duty bearing.

