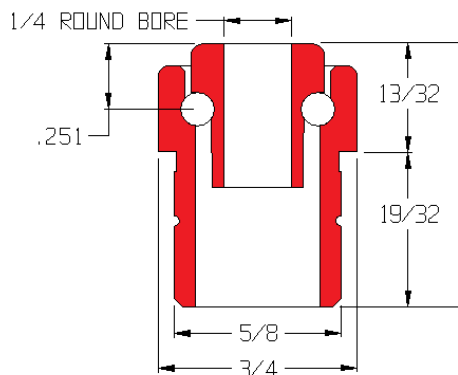


116178

| | |
|---------------|-----------------|
| Load Capacity | 31 lbs |
| Temp. Range | -122°F to 212°F |

Features

- Molded plastic body
- 420 stainless steel balls
- No lubrication required
- Replaceable



Application Info

Designed specifically for 3/4" OD x 16 ga. tubing. An ideal bearing for wash-down and corrosive applications. No lubrication is required between the metal balls and plastic raceways. Normal operation can be maintained with the bearing completely submerged in fluid. Only light loads and slow speeds are recommended.

