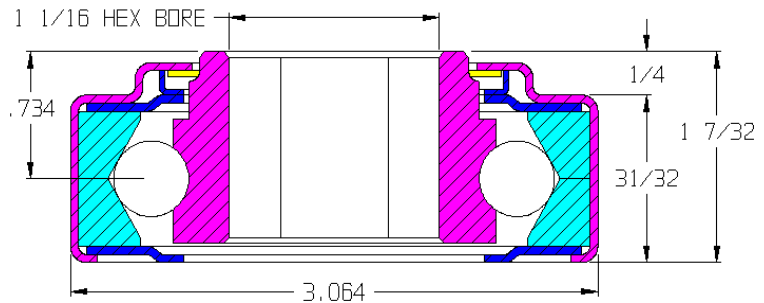


116148-GP

Load Capacity	1200 lbs
Temp. Range	-40°F to 250°F

Features

- Unground, non-precision
- Stamped metal construction
- Machined outer race
- 300 series stainless steel
- 400 series stainless steel balls
- Full ball compliment
- Front polymer seal
- Front and rear shields
- Replaceable
- Grease packed



Application Info

A machined outer raceway creates a higher load capacity than similar bearings with stamped raceways. All parts of the bearing are made from stainless steel to prevent rust and corrosion. The balls are made from 400 series stainless steel for tighter tolerances and higher load capacity. Recommended for slow speed powered conveyor and gravity conveyor applications. Not recommended for high speeds. A metal shield ring supports a polymer sealing ring to hold out small amounts of large particle debris. Not recommended for extremely dusty environments.

Similar Bearings

102061-GP is zinc plated mild steel.

Special Notes

Standard grease is not food grade. Food grade grease available on request.
300 series stainless steel is not magnetic.

