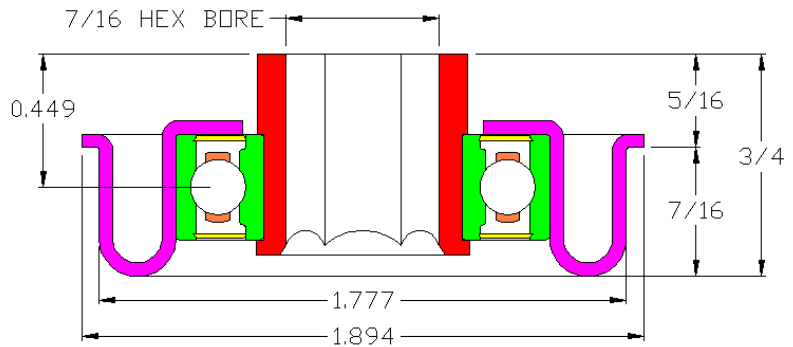


## 116028-GP

Load Capacity	300 lbs
Temp. Range	-4°F to 180°F

### Features

- ABEC-1 precision
- Zinc plated steel outer housing
- Polypropylene hex adapter
- Mild steel internal radial bearing
- Ball retainer
- Front and rear seals
- Grease packed



### Application Info

Designed specifically for a 1.9 x 16 ga. roller and to stay in the tube better than a plastic housed precision bearing. Highly recommended for high speeds and quiet operation. These bearings are one of the most cost effective ways to increase roller service life. The radial ABEC bearing is assembled in the outer housing for easy installation. The hex adapter eliminates metal-to-metal contact between the bearing and axle which reduces noise during operation. Rubber contact seals on the internal radial bearing prevent dirt and debris from entering the bearing but increase rotational drag. Effective against small particle dust and debris. Recommended for high speed powered conveyor applications with moderate to light loads.

### Similar Bearings

- 115899-GP is an equivalent unground crimped bearing.
- 102155-GP is an equivalent semi-precision bearing.
- 114135-GP is an equivalent plastic housed ABEC bearing.
- 114621-GP is an equivalent all metal ABEC bearing.
- 115178 is an equivalent plastic bearing.

### Special Notes

Requires tube to be crimped. Not replaceable.

