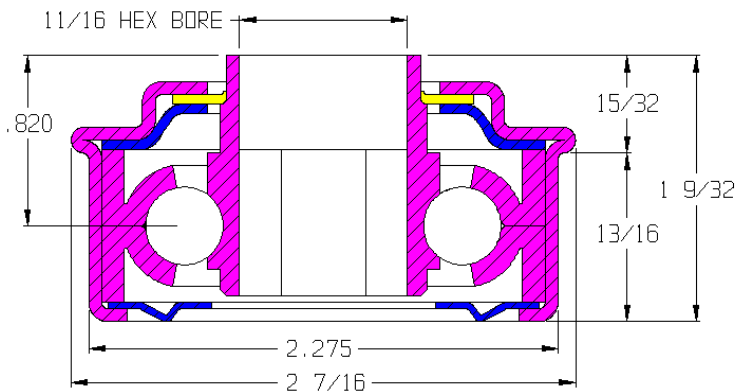


115970-GP

Load Capacity	425 lbs
Temp. Range	-40°F to 250°F

Features

- Unground, non-precision
- Stamped metal construction
- 300 series stainless steel
- 400 series stainless steel balls
- Full ball compliment
- Front polymer seal
- Front and rear shields
- Replaceable
- Grease packed



Application Info

A very good all-around bearing. Recommended for mid-sized loads at slower speeds in wash-down or wet environment. The body of the bearing is made from 300 series stainless steel to prevent rust and corrosion. The balls are made from 400 series stainless steel for tighter tolerances and higher load capacity. A metal shield ring supports a polymer sealing ring to hold out small amounts of large particle debris. Not effective in extremely dusty environments. The bearing is lubricated with grease and can be used in powered applications as well as gravity applications. The grease adds rotational drag and is not recommended for gravity applications with very light products.

Similar Bearings

- 102041-GP is mild steel.
- 114416-GP is an equivalent semi-precision bearing.
- 114237-GP is an equivalent poly-housed ABEC bearing.

Special Notes

- Standard grease is not food grade. Food grade grease available on request.
- 300 series stainless steel is not magnetic.

