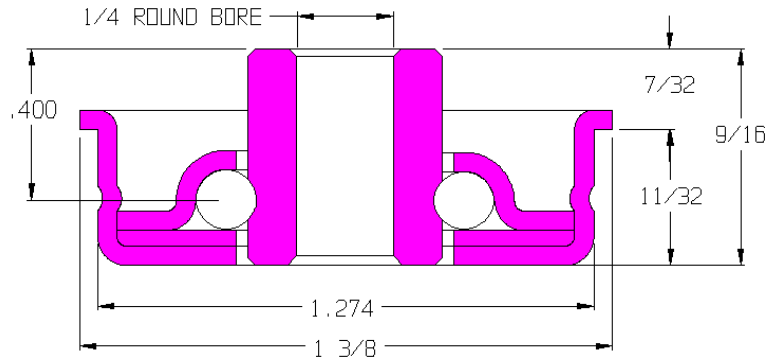


### 115901-O

|               |                |
|---------------|----------------|
| Load Capacity | 47 lbs         |
| Temp. Range   | -20°F to 140°F |
| Max Speed     | 200 rpm        |

#### Features

- Unground, non-precision
- Stamped metal construction
- Zinc plated mild steel
- Full ball compliment
- Lightly oiled



#### Application Info

Light oil offers very little rotational drag making this bearing highly recommended for gravity applications with light products. The lack of seals or shields further reduces drag but offers no protection against dirt and debris. Not recommended for dirty or dusty environments. The light oil is not recommended for powered applications where the bearing is rotating continuously.

#### Similar Bearings

- 111856-O is an identical bearing made from a different manufacturer.
- 111692-O is an equivalent semi-precision bearing.
- 114234-O is an equivalent poly housed ABEC bearing.

#### Special Notes

This is the 2nd most commonly used bearing at Omni.

