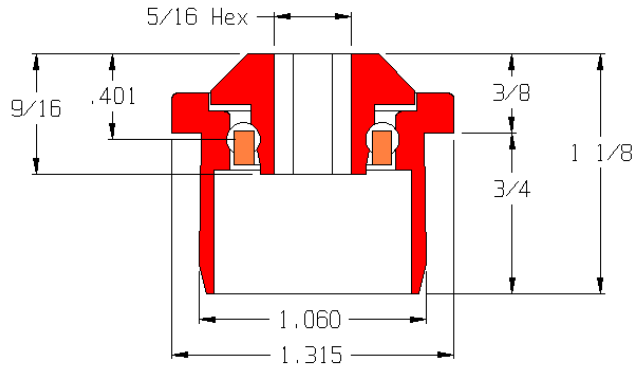


114625

Load Capacity	40 lbs
Temp. Range	-122°F to 212°F

Features

- Molded plastic body
- 420 stainless steel balls
- No lubrication required
- Ball retainer
- Replaceable



Application Info

Designed specifically for 1 SCH 40 PVC. An ideal bearing for wash-down and corrosive applications. No lubrication is required between the metal balls and plastic raceways. Normal operation can be maintained with the bearing completely submerged in fluid. Only light loads and slow speeds are recommended.

