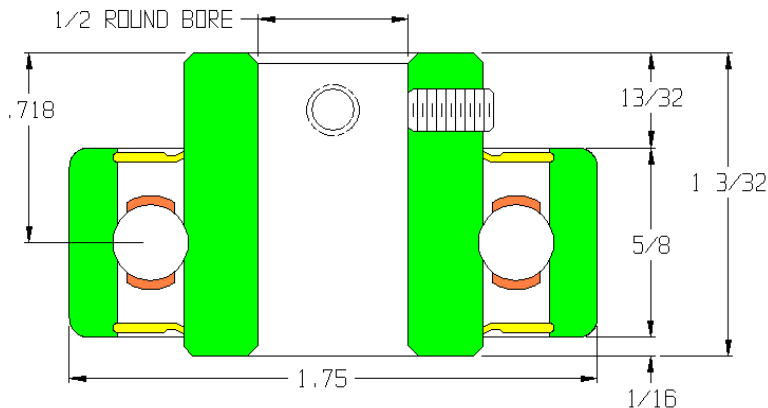


114475-GP

Load Capacity	947 lbs
Temp. Range	-10°F to 225°F

Features

- ABEC-1 precision
- Hardened chrome steel
- Precision ground finish
- Oversized round bore
- Extended inner race with (2) set-screws
- Front and rear seals
- Ball retainer
- Grease packed



Application Info

Recommended for very heavy loads. Set screws lock the bearing to the axle and prevent side-to-side movement, even if roller is mounted vertically. Rubber contact seals protect against dirt and debris but may be damaged by overly abrasive materials. The seal adds rotational drag and is not recommended for gravity applications with light product. Recommended for powered applications where roller resistance is not an issue and the roller is constantly rotating.

Similar Bearings

- 102187-GP has a 5/8 dia. round bore.
- 102186-GP has a 3/4 dia. round bore.

