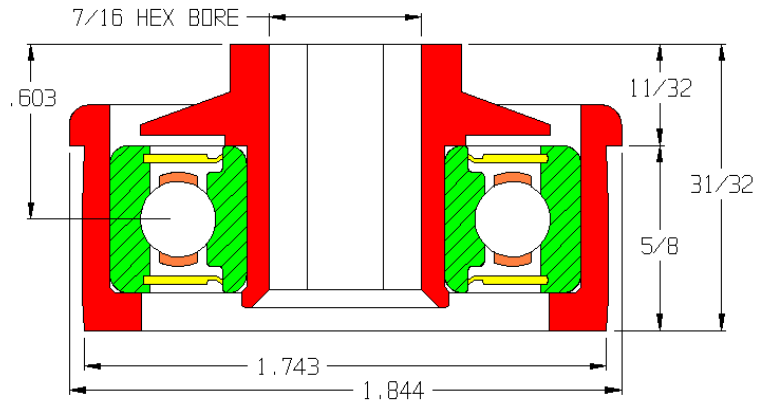


## 114210-GP

Load Capacity	300 lbs
Temp. Range	-10°F to 200°F

### Features

- ABEC-1 precision
- Polypropylene outer housing
- Polypropylene hex adapter
- 440C Stainless steel internal radial bearing
- Ball retainer
- Front and rear seals
- Grease packed



### Application Info

Highly recommended for high speeds and quiet operation in wash-down or wet applications. The internal radial bearing is made from bearing grade stainless steel to prevent rust and corrosion. The bearing is assembled in the outer housing for easy installation. The hex adapter eliminates metal-to-metal contact between the bearing and axle which reduces noise during operation. The radial bearing also includes rubber contact seals for protection against dirt and debris. The seals increase rotational drag and are not recommended for gravity applications. Recommended for high speed powered conveyor applications with moderate to light loads.

### Similar Bearings

- 114209-GP is mild steel.
- 114135-GP is mild steel and shielded.
- 110244-GP is an equivalent semi-precision bearing.
- 115971-GP is an equivalent unground crimped bearing.
- 115178 is an equivalent plastic bearing.

### Special Notes

440C stainless steel is magnetic like mild steel.  
Requires tube to be crimped. Not replaceable.

