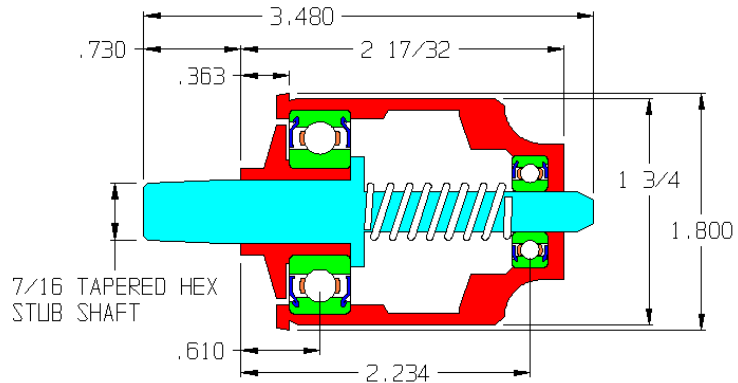


114206-GP

Load Capacity	105 lbs
Temp. Range	-20°F to 200°F

Features

- (2) ABEC-1 precision bearings
- Spring loaded stub axle
- Zinc plated steel, tapered hex shaft
- Polypropylene outer housing
- Mild steel internal radial bearings
- Ball retainers
- Front and rear shields
- Grease packed



Application Info

Designed specifically for quiet operation and replacement rollers, especially in distribution centers. The stub shaft is a tapered hex and spring loaded. The shape allows the shaft to wedge itself into the side frame even if the holes are worn out and enlarged. The spring maintains constant pressure on the shaft to prevent it from bouncing around during operation. This greatly increases the life of the side frame and reduces noise from the roller. The stub shafts also eliminates the need for a through axle which is typically the limiting factor in roller load capacity for long rollers. Although the bearing unit has a relatively low capacity, very long rollers with these bearings tend to have higher overall capacity than similar rollers with through axles.

Similar Bearings

- 115270-GP has a urethane coated tapered hex.
- 115271-GP has a urethane coated straight hex.

