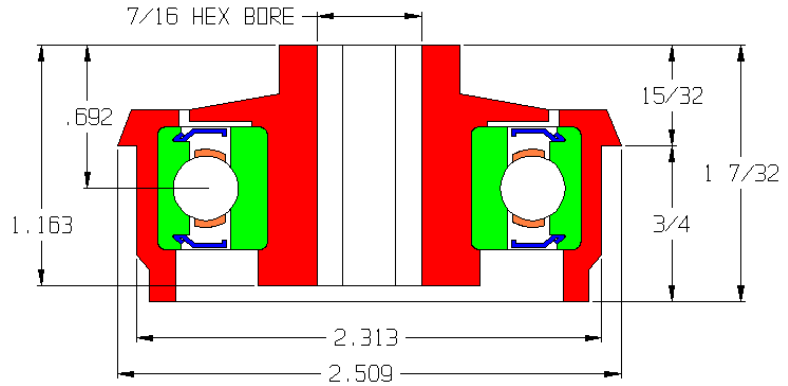


## 114203-GP

Load Capacity	300 lbs
Temp. Range	-20°F to 200°F

### Features

- ABEC-1 precision
- Polypropylene outer housing
- Polypropylene hex adapter
- Mild steel internal radial bearing
- Ball retainer
- Front and rear shields
- Grease packed



### Application Info

Designed specifically for 2.5 OD x 14 ga. tubing. Highly recommended for high speeds and quiet operation. These bearings are one of the most cost effective ways to increase roller service life. The radial ABEC bearing is assembled in the outer housing for easy installation. The hex adapter eliminates metal-to-metal contact between the bearing and axle which reduces noise during operation. The radial bearing includes metal shields for protection against dirt with less rotational drag than rubber seals. Recommended for powered applications and high speeds. The polypropylene housing limits load capacity and is sensitive to heat. Not recommended for heavy loads or high temperatures.

### Similar Bearings

- 114197-GP is sealed.
- 114200-GP has a smaller body OD for 11 ga. tubing.
- 102310 is an equivalent unground adapter assembly.

### Special Notes

Requires tube to be crimped. Not replaceable.

