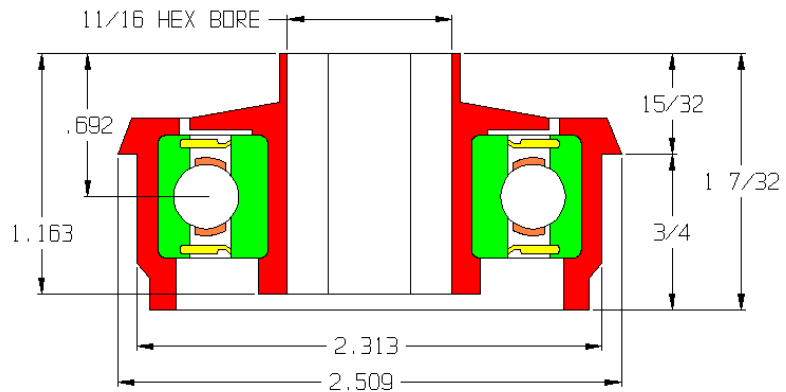


114199-GP

Load Capacity	300 lbs
Temp. Range	-20°F to 200°F

Features

- ABEC-1 precision
- Polypropylene outer housing
- Polypropylene hex adapter
- Mild steel internal radial bearing
- Ball retainer
- Front and rear seals
- Grease packed



Application Info

Designed specifically for 2.5 OD x 14 ga. tubing. Highly recommended for high speeds and quiet operation. These bearings are one of the most cost effective ways to increase roller service life. The radial ABEC bearing is assembled in the outer housing for easy installation. The hex adapter eliminates metal-to-metal contact between the bearing and axle which reduces noise during operation. The radial bearing includes rubber contact seals for protection against dirt and debris. The seals increase rotational drag and are not recommended for gravity applications. Recommended for powered applications and high speeds. The polypropylene housing limits load capacity and is sensitive to heat. Not recommended for heavy loads or high temperatures.

Similar Bearings

- 114205-GP is shielded.
- 114196-GP has a smaller body OD for 11 ga. tubing.

Special Notes

Requires tube to be crimped. Not replaceable.

