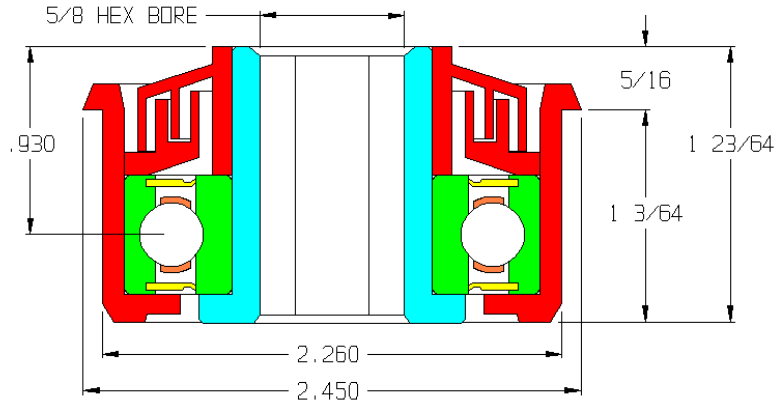


114090-GP

Load Capacity	300 lbs
Temp. Range	10°F to 150°F

Features

- ABEC-1 precision
- Polypropylene outer housing
- Mild steel hex adapter
- Mild steel internal radial bearing
- Ball retainer
- Front and rear seals
- Double-labyrinth shielded housing
- Grease packed



Application Info

Overlapping parts of the bearing housing create a labyrinth shield that helps prevent debris from getting inside the bearing, without creating rotational drag. The internal radial bearing includes additional rubber contact seals for added protection. Recommended for powered applications in dirty environments. The polypropylene housing makes installation easy but limits load capacity and is sensitive to heat. Not recommended for heavy loads or high temperatures.

Similar Bearings

114198-GP has a polypropylene hex adapter and does not have labyrinth shields.
102130-GP is an equivalent unground bearing.

Special Notes

Requires tube to be crimped. Not replaceable.

