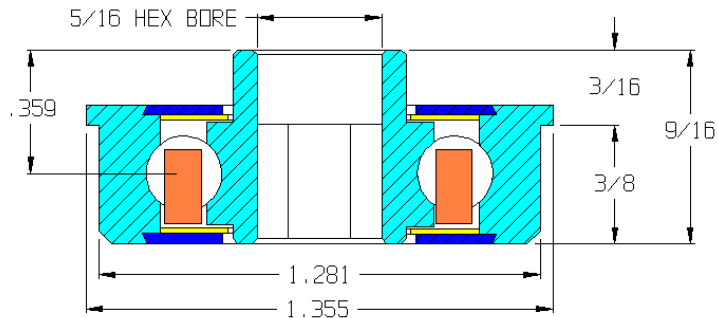


113141-O

Load Capacity	91 lbs
Temp. Range	-20°F to 140°F
Max Speed	1200 rpm

Features

- Semi-Precision
- Machined metal construction
- Knurled body OD
- 316 stainless steel
- Front and rear shields
- Front and rear seals
- Ball retainer
- Replaceable
- Lightly oiled



Application Info

Recommended for medium to heavy loads in wash-down or wet environments. The entire bearing is made from 316 stainless steel to prevent rust and corrosion. 304 stainless steel shields deflect large particle debris and protect sealing rings that block smaller dirt and debris. Not effective against small particle dust. Light oil offers very little rotational drag making this bearing highly recommended for gravity applications with light products.

Similar Bearings

102274-O is plain carbon steel.

Special Notes

Standard grease is not food grade. Food grade grease available on request.
300 series stainless steel is not magnetic.

