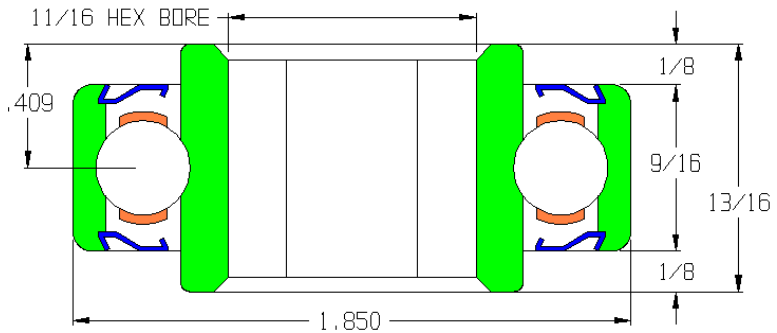


112798-O

Load Capacity	2010 lbs
Temp. Range	-10°F to 225°F

Features

- ABEC-1 precision
- Hardened chrome steel
- Precision ground finish
- Front & rear shields
- Ball retainer
- Replaceable
- Grease packed



Application Info

Recommended for heavy loads in 2 OD gravity rollers. Metal shields deflect large particle debris but are not effective against fine dust. Light oil reduces the force required to spin the roller making this bearing ideal for gravity applications. Not recommended for powered applications where the roller is rotating continuously.

Similar Bearings

102191-GP includes seals and is grease packed.

Special Notes

The smallest available bearing with an 11/16 hex bore.

