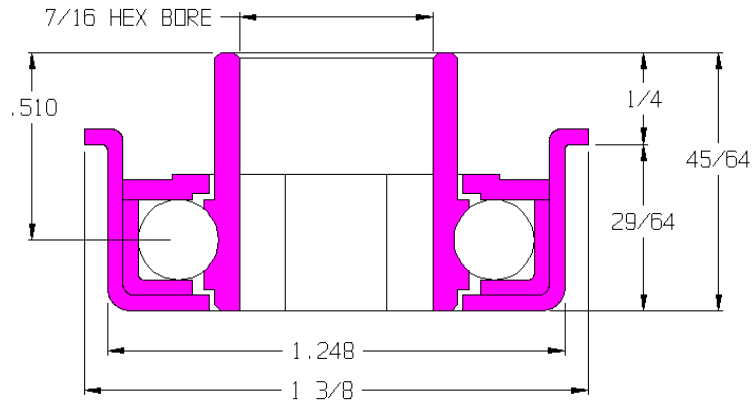


110528-GP

Load Capacity	198 lbs
Temp. Range	-20°F to 350°F

Features

- Unground, non-precision
- Stamped metal construction
- Zinc plated mild steel
- Full ball compliment
- Stamped metal adapter
- Grease packed



Application Info

Recommended for lineshaft and gravity conveyor applications. The lack of seals or shields reduces drag but offers no protection against dirt and debris. Not recommended for dirty or dusty environments. Not recommended for high speeds or CDLR.

Similar Bearings

110528-O is lightly oiled.

