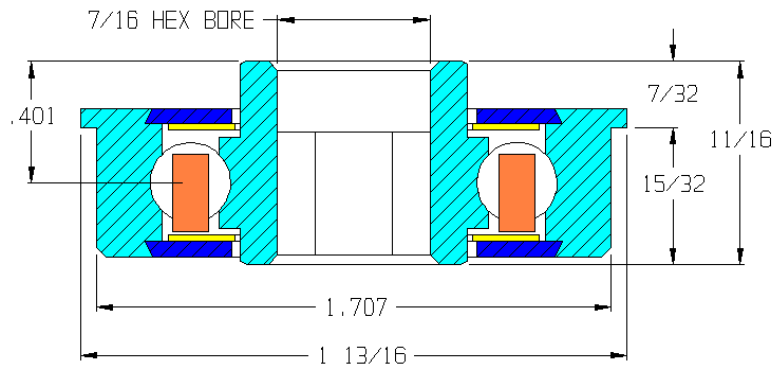


110244-GP

Load Capacity	142 lbs
Temp. Range	-20°F to 220°F
Max Speed	1200 rpm

Features

- Semi-Precision
- Machined metal construction
- Knurled body OD
- 316 stainless steel
- Front and rear shields
- Front and rear seals
- Ball retainer
- Replaceable
- Grease packed



Application Info

Recommended for medium to heavy loads in wash-down or wet environments. The entire bearing is made from 316 stainless steel to prevent rust and corrosion. 304 stainless steel shields deflect large particle debris and protect sealing rings that block smaller dirt and debris. Not effective against small particle dust. Grease keeps this bearing lubricated for continuous use but increases the rotational drag. Not recommended for gravity applications with light products.

Similar Bearings

102155-GP is plain carbon steel with a longer extension.
114210-GP is a poly-housed ABEC equivalent.

Special Notes

Standard grease is not food grade. Food grade grease available on request.
300 series stainless steel is not magnetic.

