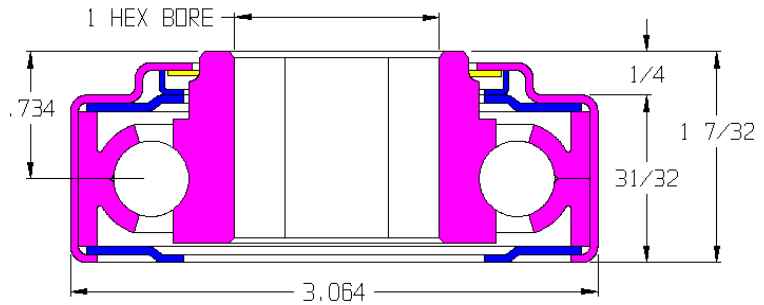


102314-GP

Load Capacity	603 lbs
Temp. Range	-40°F to 250°F

Features

- Unground, non-precision
- Stamped metal construction
- Zinc plated mild steel
- Full ball compliment
- Front polymer seal
- Front and rear shields
- Replaceable
- Grease packed



Application Info

Recommended for slow speed powered conveyor and gravity conveyor applications. Not recommended for high speeds. A metal shield ring supports a polymer sealing ring to hold out small amounts of large particle debris. Not recommended for extremely dusty environments.

Similar Bearings

102061-GP has a 1-1/16 hex bore.

102162-O is lightly oiled and has a slightly larger body OD but fits in most of the same size tubes.

