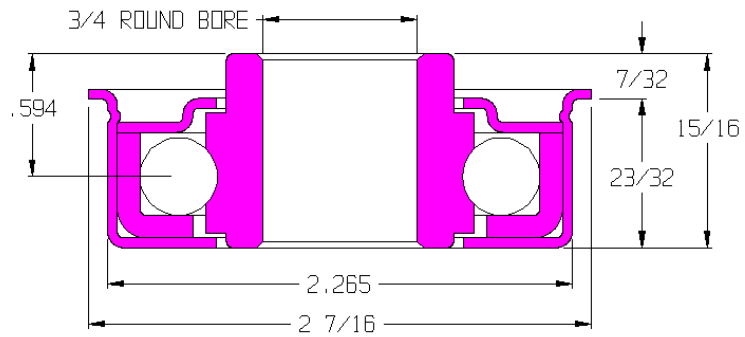


102273-GP

Load Capacity	425 lbs
Temp. Range	-20°F to 350°F

Features

- Unground, non-precision
- Stamped metal construction
- Zinc plated mild steel
- Full ball compliment
- Replaceable
- Grease packed



Application Info

Recommended for slow powered applications and gravity conveyor applications with heavy loads. The lack of seals or shields reduces drag but offers no protection against dirt and debris. Not recommended for dirty or dusty environments. Not recommended for high speeds or CDLR.

Similar Bearings

- 110658-GP has a 5/8 dia. round bore.
- 102164-GP has an 11/16 hex bore.
- 102268-GP has a 3/4 hex bore.

