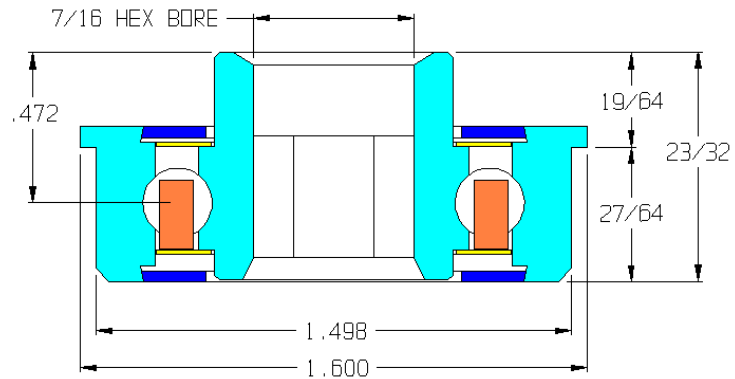


102251-O

Load Capacity	302 lbs
Temp. Range	-20°F to 140°F
Max Speed	1200 rpm

Features

- Semi-Precision
- Machined metal construction
- Knurled body OD
- Heat treated mild steel
- Front and rear shields
- Front and rear seals
- Ball retainer
- Replaceable
- Lightly oiled



Application Info

Recommended for medium to heavy loads in dirty environments. Metal shields deflect large particle debris and protect sealing rings that block smaller dirt and debris. Not effective against small particle dust. Light oil offers very little rotational drag making this bearing highly recommended for gravity applications with light products.

Similar Bearings

- 102251-GP is grease packed.
- 102052-O is an equivalent unground bearing.
- 114235-GP is an equivalent poly-housed ABEC bearing.

