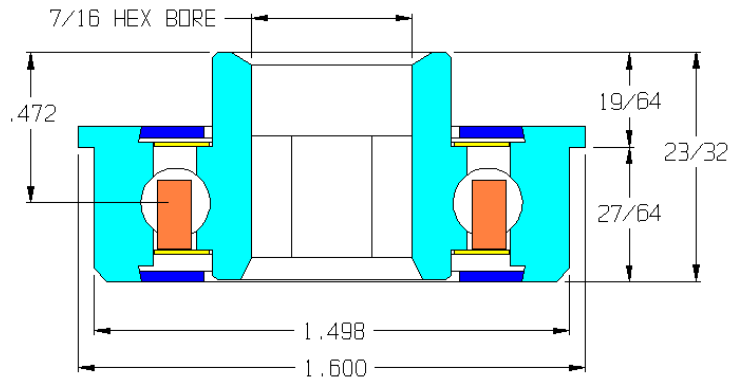


## 102251-GP

Load Capacity	302 lbs
Temp. Range	-20°F to 220°F
Max Speed	1200 rpm

### Features

- Semi-Precision
- Machined metal construction
- Knurled body OD
- Heat treated mild steel
- Front and rear shields
- Front and rear seals
- Ball retainer
- Replaceable
- Grease packed



### Application Info

Recommended for medium to heavy loads in dirty environments. Metal shields deflect large particle debris and protect sealing rings that block smaller dirt and debris. Not effective against small particle dust. Grease keeps this bearing lubricated for continuous use but increases the rotational drag. Not recommended for gravity applications with light products.

### Similar Bearings

- 102251-O is lightly oiled.
- 113870-GP is made from stainless steel.
- 102053-GP is an equivalent unground bearing.
- 114235-GP is an equivalent poly-housed ABEC bearing.

