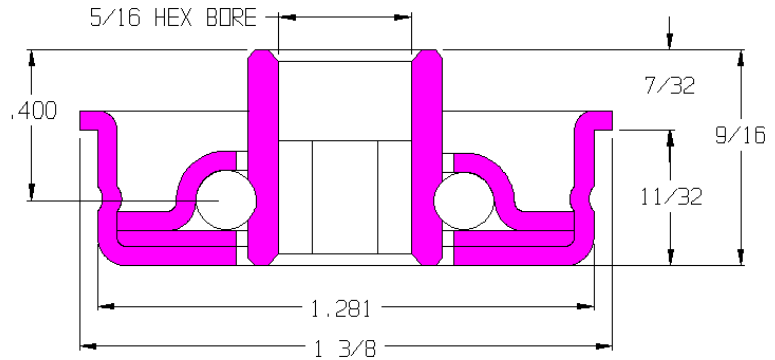


102228-GP

Load Capacity	60 lbs
Temp. Range	-20°F to 350°F
Max Speed	200 rpm

Features

- Unground, non-precision
- Stamped metal construction
- Zinc plated mild steel
- Full ball compliment
- Grease packed



Application Info

Grease lubricates the bearing so it is recommended for lineshaft applications as well as gravity applications. The grease creates rotational drag so it is not recommended for extremely light weight gravity applications. The lack of seals or shields reduces drag but offers no protection against dirt and debris. Not recommended for dirty or dusty environments. Not recommended for high speeds.

Similar Bearings

- 102228-O is lightly oiled.
- 111692-GP is an equivalent semi-precision bearing.
- 114231-GP is an equivalent poly housed ABEC bearing.

