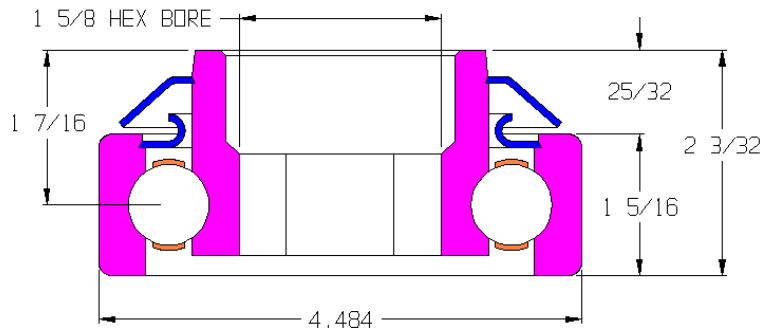


102202-O

Load Capacity	4000 lbs
---------------	----------

Features

- Unground, Non-Precision
- Stamped metal construction
- Zinc plated mild steel
- Front labyrinth shield
- Ball retainer
- Replaceable
- Lightly oiled

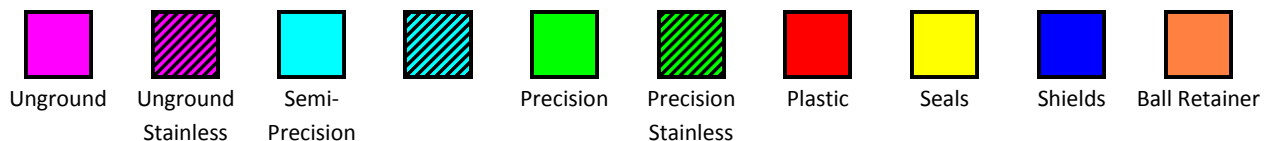


Application Info

Light oil offers very little rotational drag making this bearing excellent for gravity applications. A metal shield overlaps part of the bearing housing to create a labyrinth shield that helps prevent debris from getting inside the bearing, without creating rotational drag. This is most effective against large debris in small amounts. Not recommended for very dusty environments. The light oil is not recommended for powered applications where the bearing is rotating continuously.

Special Notes

This bearing should only be used at the customer's specific request. If possible, a different axle size is recommended so that a higher quality, bearing can be used.



Semi-
Precision
Stainless