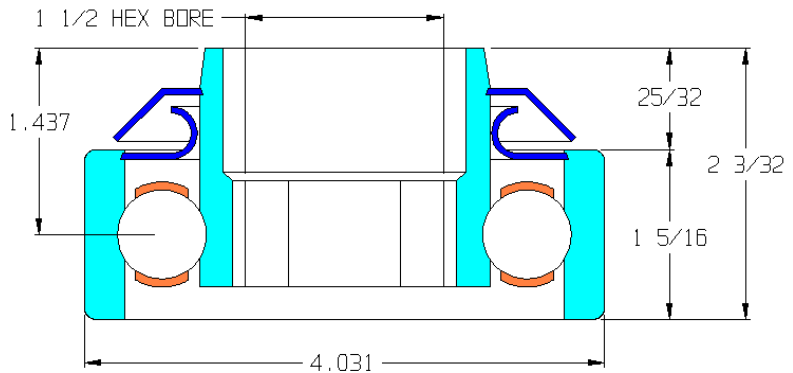


102201-O

Load Capacity	3800 lbs
Temp. Range	-20°F to 140°F

Features

- Semi-Precision
- Machined metal construction
- Front shield
- Ball retainer
- Replaceable
- Lightly oiled



Application Info

Light oil offers very little rotational drag making this bearing excellent for gravity applications. A metal shield overlaps part of the bearing housing to create a labyrinth shield that helps prevent debris from getting inside the bearing, without creating rotational drag. This is most effective against large debris in small amounts. Not recommended for very dusty environments. The light oil is not recommended for powered applications where the bearing is rotating continuously.

Similar Bearings

102320-GP is an equivalent grease packed bearing.

Special Notes

102320-GP is preferred over this bearing because it is grease packed and has higher quality construction. This bearing should only be used at the customer's specific request.

