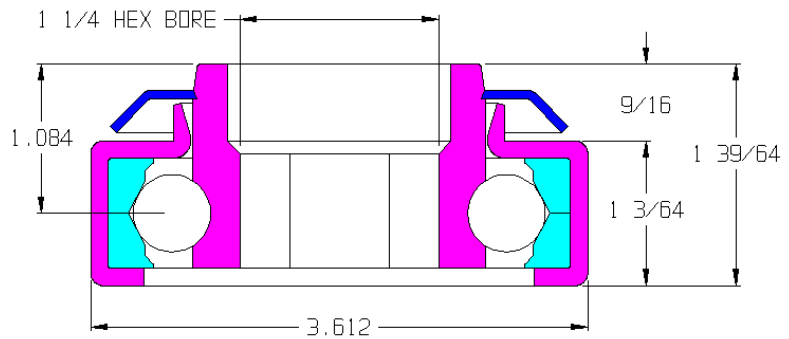


102200-O

Load Capacity 1800 lbs
 Temp. Range -20°F to 140°F

Features

- Unground, non-precision
- Stamped metal construction
- Machined outer race
- Zinc plated mild steel
- Full ball compliment
- Front shield
- Replaceable
- Lightly oiled



Application Info

Light oil offers very little rotational drag making this bearing excellent for gravity applications. A metal shield overlaps part of the bearing housing to create a labyrinth shield that helps prevent debris from getting inside the bearing, without creating rotational drag. This is most effective against large debris in small amounts. Not recommended for very dusty environments. The light oil is not recommended for powered applications where the bearing is rotating continuously. A machined outer raceway creates a higher load capacity than similar bearings with stamped raceways.

