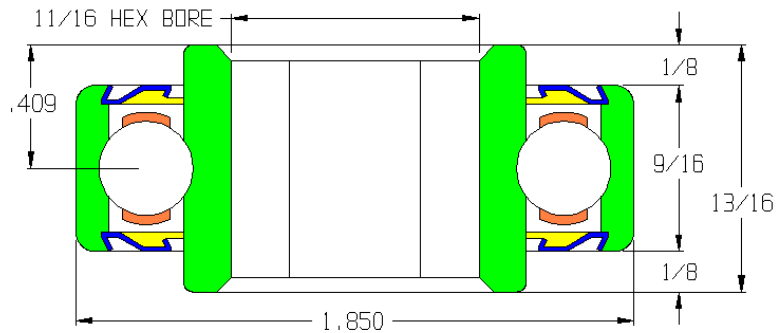


102191-GP

Load Capacity	2010 lbs
Temp. Range	-10°F to 225°F

Features

- ABEC-1 Precision
- Hardened chrome steel
- Precision ground finish
- Front & rear shields
- Front & rear seals
- Ball retainer
- Replaceable
- Grease packed



Application Info

Recommended for heavy loads in 2 OD rollers. Metal shields deflect large particle debris and protect a rubber contact seal that is very effective against fine dust and other small particle debris. The seal adds rotational drag and is not recommended for gravity applications with light product. Recommended for powered applications where roller resistance is not an issue and the roller is constantly rotating.

Similar Bearings

112798-O is oiled and only included shields.

Special Notes

This is the smallest available bearing with an 11/16 hex bore.

