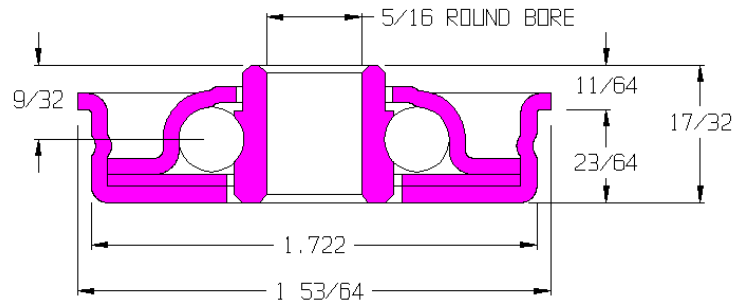


102185-O

Load Capacity	135 lbs
Temp. Range	-20°F to 140°F
Max Speed	200 rpm

Features

- Unground, Non-Precision
- Stamped metal construction
- Zinc plated mild steel
- Lightly oiled



Application Info

Light oil offers very little rotational drag making this bearing excellent for gravity applications. The small bore size limits this bearing to very light-duty applications. Not recommended for moderate to heavy loads. The lack of seals or shields further reduces drag but offers no protection against dirt and debris. Not recommended for dirty or dusty environments. The light oil is not recommended for powered applications where the bearing is rotating continuously.

Similar Bearings

102259-O has a slightly smaller body OD but will fit in the same tubes.

