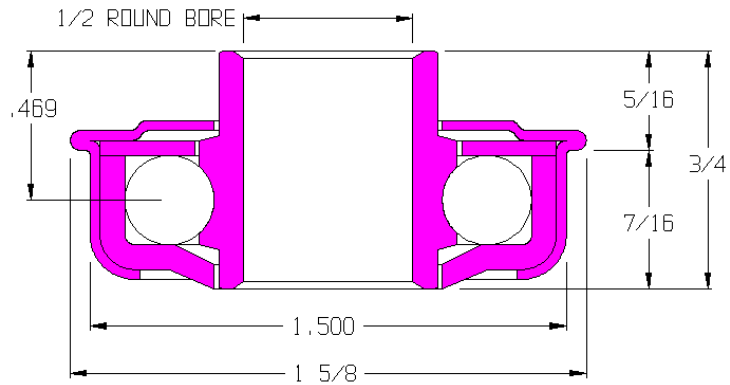


102181-GP

Load Capacity	145 lbs
Temp. Range	-40°F to 300°F

Features

- Unground, non-precision
- Stamped metal construction
- Zinc plated mild steel
- Full ball complement
- Replaceable
- Grease packed



Application Info

Recommended for slow speed powered conveyor and gravity conveyor applications. The lack of seals or shields reduces drag but offers no protection against dirt and debris. Not recommended for dirty or dusty environments. Not recommended for high speeds or CDLR.

Similar Bearings

- 102053-GP has a 7/16 hex bore and seals.
- 102180-GP has a 3/8 hex bore.
- 44836-GP has an adapter for 2-1/4 OD tubes.
- 44837-GP has an adapter for 2-1/2 OD tubes.

