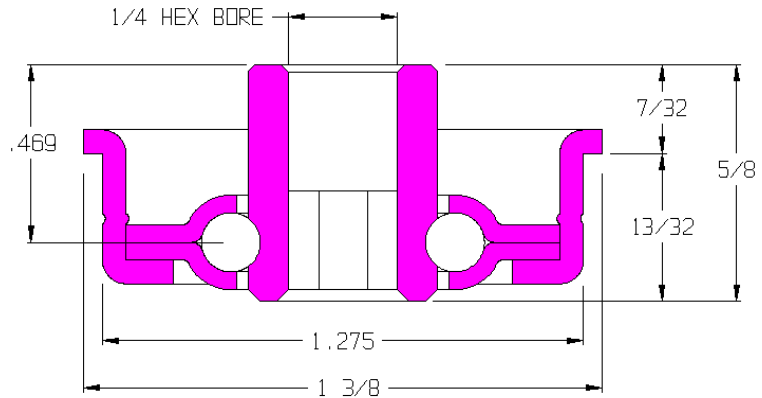


102178-O

Load Capacity	47 lbs
Temp. Range	-40°F to 140°F
Max Speed	200 rpm

Features

- Unground, non-precision
- Stamped metal construction
- Zinc plated mild steel
- Full ball compliment
- Lightly oiled



Application Info

Light oil offers very little rotational drag making this bearing highly recommended for gravity applications with light products. The lack of seals or shields further reduces drag but offers no protection against dirt and debris. Not recommended for dirty or dusty environments. The light oil is not recommended for powered applications where the bearing is rotating continuously.

Similar Bearings

102228-O has a 5/16 hex bore.

