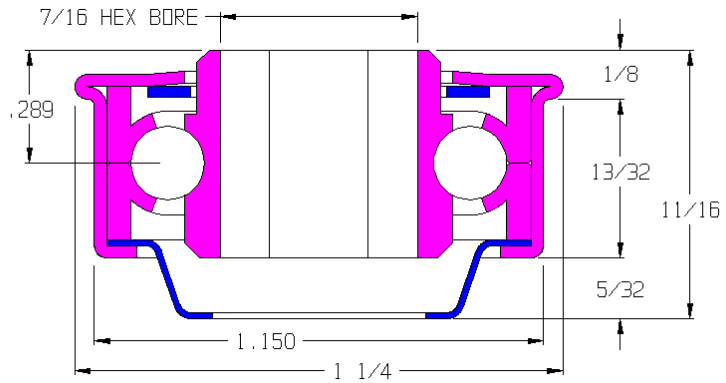


102177-O

| | |
|---------------|----------------|
| Load Capacity | 75 lbs |
| Temp. Range | -40°F to 140°F |

Features

- Unground, Non-Precision
- Stamped metal construction
- Zinc plated mild steel
- Front & rear shields
- Replaceable
- Grease packed



Application Info

Metal shields deflect large particle debris but are not effective against fine dust. Light oil reduces the force required to spin the roller making this bearing ideal for gravity applications. Not recommended for powered applications where the roller is rotating continuously.

Similar Bearings

102126-O is not shielded.

