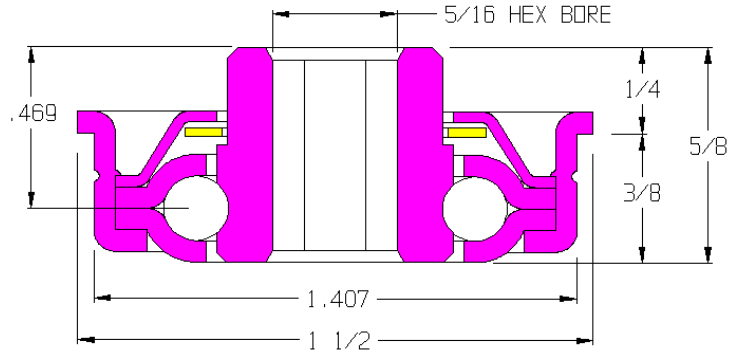


102175-O

Load Capacity	75 lbs
Temp. Range	-40°F to 140°F

Features

- Unground, non-precision
- Stamped metal construction
- Zinc plated mild steel
- Full ball compliment
- Front seal
- Lightly oiled



Application Info

Light oil offers very little rotational drag making this bearing highly recommended for gravity applications with light products. A polymer sealing ring holds out large particle debris but is not effective against heavy dust and small particles. The light oil is not recommended for powered applications where the bearing is rotating continuously.

Similar Bearings

102175-GP is grease packed.

