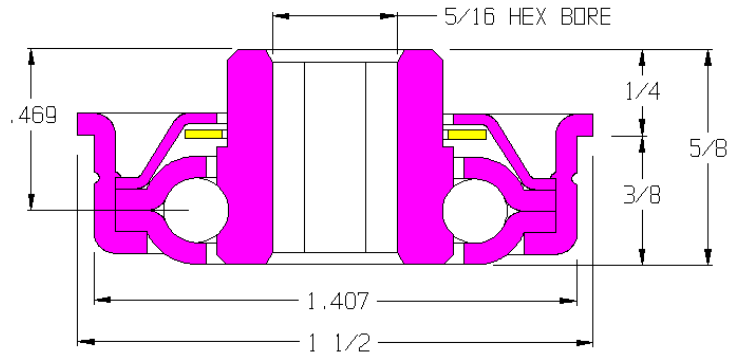


102175-GP

Load Capacity	75 lbs
Temp. Range	-40°F to 250°F

Features

- Unground, non-precision
- Stamped metal construction
- Zinc plated mild steel
- Full ball compliment
- Front seal
- Grease packed



Application Info

Grease lubricates the bearing so it is recommended for lineshaft applications as well as gravity applications. The grease creates rotational drag so it is not recommended for extremely light weight gravity applications. A polymer sealing ring holds out large particle debris but is not effective against heavy dust and small particles. Not recommended for high speeds or CDLR.

Similar Bearings

102175-O is lightly oiled.

