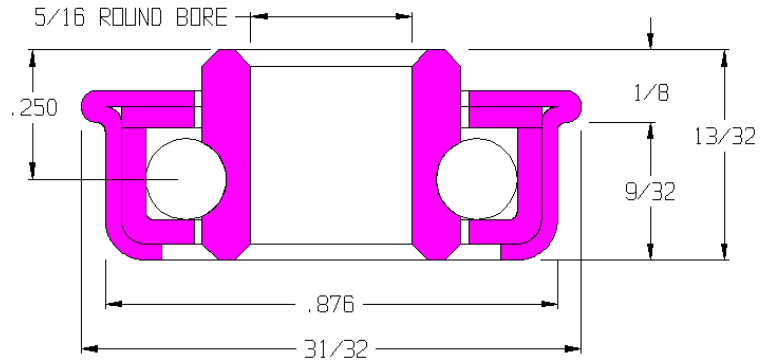


102170-O

Load Capacity	40 lbs
Temp. Range	-40°F to 140°F

Features

- Unground, Non-Precision
- Stamped metal construction
- Zinc plated mild steel
- Replaceable
- Lightly oiled



Application Info

Light oil offers very little rotational drag making this bearing excellent for gravity applications. The lack of seals or shields further reduces drag but offers no protection against dirt and debris. Not recommended for dirty or dusty environments. The light oil is not recommended for powered applications where the bearing is rotating continuously.

Similar Bearings

102272-O is the same bearing from a different vendor.

Special Notes

102272-O is preferred over this bearing because it is kept in stock. This bearing should only be used if there is no stock of 102272-O.

