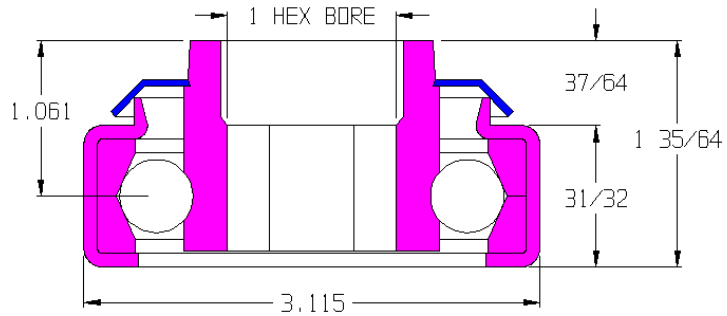


102162-O

Load Capacity	1000 lbs
---------------	----------

Features

- Unground, Non-Precision
- Stamped metal construction
- Zinc plated mild steel
- Front labyrinth shield
- Replaceable
- Lightly oiled



Application Info

Light oil offers very little rotational drag making this bearing excellent for gravity applications. A metal shield overlaps part of the bearing housing to create a labyrinth shield that helps prevent debris from getting inside the bearing, without creating rotational drag. This is most effective against large debris in small amounts. Not recommended for very dusty environments. The light oil is not recommended for powered applications where the bearing is rotating continuously.

Similar Bearings

102314-GP is an equivalent grease packed bearing.

