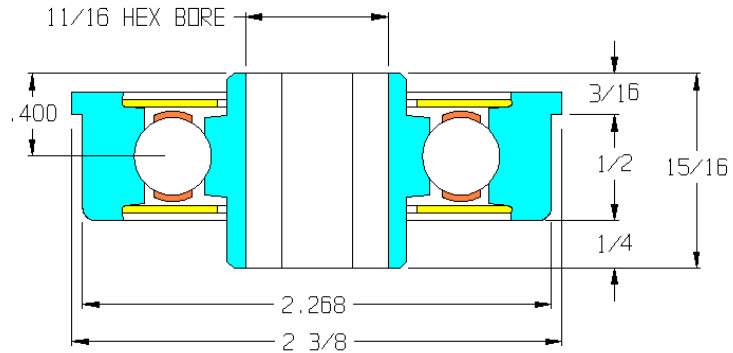


102139-GP

Load Capacity	1113 lbs
Temp. Range	-30°F to 260°F

Features

- Semi-Precision
- Machined metal construction
- Heat treated mild steel
- Front and rear seals
- Ball retainer
- Replaceable
- Grease packed



Application Info

Recommended for heavy loads in moderately dirty environments. Rubber contact seals protect against dirt and debris but may be damaged by overly abrasive materials. The seals add rotational drag and are not recommended for gravity applications with light product. Recommended for powered applications where roller resistance is not an issue and the roller is constantly rotating.

Similar Bearings

102041-GP is an unground equivalent.
114128-GP is an all metal ABEC equivalent.

