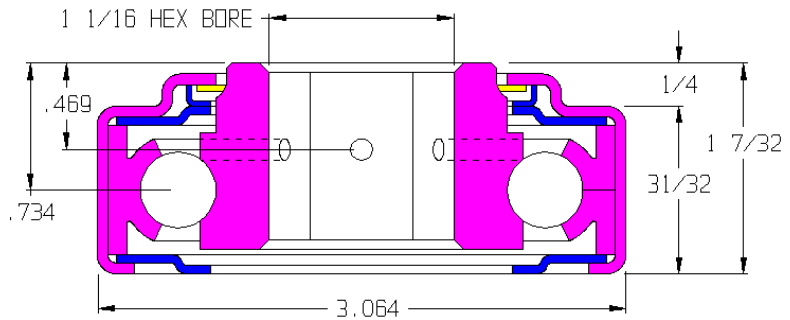


102086-GP

Load Capacity	603 lbs
Temp. Range	-40°F to 250°F

Features

- Unground, non-precision
- Stamped metal construction
- Zinc plated mild steel
- Full ball compliment
- Front polymer seal
- Front and rear shields
- Replaceable
- Grease packed
- Regreaseable



Application Info

Recommended for slow speed powered conveyor and gravity conveyor applications. Not recommended for high speeds. A metal shield ring supports a polymer sealing ring to hold out small amounts of large particle debris. Holes through the inner race allows the bearing to be regreased through the axle. Bearings that are regularly regreased can withstand very high levels of debris without damage.

Similar Bearings

- 102060-GP does not have seals or shields.
- 102061-GP is sealed but not regreaseable.
- 102101-GP is an equivalent semi-precision bearing.
- 114249-GP is an equivalent ABEC bearing.

