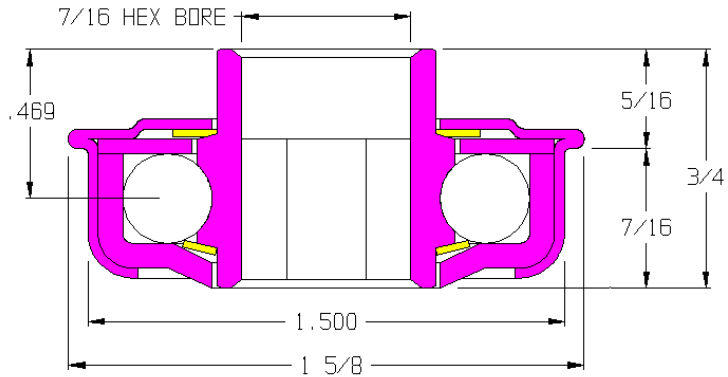


102053-GP

Load Capacity	145 lbs
Temp. Range	-40°F to 250°F

Features

- Unground, non-precision
- Stamped metal construction
- Zinc plated mild steel
- Full ball compliment
- Front and rear seals
- Replaceable
- Grease packed



Application Info

Grease keeps this bearing lubricated for continuous use but increases the rotational drag. Recommended for light-duty, belt powered applications or gravity applications. A polymer sealing ring holds out large particle debris but is not effective against a lot of dust or fine particle dust. Not recommended for high speeds or CDLR.

Similar Bearings

- 102052-O is lightly oiled and not sealed.
- 102310 has an adapter for a 2-1/2 OD tube.
- 102312 has an adapter for a 2-1/4 OD tube.

