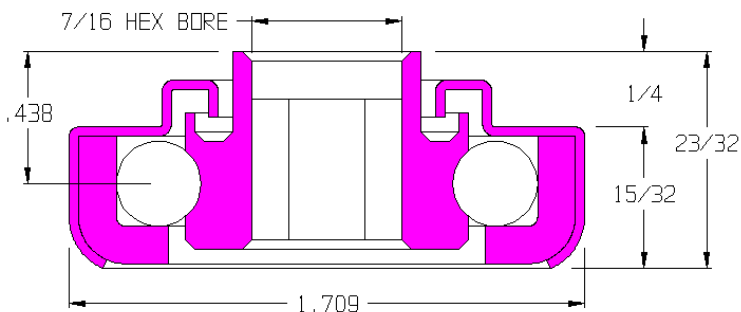


102051-GP

Load Capacity	150 lbs
Temp. Range	-40°F to 300°F

Features

- Unground, non-precision
- Stamped metal construction
- Zinc plated mild steel
- Full ball compliment
- Front labyrinth shield
- Replaceable
- Grease packed



Application Info

Recommended for slow powered conveyor and gravity conveyor applications. Not recommended for high speeds. Overlapping parts of the bearing housing create a labyrinth shield that helps prevent debris from getting inside the bearing, without creating rotational drag. This is most effective against large debris in small amounts. Large amounts of debris can get lodged in the labyrinth, especially when moisture is present. Not recommended for dusty environments.

Similar Bearings

- 102051-O is lightly oiled.
- 102042-GP does not have a labyrinth shield.
- 102155-GP is an equivalent semi-precision bearing.
- 114621-GP is an equivalent all metal ABEC bearing.

