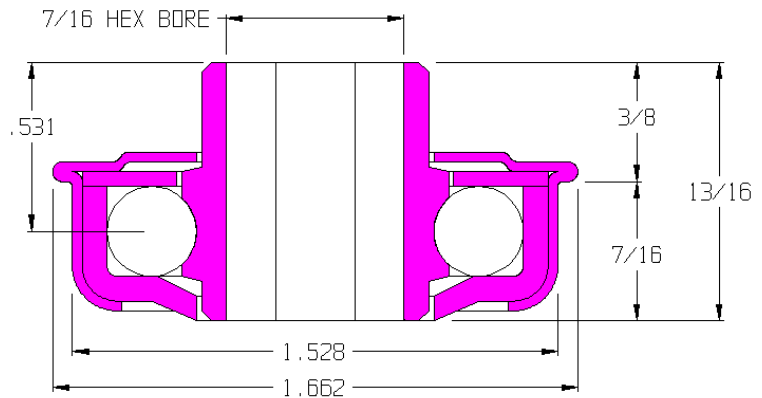


102031-GP

Load Capacity	145 lbs
Temp. Range	-40°F to 300°F

Features

- Unground, Non-Precision
- Stamped metal construction
- Zinc plated mild steel
- Replaceable
- Grease packed



Application Info

Recommended for slow powered applications and gravity conveyor applications. The lack of seals or shields reduces drag but offers no protection against dirt and debris. Not recommended for dirty or dusty environments. Not recommended for high speeds or CDLR.

Similar Bearings

- 102031-O is lightly oiled.
- 102053-GP is sealed but has a slightly smaller body OD.
- 102251-GP is an equivalent semi-precision bearing.
- 114235-GP is an equivalent poly housed ABEC bearing.

