

## SQUARE ROLLER SETTLING CONVEYOR



2" square rollers

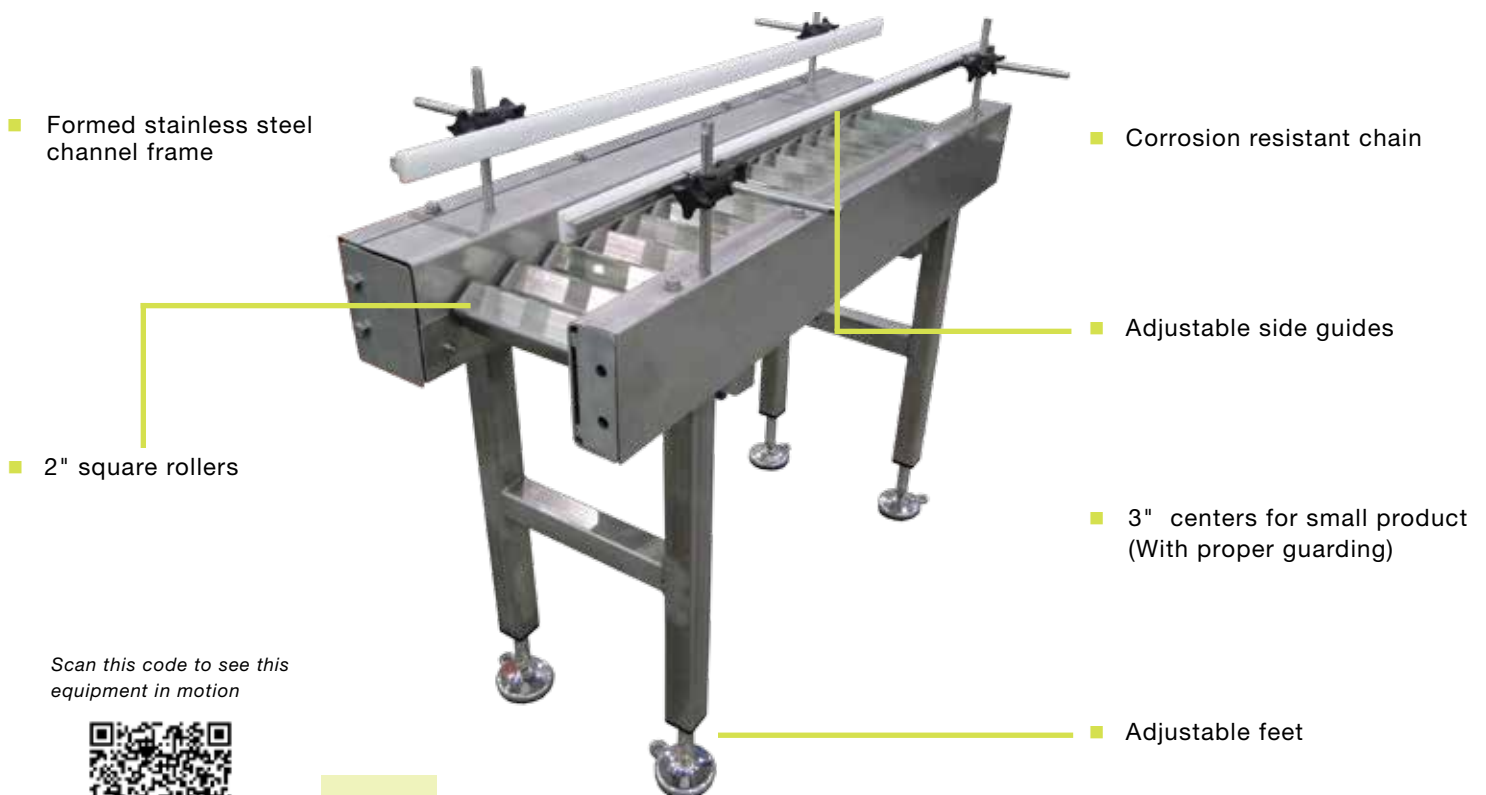
**THE APPLICATION:** Settling Packaged Fruit Snacks in an Open Box

**THE PRODUCT:** Stainless Steel Chain Driven Live Roller Conveyor with Square Rollers

**THE INDUSTRY:** Food Processing

**THE NEED:** A food manufacturer needed a way to settle pouches of fruit snacks in a box. The conveyor was located near food preparation so it also needed to be easy to clean and corrosion resistant.

**THE SOLUTION:** Omni Metalcraft Corp. provided a Stainless Steel, Corrosion Resistant Chain Driven Live Roller Conveyor with Square Rollers. The boxes conveyed against a stop. Due to the square rollers, the box vibrated settling the product.



Scan this code to see this equipment in motion



**Omni Metalcraft** corp.

P.O. Box 352 ■ Alpena, Michigan 49707  
Phone 989.358.7000  
Fax 989.358.7020  
info@omni.com  
www.omni.com