

# STANDARD PRODUCTS C A T A L O G



**OmniMetalcraft** corp.

# FOCUSED ON YOUR SUCCESS



For over three decades, Omni Metalcraft Corp. has provided an extensive offering of conveyors and rollers to meet the specific needs of industrial and material handling distributors. Competitive pricing, quick lead times and commitment to quality in our products and processes are foundational elements of our reputation and success with our customers.

The Standard Products Catalog embodies an impressive showcase of typical conveyors used in the material handling industry, while offering a wider range of lengths, widths and accessories than the competition.

At Omni, we have a great sense of pride in the products we offer, but our greatest pride comes from helping our customers become more successful. We feel that individual service from qualified staff, quick response time and ease of doing business are of utmost importance in a fast-paced, evolving marketplace, where our equipment and services are available at the speed of your business.



# TABLE OF CONTENTS

<b>Belt Driven Live Roller Conveyor</b>	<b>7</b>
Straight	
Curve	
Straight and Curve Spur	
Optional Equipment and Devices	
<b>Belt Conveyor</b>	<b>17</b>
Bolt-Together Straight	
Bolt-Together Incline/Decline	
Optional Equipment and Devices	
Welded Straight	
Optional Equipment and Devices	
Belt Curve	
Optional Equipment and Devices	
<b>Chain Driven Live Roller Conveyor</b>	<b>33</b>
Straight	
Curve	
Optional Equipment and Devices	
<b>Chain Conveyor</b>	<b>41</b>
Chain Conveyor	
Optional Equipment and Devices	
<b>Chain Transfer</b>	<b>47</b>
Chain Transfer	
Optional Equipment and Devices	
<b>Gravity Conveyor</b>	<b>51</b>
Gravity Roller Conveyor	
Straight	
Curve	
Straight and Curve Spur	
Gravity Roller Conveyor - Welded Construction	
Straight	
Curve	
Gravity Skatewheel Conveyor	
Straight	
Curve	
Straight and Curve Spur	
Gravity Flowrail	
Wheels	
Ball Transfer Table	
Supports	
Optional Equipment and Devices	
Mounting Hardware	
<b>Lineshaft Driven Roller Conveyor</b>	<b>77</b>
Straight	
Curve	
Straight Spur	
Optional Equipment and Devices	
<b>Plastic Belt Conveyor</b>	<b>89</b>
Straight	
Curve	
Optional Equipment and Devices	
<b>Scissor Lifts</b>	<b>97</b>
Shop Aid Scissor Lifts	
Heavy Duty, Extra Heavy Duty Series Hydraulic Scissor Lifts	
Heavy Duty Series Tandem Scissor Lifts	
Pneumatic Series Scissor Lifts - Fixed Bag	
Multi-Tier Scissor Lifts	
Floor Load Series Scissor Lifts	
Optional Equipment and Devices	
<b>Turntables</b>	<b>107</b>
Power Turntable	
Manual Turntable	
Low Profile Manual Turntable	
Optional Equipment and Devices	
<b>Omni Standard Colors</b>	<b>111</b>





# BELT DRIVEN LIVE ROLLER CONVEYOR

## SECTION CONTENT

Straight

Curve

Straight and Curve Spur

Optional Equipment and Devices



# BDLR BELT DRIVEN LIVE ROLLER CONVEYOR

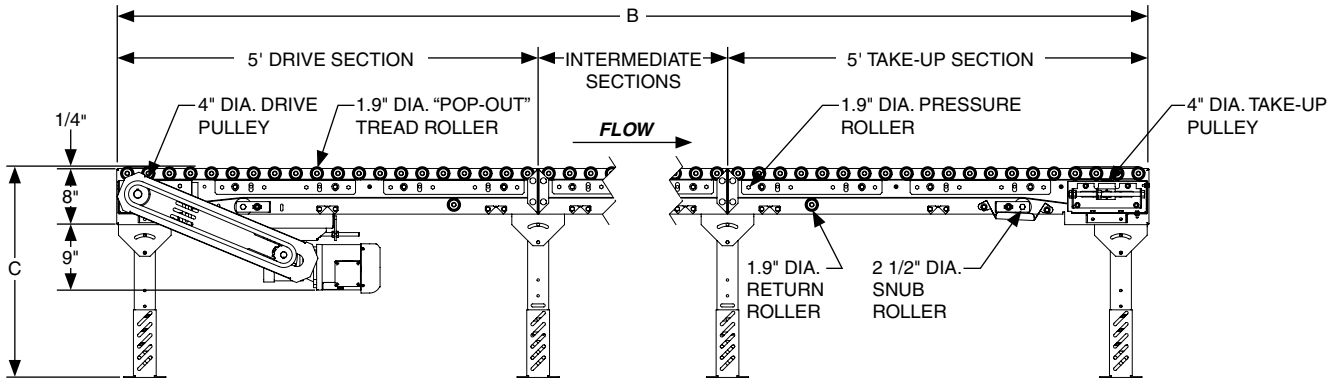


## WHY BDLR?

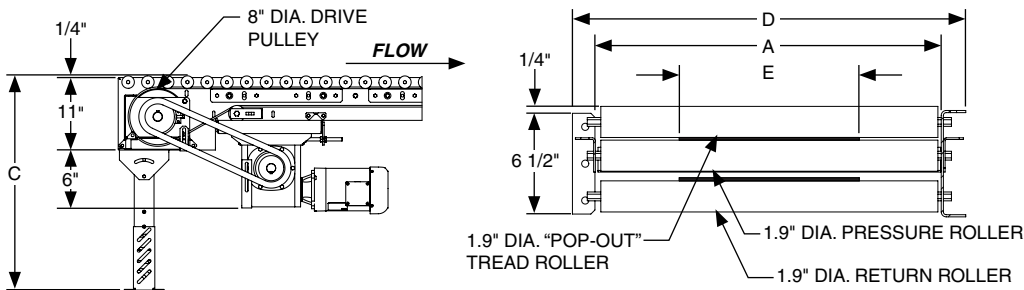
- Higher load capacities than typical lineshaft conveyor
- Capable of handling products wider than the frame width
- Minimum back pressure available
- Up to 102 linear feet using a single drive
- Close roller centers are easily achieved
- Common applications include accumulation to feed lanes for palletizing, packaging and assembly

## BELT DRIVEN LIVE ROLLER CONVEYOR - STRAIGHT

### 4" END DRIVE



### 8" END DRIVE

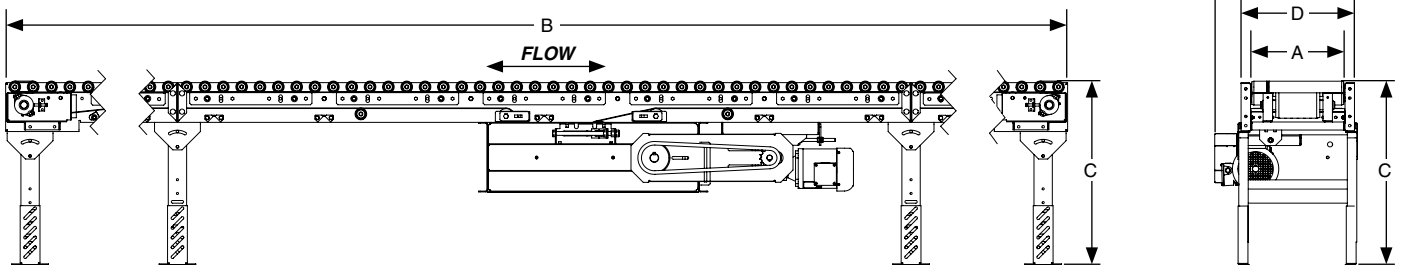


1.9"			
End Drive			Center Drive
4" Shaft Mount	8" Shaft Mount	4" and 8" Underhung	Underhung
A 13" - 39"			
B 5' - 102'			
C 15" - 89"	18" - 89"	21" - 89"	22.5" - 89"
D A + 3"			
E 6", 12"			
F A + 10 3/4" or 12 1/2"*** A + 7 1/2" A + 7 1/4"			

\*6" Belt on 13" - 30" BF and 12" Belt on 32" - 39" BF  
 \*\*\*Dependent on reducer size

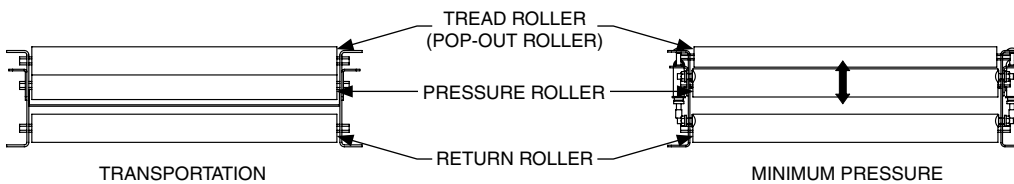
A = Between Frame (BF) (1" Increments)  
 B = Overall Length (OAL) (Any Increment)  
 C = Top of Roller (TOR)  
 D = Overall Width (OAW)  
 E = Belt Width  
 F = Overall Drive Width

### 8" CENTER DRIVE



Underhung drive shown

## BELT DRIVEN LIVE ROLLER CONVEYOR - MINIMUM PRESSURE



Additional adjustment for transporting product and accumulating with minimum pressure between products

Thumb screw adjustment enables user to "fine-tune" pressure roller driving force and accumulate product with minimum back pressure



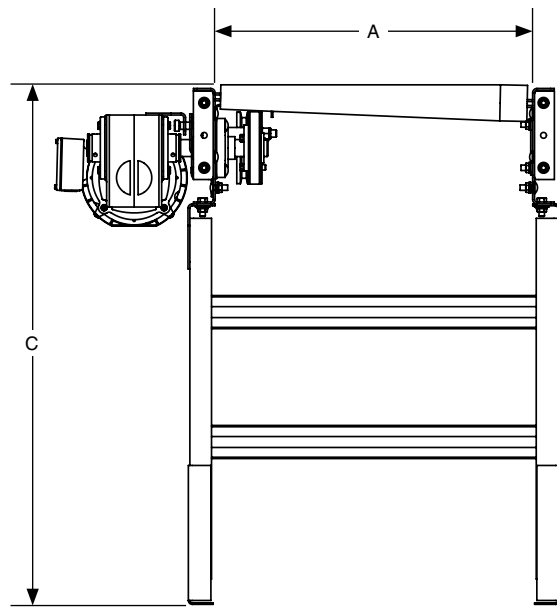
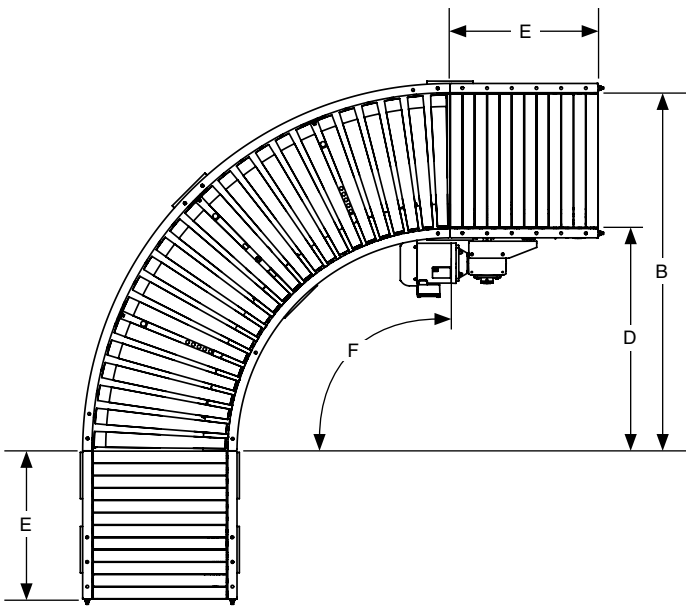
# V-BELT DRIVEN LIVE ROLLER - CURVE



	1.9"	
	Shaft Mount	Underhung
A	13" - 39"	
B	49" - 75"	
C	15" - 90 1/2"	21" - 90 1/2"
D	36"	
E	12" (60° and 90°)	
	18" (30° and 45°)	24" (30° and 45°)
F	30°, 45°, 60° and 90°	

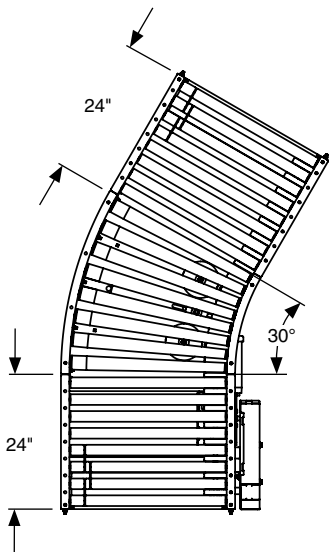
A = Between Frame (BF) (1" Increments)  
 B = Outside Radius (OR)  
 C = Top of Roller (TOR)  
 D = Inside Radius (IR)  
 E = Minimum Tangent Length  
 F = Degrees

Taper and straight rollers available for curves

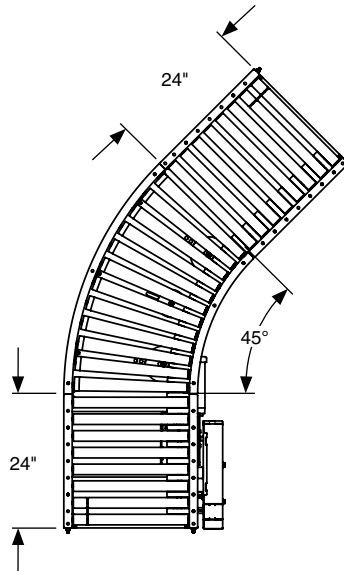


Shaft mount drive shown

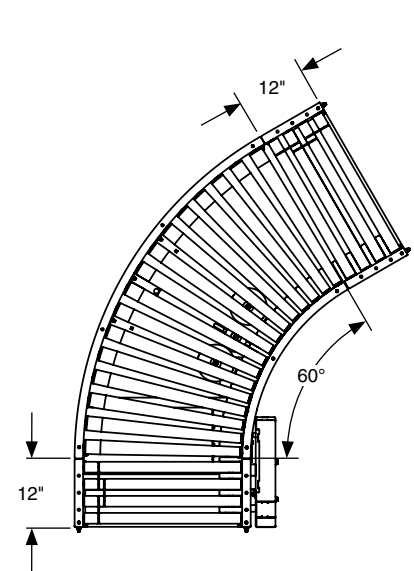
**30° CURVE**



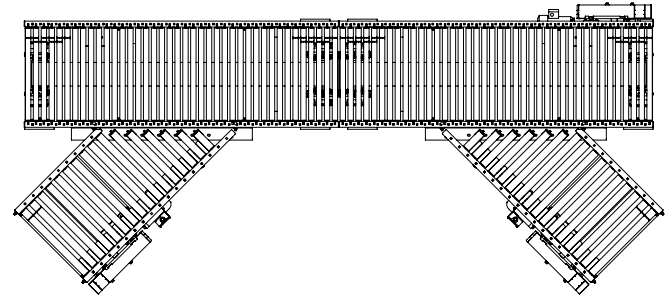
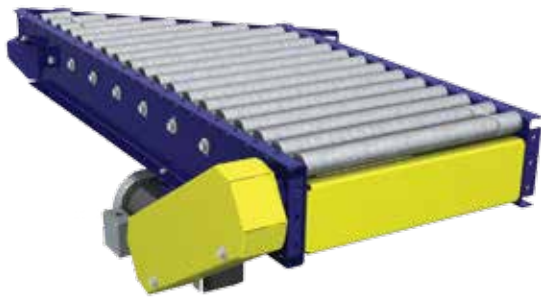
**45° CURVE**



**60° CURVE**



# BELT DRIVEN LIVE ROLLER CONVEYOR - STRAIGHT SPUR

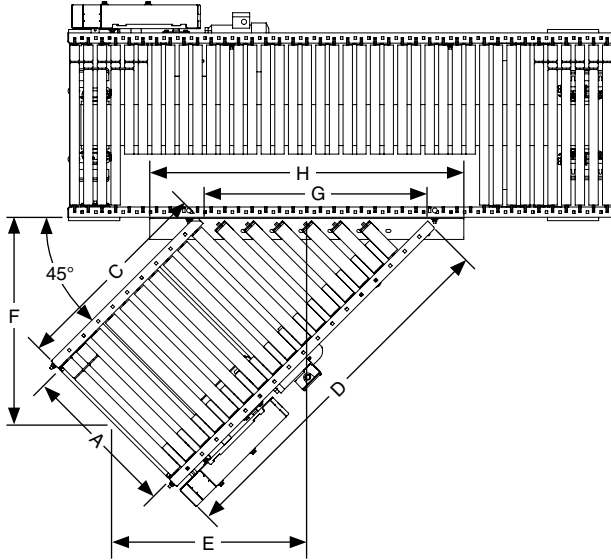


RIGHT HAND

LEFT HAND

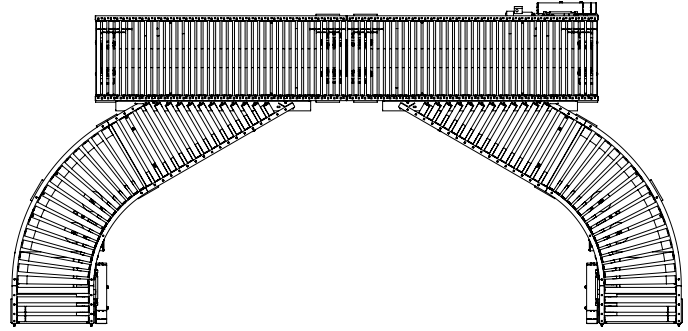
	1.9"
A	13" - 39"
B	22" - 90 1/2"

- A = Between Frame (BF) (1" Increments)
- B = Top of Roller (TOR)
- C = Short Rail Length
- D = Long Rail Length
- E = Trunk Line Displacement
- F = Take Off Displacement
- G = Throat
- H = Shelf Bracket Length



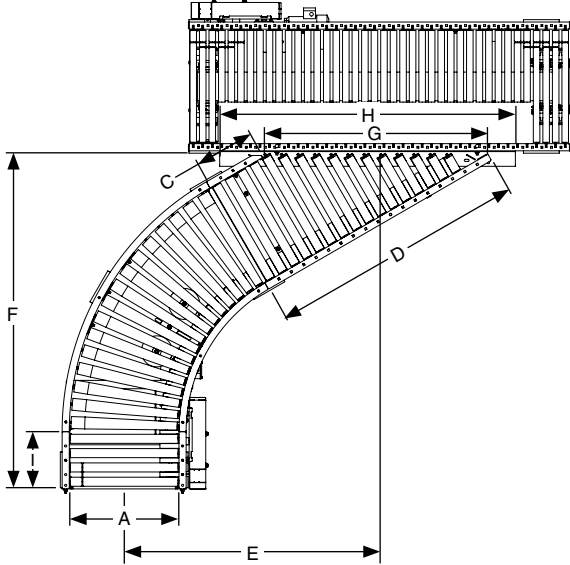
30° STRAIGHT SPUR CONVEYOR							45° STRAIGHT SPUR CONVEYOR					
A (in.)	C (in.)	D (in.)	E (in.)	F (in.)	G (in.)	H (in.)	C (in.)	D (in.)	E (in.)	F (in.)	G (in.)	H (in.)
Between Frame Width	Short Rail Length	Long Rail Length	Trunk Line Displacement	Take Off Displacement	Throat	Shelf Bracket Length	Short Rail Length	Long Rail Length	Trunk Line Displacement	Take Off Displacement	Throat	Shelf Bracket Length
13	53 1/4	75 3/4	55 3/4	32 1/4	26	38	41 1/8	54 1/8	33 5/8	33 5/8	18 2/5	33 1/2
14	51 1/2		55	31 3/4	28	43 1/4	40 1/8		33 3/8	33 3/8	19 4/5	33 1/2
15	49 7/9		54 1/4	31 3/8	30	43 1/4	39 1/8		33	33	21 2/9	33 1/2
16	48		53 1/2	30 7/8	32	43 1/4	38 1/8		32 5/8	32 5/8	22 5/8	37 3/4
17	46 1/3		52 3/4	30 1/2	34	50 1/4	37 1/8		32 1/4	32 1/4	24	37 3/4
18	44 4/7		52	30	36	50 1/4	36 1/8		31 7/8	31 7/8	25 1/2	37 3/4
19	42 5/6		51 1/4	29 5/8	38	50 1/4	35 1/8		31 1/2	31 1/2	26 7/8	42
20	41 1/9	50 1/2	29 1/8	40	59	34 1/8	31 1/4	31 1/4	28 2/7	42		
21	39 3/8	49 3/4	28 3/4	42	59	33 1/8	30 7/8	30 7/8	29 5/7	42		
22	52 2/3	90 3/4	62	35 3/4	44	59	41 1/8	63 1/8	36 7/8	36 7/8	31 1/9	46 1/4
23	51		61 1/4	35 3/8	46	59	40 1/8		36 1/2	36 1/2	32 1/2	46 1/4
24	49 1/6		60 1/2	34 7/8	48	64	39 1/8		36 1/8	36 1/8	34	46 1/4
25	47 4/9		59 3/4	34 1/2	50	64	38 1/8		35 3/4	35 3/4	35 1/3	50 1/2
26	45 5/7		59	34 1/8	52	64	37 1/8		35 1/2	35 1/2	36 7/9	50 1/2
27	44		58 1/4	33 5/8	54	72 3/4	36 1/8		35 1/8	35 1/8	38 1/5	50 1/2
28	42 1/4		57 1/2	33 1/4	56	72 3/4	35 1/8		34 3/4	34 3/4	39 3/5	54 3/4
29	40 1/2		56 3/4	32 3/4	58	72 3/4	34 1/8		34 3/4	34 3/8	41	54 3/4
30	38 4/5		56	32 3/8	60	72 3/4	33 1/8		34	34	42 3/7	54 3/4
31	52		105 3/4	68 1/4	39 3/8	62	77 3/4		41 1/8	72 1/8	40	40
32	50 1/3	67 1/2		39	64	77 3/4	40 1/8	39 5/8	39 5/8		45 1/4	59
33	48 3/5	66 3/4		38 1/2	66	77 3/4	39 1/8	39 3/8	39 3/8		46 2/3	59
34	46 6/7	66		38 1/8	68	86 1/2	38 1/8	39	39		48	63 1/2
35	45 1/8	65 1/4		37 5/8	70	86 1/2	37 1/8	38 5/8	38 5/8		49 1/2	63 1/2
36	43 2/5	64 1/2		37 1/4	72	86 1/2	36 1/8	38 1/8	38 1/8		51	63 1/2
37	41 2/3	63 3/4		36 3/4	74	86 1/2	35 1/8	37 7/8	37 7/8		52 1/3	67 1/2
38	40	63		36 3/8	76	90	34 1/8	37 5/8	37 5/8		53 2/3	67 1/2
39	38 1/5	62 1/4		35 7/8	78	90	33 1/8	37 1/4	37 1/4		55 1/5	67 1/2

# BELT DRIVEN LIVE ROLLER CONVEYOR - CURVE SPUR



RIGHT HAND

LEFT HAND



	1.9"
A	13" - 39"
B	22" - 90 1/2"

- A = Between Frame (BF) (1" Increments)
- B = Top of Roller (TOR)
- C = Short Rail Length
- D = Long Rail Length
- E = Trunk Line Displacement
- F = Take Off Displacement
- G = Throat
- H = Shelf Bracket Length
- I = Tangent

Taper and straight rollers available for curve spurs

30° STRAIGHT SPUR CONVEYOR								45° STRAIGHT SPUR CONVEYOR							
A (in.)	C (in.)	D (in.)	E (in.)	F (in.)	G (in.)	H (in.)	I (in.)	C (in.)	D (in.)	E (in.)	F (in.)	G (in.)	H (in.)	I (in.)	
Between Frame Width	Short Rail Length	Long Rail Length	Trunk Line Displacement	Take Off Displacement	Throat	Shelf Bracket Length	Tangent	Short Rail Length	Long Rail Length	Trunk Line Displacement	Take Off Displacement	Throat	Shelf Bracket Length	Tangent	
13	35 1/4	57 3/4	61 1/2	72	26	38	12	23 1/8	36 1/8	33 3/8	75	49 6/7	33 1/2	24	
14	33 1/2		61		28	43 1/4		22 1/8		33 1/4		47 3/8	33 1/2		
15	31 7/9		60 1/2		30	43 1/4		21 1/8		33		45	33 1/2		
16	30		60		32	43 1/4		20 1/8		32 3/8		42 3/7	37 3/4		
17	28 1/3		59 1/2		34	50 1/4		19 1/8		32 5/8		40	37 3/4		
18	26 4/7		59		36	50 1/4		18 1/8		32 3/8		37 3/5	37 3/4		
19	24 5/6		58 1/2		38	50 1/4		17 1/8		32 1/8		35 1/8	42		
20	23 1/9	58	40	59	16 1/8	32	32 2/3	42							
21	21 3/8	57 1/2	42	59	15 1/8	31 3/4	30 1/4	42							
22	34 2/3	72 3/4	70	79 1/2	44	59	12	26 1/8	48 1/8	40	83 1/2	49	46 1/4	24	
23	33		69 1/2		46	59		25 1/8		39 3/4		46 2/3	46 1/4		
24	31 1/6		69		48	64		24 1/8		39 5/8		44	46 1/4		
25	29 4/9		68 1/2		50	64		23 1/8		39 3/8		41 2/3	50 1/2		
26	27 5/7		68		52	64		22 1/8		39 1/4		39 1/5	50 1/2		
27	26		67 1/2		54	72 3/4		21 1/8		39		36 7/9	50 1/2		
28	24 1/4		67		56	72 3/4		20 1/8		38 3/4		34 2/7	54 3/4		
29	22 1/2		66 1/2		58	72 3/4		19 1/8		38 5/8		31 5/6	54 3/4		
30	20 4/5		66		60	72 3/4		18 1/8		38 3/8		29 3/7	54 3/4		
31	34	87 3/4	78 1/2	87	62	77 3/4	12	29 1/8	60 1/8	46 5/8	92	48	59	24	
32	32 1/3		78		64	77 3/4		28 1/8		46 3/8		45 3/4	59		
33	30 3/5		77 1/2		66	77 3/4		27 1/8		46 1/4		43 2/7	59		
34	28 6/7		77		68	86 1/2		26 1/8		46		40 4/5	63 1/2		
35	27 1/8		76 1/2		70	86 1/2		25 1/8		45 3/8		38 3/8	63 1/2		
36	25 2/5		76		72	86 1/2		24 1/8		45 5/8		36	63 1/2		
37	23 2/3		75 1/2		74	86 1/2		23 1/8		45 3/8		33 1/2	67 1/2		
38	22		75		76	90		22 1/8		45 1/4		31 1/9	67 1/2		
39	20 1/5		74 1/2		78	90		21 1/8		45		28 4/7	67 1/2		

# ROLLER AND FRAME SPECIFICATIONS

STRAIGHT	ROLLER DIAMETER	BEARINGS	TUBE DETAIL		AXLE DETAIL			ROLLER SPACING	GALVANIZED FRAME
		Details	Wall Thickness	Material	Size	Type	Retention	Centers	12 Ga. Formed Channels
	1.9"	Non-Precision or ABEC Precision	16 Ga.	Galvanized	7/16"	Hex	Spring	3" and 6"	6 1/2" high x 1 1/2" flange*
CURVE	ROLLER DIAMETER	BEARINGS	TUBE DETAIL		AXLE DETAIL			ROLLER SPACING	GALVANIZED FRAME
		Details	Wall Thickness	Material	Size	Type	Retention	Centers	12 Ga. Formed Channels
	1.9"	Non-Precision or ABEC Precision	16 Ga.	Galvanized	7/16"	Hex	Spring	3"	8" high x 1 1/2" flange
	1.9" Tapered (2 1/2" - 1 11/16")	Non-Precision or ABEC Precision	14 Ga.	Zinc Plated	7/16"	Hex	Spring	3" Nominal	8" high x 1 1/2" flange

\*Drive and tail pulley sections have higher frames

# HORSEPOWER AND LOAD SPECIFICATIONS

MAXIMUM UNIFORMLY DISTRIBUTED LIVE LOAD						
BELT DRIVEN LIVE ROLLER CONVEYOR AT 60 FPM						
HP	13" - 18" BETWEEN FRAME		19" - 26" BETWEEN FRAME		27" - 39" BETWEEN FRAME	
	5' - 50'	51' - 100'	5' - 50'	51' - 100'	5' - 50'	51' - 100'
1/2	650	N/A	270	N/A	N/A	N/A
3/4	1510	510	1130	N/A	430	N/A
1	2460	1460	2100	670	1400	N/A
1 1/2	3760*	3100	3400*	2000	2780	750*
2	5400*	4300*	5000*	3600*	4400*	2370*

\*8" diameter drive pulley in lieu of 4" diameter drive pulley

# STANDARD SPECIFICATIONS

**BELT** - Trackmate 120, 6" wide, 12" wide for 32" between frame and wider

**ROLLERS** - 1.9" dia. x 16 ga. galvanized steel tubes, 7/16" spring retained hex axle, non-precision bearings with 3" and 6" roller centers

**CURVE ROLLERS** - 1.9" dia. taper (2 1/2" to 1 11/16" dia.) x 14 ga. zinc plated tube, 7/16" spring retained hex axle, non-precision bearings with 3" nominal roller centers

**FRAME** - 6 1/2" high x 1 1/2" flange x 12 ga. galvanized steel formed channel frames with bolt-on end couplers

**CONSTRUCTION** - Bolt-together frames, spreaders, end couplers and splice plates

**SQUARING BRACES** - Squaring braces are provided on conveyors over 30' in length to aid in belt tracking. Threaded rod, turn buckle and brackets are included.

**BETWEEN FRAME WIDTH** - 13" to 39" in 1" increments

**OVERALL LENGTH** - 5' to 102' in any increment

**CURVE DEGREES** - 30°, 45°, 60° and 90°

**DRIVE STYLE** - Straight - Underhung end drive or underhung center drive. Curve and Spur - Underhung end drive.

**SPEED** - 30 to 120 FPM

**MOTOR** - 1/2 HP through 2 HP, 1750 RPM, C-face, 208-230-460V/3PH/60Hz, TEFC

**REDUCER** - Sealed, worm gear, C-face

**DRIVE SPROCKETS** - #50, #60 or #80 series sprockets with keyed hub and set screws

**MOUNTED BEARINGS** - Precision, sealed, pre-lubricated, self-aligning, flange mount ball bearing units with cast iron housing

**DRIVE CHAIN** - #50, #60 or #80 series roller chain

**DRIVE PULLEY** - 4" dia. with 1 3/16" dia. shaft or 8" dia. with 1 7/16" dia. shaft, crowned, fully lagged

**TAIL PULLEY** - 4" dia. with 1 3/16" dia. shaft, crowned

**SNUB ROLLERS** - 2 1/2" dia. X 10 ga. galvanized steel tubes, 11/16" spring retained hex axle, non-precision grease packed bearings

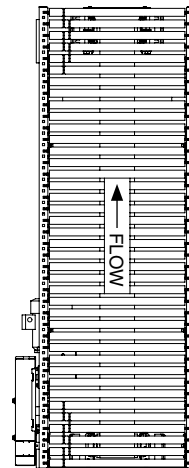
**RETURN ROLLERS** - 1.9" dia. X 16 ga. galvanized steel tubes, 7/16" spring retained hex axle, non-precision grease packed bearings

**TAKE-UP** - Screw type take-up assembly

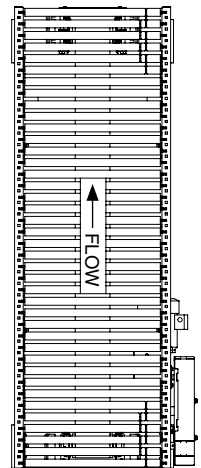
**SUPPORTS** - Adjustable H-style, bolted 15" to 89" from floor to top of roller. One support at every bed joint and at ends of conveyor. Supports are shipped loose.

**FINISHES** - Galvanized steel standard. Powder coat available.

Expanded product parameters available. For more information see Tech Handbook.



LEFT HAND DRIVE



RIGHT HAND DRIVE

## OPTIONAL EQUIPMENT AND DEVICES

**SIDE GUIDES** - Available in fixed or adjustable with multiple contact surfaces. Allows product to be guided and kept in place within the conveying surface. Side guides are bolted to the conveyor frame.

**Fixed Angle Side Guides** - Standard 2" high or 6" high, 12 ga. formed angle

**Fixed Channel Side Guides** - Standard 2 1/2" high or 3 1/2" high, 12 ga. formed channel

**Adjustable Channel Side Guides** - Standard 1 5/8" high x 1" high, 12 ga. formed channel, width and height adjustable

**Adjustable Angle Side Guides** - Angle guides typically formed angle, width adjustable

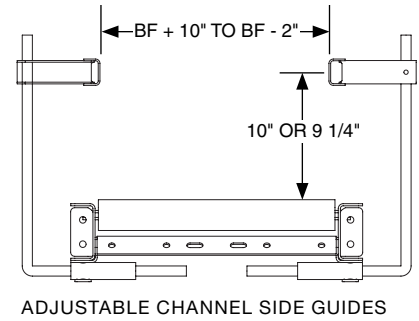
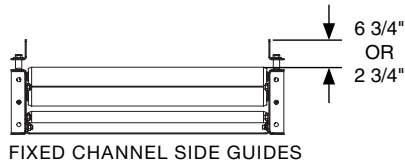
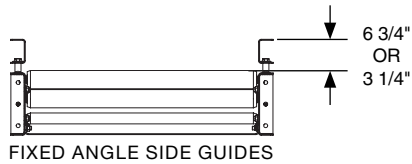
**UHMW Lined Fixed Angle Side Guides** - Replaceable UHMW face provides wear protection for angle guides

**Adjustable Rail UHMW Side Guides** - Replaceable UHMW face provides wear protection on rails, width and height adjustable

**Skatewheel Side Guides** - Vertically mounted skatewheels

**Bead Rail Side Guides** - Vertically mounted, tightly spaced small wheels supported by axles and a metal channel

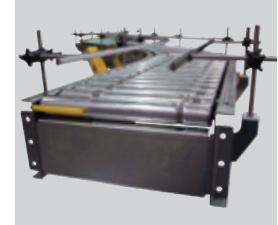
**Roller Side Guides** - Vertically mounted rollers



ADJUSTABLE ANGLE SIDE GUIDES



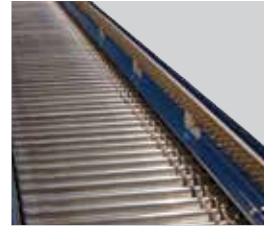
UHMW LINED FIXED ANGLE SIDE GUIDES



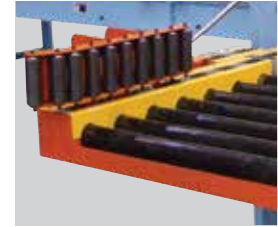
ADJUSTABLE RAIL UHMW SIDE GUIDES



SKATEWHEEL SIDE GUIDES



BEAD RAIL SIDE GUIDES



ROLLER SIDE GUIDES

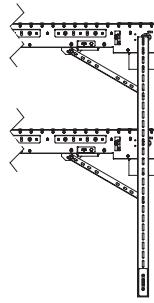
### SIDE GUIDES

**SUPPORTS** - Available in single or multi-tier and with caster options for portability. Supports are designed to be bolted to the conveyor frame. Supports are shipped loose.

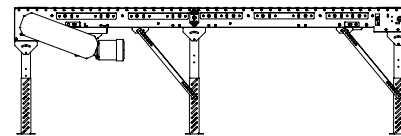
**Multi-Tier Supports** - 3" x 1 1/2" x 12 ga. formed channel leg uprights (1500 lbs. capacity)

**Knee Brace Supports** - Formed angle brace adds stability to conveyor and leg supports

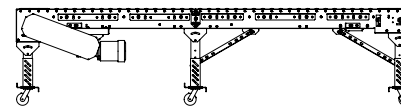
**Portable H-Stands** - 3" x 1 1/2" x 12 ga. formed channel leg uprights (800 lbs. capacity)



MULTI-TIER SUPPORTS



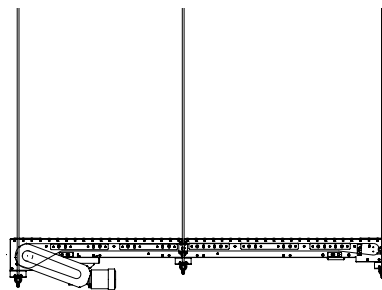
KNEE BRACE SUPPORTS



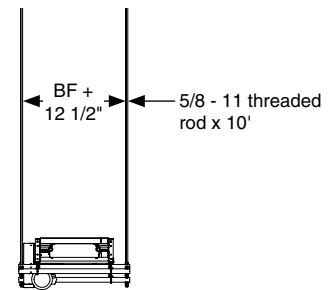
PORTABLE H-STANDS

### SUPPORTS

**CEILING HANGERS** - Allows conveyor to be suspended from the ceiling. Threaded rod is attached to support steel under the conveyor frame. Ceiling attachments to threaded rod by others.

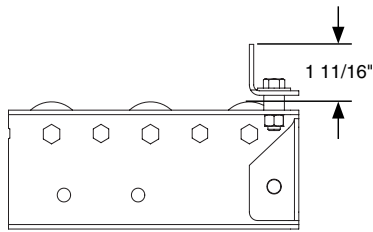


SIDE VIEW  
CEILING HANGERS

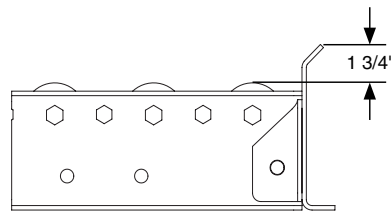


END VIEW

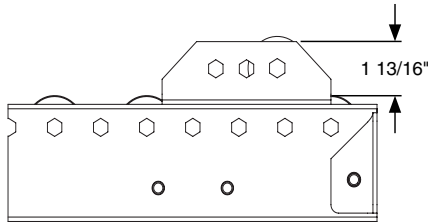
## OPTIONAL EQUIPMENT AND DEVICES



FIXED ANGLE STOP



FIXED CHANNEL STOP



FIXED ROLLER STOP



ADJUSTABLE END STOP

### END STOPS

**END STOPS** - Allows product to stop at the end of a conveyor line. Fixed and adjustable end stops are available.

**Fixed Angle Stop** - Formed angle end stop bolted to top flange of conveyor frame

**Fixed Channel Stop** - Formed channel end stop bolted to conveyor end coupling

**Fixed Roller Stop** - 1.9" dia. rollers mounted in formed angle brackets, bolted to the top flange of conveyor frame

**Adjustable End Stop** - Formed steel adjustable end stop bolted to conveyor frame with manually adjusted stop position. Height is not adjustable.



MANUAL POP-UP BLADE STOP



PNEUMATIC POP-UP BLADE STOP



PIN STOP

### PIN AND BLADE STOPS

**PIN AND BLADE STOPS** - Pneumatically or manually operated pin, blade and roller stop that pops up between rollers in order to accumulate product

**Manual Pop-Up Blade Stop** - Used to stop products in the conveying line. Mounted to underside of conveyor. Side handle for manually raising blade.

**Pneumatic Pop-Up Blade Stop** - Used to stop products in the conveying line. Mounted to underside of conveyor. Pneumatic cylinder raises blade.

**Pin Stop** - Mounted to underside of conveyor. Pneumatic cylinder raises blade. Typically utilized on round product.



ROLLER COATINGS OR SLEEVES

**ROLLER COATINGS OR SLEEVES** - Rollers available with urethane and vinyl sleeves. Coatings available in cast urethane, millable urethane, black rubber, food grade and other materials based on the application.

**ROLLER OPTIONS** - Non-precision, semi-precision and ABEC precision bearings available. Mild steel, galvanized steel, stainless steel, aluminum, industrial pipe and PVC tubes available. Zinc, chrome and nickel plating available.





# BELT CONVEYOR

## SECTION CONTENT

Bolt-Together Straight  
Bolt-Together Incline/Decline  
Welded Straight  
Belt Curve  
Optional Equipment and Devices





# BC BELT CONVEYOR



## WHY BC?

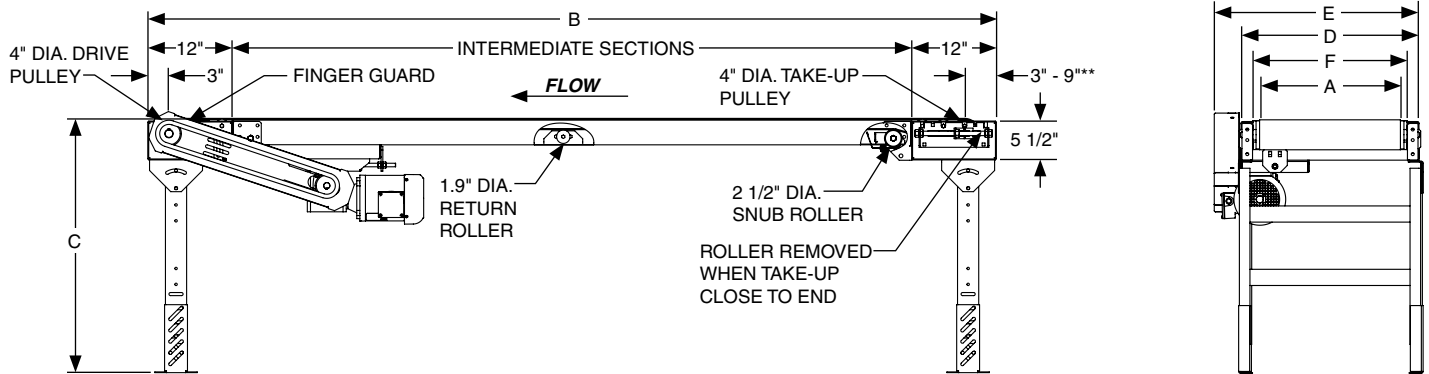
- Provides the most versatile means of handling a wide variety of products
- Achieves higher speeds than other conveyor types
- Many belt options for specific applications
- Common applications include assembly, sorting, inspecting and transportation

## SLIDER BED

<b>A</b>	4" - 36"
<b>B</b>	3' - 102'
<b>C</b>	16" - 84"
<b>D</b>	A + 5"
<b>E</b>	A + 9 1/8"
<b>F</b>	A + 2"

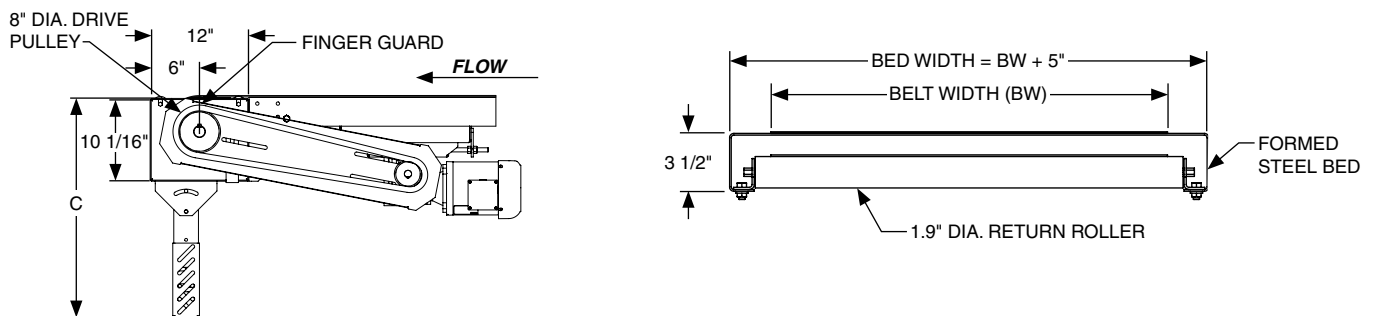
A = Belt Width (BW) (1" Increments)  
 B = Overall Length (OAL) (Any Increment)  
 C = Top of Belt (TOB)  
 D = Bed Width  
 E = Overall Drive Width  
 F = Between Frame (BF)

### 4" END DRIVE

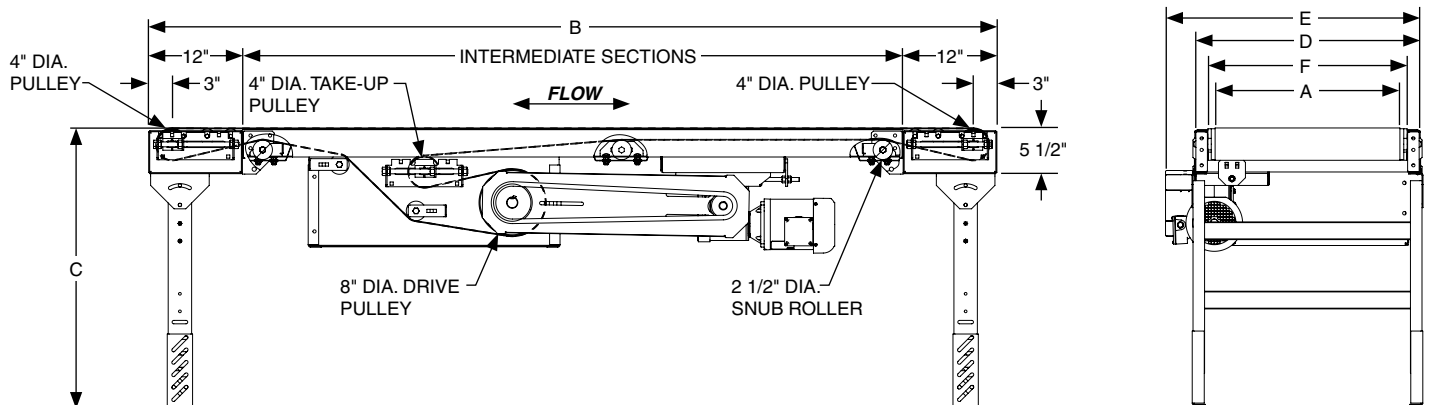


\*\*Dependent upon overall conveyor length

### 8" END DRIVE



### 8" CENTER DRIVE

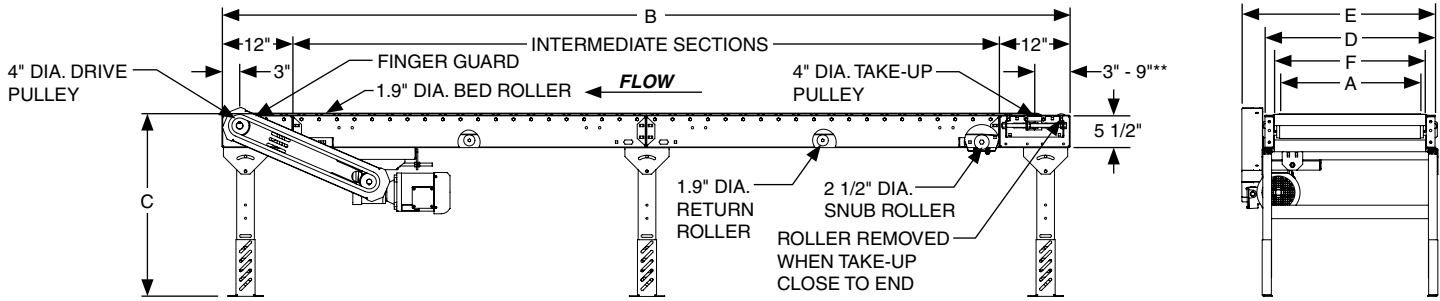


# ROLLER BED

<b>A</b>	4" - 36"
<b>B</b>	3' - 102'
<b>C</b>	16" - 84"
<b>D</b>	A + 5"
<b>E</b>	A + 9 1/8"
<b>F</b>	A + 2"

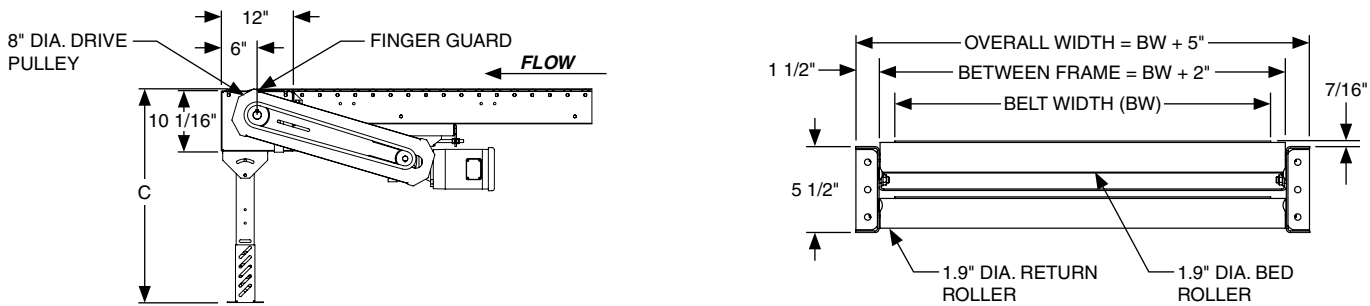
A = Belt Width (BW) (1" Increments)  
 B = Overall Length (OAL) (Any Increment)  
 C = Top of Belt (TOB)  
 D = Bed Width  
 E = Overall Drive Width  
 F = Between Frame (BF)

## 4" END DRIVE

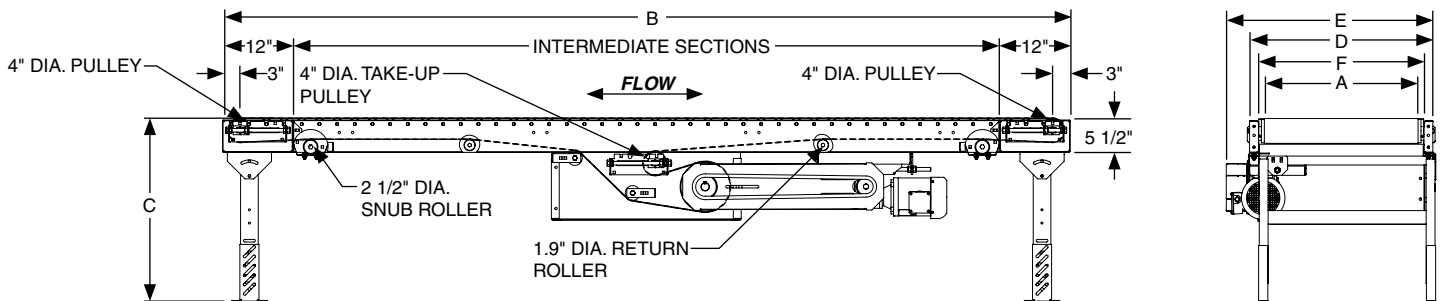


\*\*Dependent upon overall conveyor length

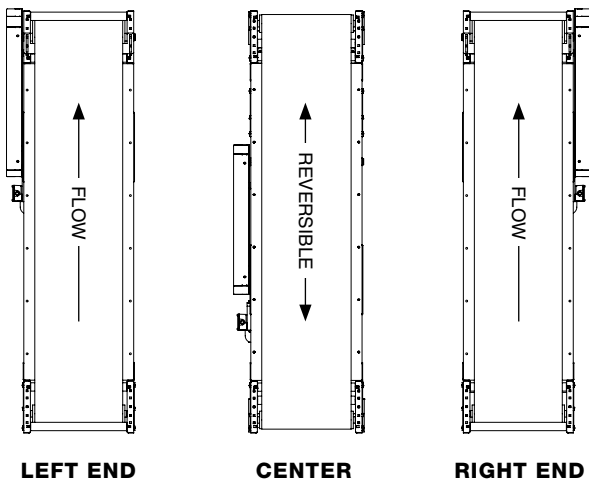
## 8" END DRIVE



## 8" CENTER DRIVE



## DRIVE LOCATIONS



Note: A short belt segment laced on both ends, commonly called a "dutchman", is provided with conveyors over 47' OAL. This allows future belt stretch with standard end take-up. If short segment is not desired, a center drive/take-up is required.

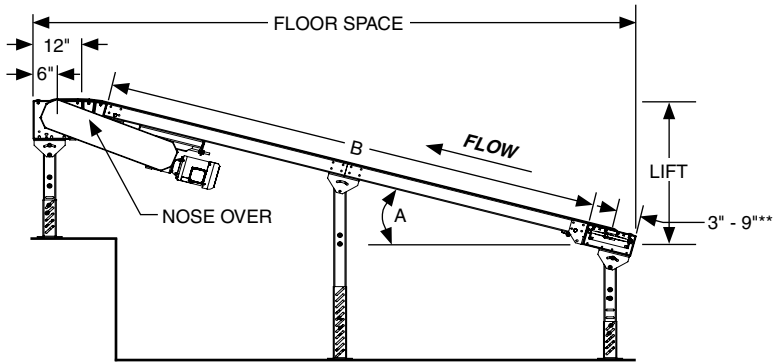


<b>A</b>	7.5° - 27.5°
<b>B</b>	5' - 50'
<b>C</b>	6" - 36"
<b>D</b>	1' - 9'
<b>E</b>	A + 9 1/8"

A = Angle  
 B = Bed Length  
 C = Bed Width (1" Increments)\*  
 D = Infeed/Discharge Bed Length  
 E = Overall Drive Width\*

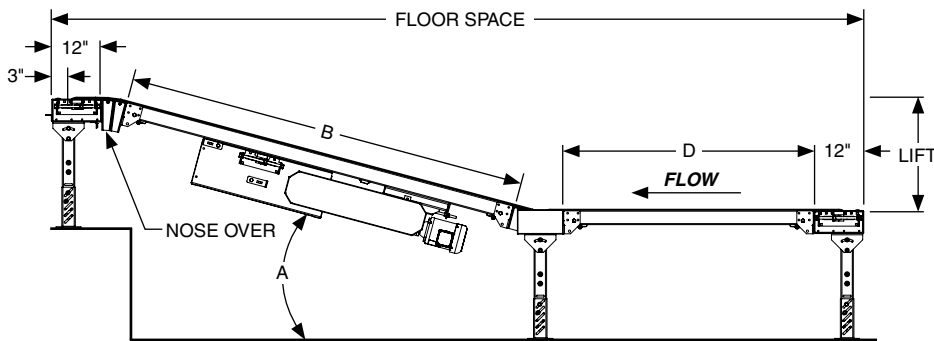
\*Reference horizontal belt for end views

## STYLE 1 INCLINED BELT CONVEYOR

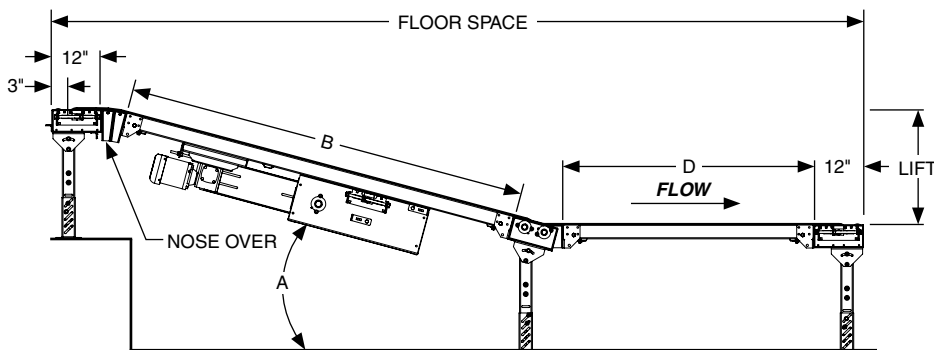


\*\*Dependent upon overall conveyor length

## STYLE 2 INCLINED BELT CONVEYOR



## STYLE 3 DECLINE BELT CONVEYOR



# HORSEPOWER AND LOAD SPECIFICATIONS (HORIZONTAL BELT CONVEYOR)

SLIDER BED CAPACITIES								
Belt Width in 1" Increments (in.)	HP	4" Dia. Pulley					8" Dia. Pulley	
		12'	22'	32'	42'	52'	72'	102'
Maximum Uniformly Distributed Load (lbs.)								
6	1/2	505	500	495	485	480	415	395
	1	1030	1025	1020	1015	1005	915	895
12	1/2	495	485	470	460	445	370	335
	1	1025	1010	1000	985	970	870	835
16	1/2	490	475	460	440	420	340	290
	1	1015	1000	985	970	950	840	795
18	1/2	485	470	450	435	410	325	270
	1	1015	995	980	960	940	825	775
20	1/2	485	465	445	425	400	310	250
	1	1010	990	970	950	925	810	750
24	1/2	480	455	430	405	375	280	205
	3/4	730	705	685	660	630	525	455
30	1/2	470	440	410	380	345	235	145
	3/4	720	690	660	635	595	480	390
8" Dia. Drive and 6" Dia. Take-Up Pulley								
36	1/2	400	365	330	290	255	185	80
	1	900	865	830	795	760	685	580
ROLLER BED CAPACITIES								
Belt Width in 1" Increments (in.)	HP	4" Dia. Pulley					8" Dia. Pulley	
		12'	22'	32'	42'	52'	72'	102'
Maximum Uniformly Distributed Load (lbs.)								
6	1/2	2880	2900	2845	2770	2675	2220	1990
	1	2880	5280	6005	5930	5835	5230	5000
12	1/2	2880	2805	2680	2555	2410	1860	1490
	1	2880	5280	5840	5715	5575	4870	4500
16	1/2	2880	2725	2570	2415	2235	1620	1155
	1	2880	5280	5730	5575	5395	4630	4165
18	1/2	2860	2690	2515	2345	2150	1500	985
	1	2880	5280	5675	5505	5310	4510	3995
20	1/2	2835	2650	2460	2275	2060	1380	820
	1	2880	5280	5620	5435	5220	4390	3830
24	1/2	2790	2570	2350	2135	1885	1140	485
	3/4	2880	4090	3870	3650	3405	2620	1965
30	1/2	2720	2455	2185	1920	1620	785	45
	3/4	2880	3975	3705	3440	3140	2265	1465
8" Dia. Drive and 6" Dia. Take-Up Pulley								
36	1/2	2290	1975	1665	1350	1035	410	N/A
	1	2880	4990	4675	4360	4045	3420	2480

Capacities stated are for 60 FPM and standard drive components for horizontal belt conveyor only

## STANDARD SPECIFICATIONS

**CAPACITY** - General Horizontal and Incline Capacity Guideline - Maximum load per linear foot of conveyor, 100 lbs. for Slider Bed and 240 lbs. for Roller Bed

**BELT** - Standard belt for horizontal is Black Trackmate 120. Standard belt for incline is Black Trackmate 120 Rough Top. Both with exposed clipper lacing.

**SLIDER BED FRAME** - 3 1/2" high x 12 ga. galvanized steel slider bed with bolt-on end couplers/splice plates

**ROLLER BED FRAME** - 5 1/2" high x 1 1/2" flange x 12 ga. galvanized steel formed channel frames with bolt-on end couplers

**ROLLER BED** - 1.9" dia. x 16 ga. galvanized steel tubes, 7/16" spring retained hex axle, non-precision bearings with 3", 6", 9" and 12" roller centers

**CONSTRUCTION** - Bolt-together frames, spreaders, end couplers and splice plates

**BELT WIDTH** - Horizontal 4" to 36" and Incline 6" to 36", both in 1" increments

**OVERALL LENGTH** - Horizontal 3' to 102' in any increment

**INCLINE BED LENGTH** - 5' to 50' in any increment

**INCLINE DEGREES** - 7.5°, 12.5°, 15°, 20°, 22.5°, 25° and 27.5°

**DRIVE STYLE** - Horizontal - Underhung end drive or underhung center drive, Incline - Underhung center drive

**SPEED** - 30 to 120 FPM

**MOTOR** - 1/2 HP through 2 HP, 1750 RPM, C-face, 208-230-460V/3PH/60Hz, TEFC

Expanded product parameters available. For more information see Tech Handbook.

**INCLINE BRAKE MOTOR** - 1/2 HP through 2 HP, 1750 RPM, C-face, 208-230-460V/3PH/60Hz, TEFC

**REDUCER** - Sealed, worm gear, C-face

**DRIVE SPROCKETS** - #50, #60 or #80 series sprockets with keyed hub and set screws

**MOUNTED BEARINGS** - Precision, sealed, pre-lubricated, self-aligning, flange mount ball bearing units with cast iron housing

**DRIVE CHAIN** - #50, #60 or #80 series roller chain

**DRIVE PULLEY** - 4" dia. with 1 3/16" dia. shaft or 8" dia. with 1 7/16" dia. shaft, crowned, fully lagged

**TAIL PULLEY** - 4" dia. with 1 3/16" dia. shaft, 6" dia. at 36" belt width, crowned

**SNUB ROLLERS** - 2 1/2" dia. x 10 ga. galvanized steel tubes, 11/16" spring retained hex axle, non-precision grease packed bearings

**RETURN ROLLERS** - 1.9" dia. x 16 ga. galvanized steel tubes, 7/16" spring retained hex axle, non-precision grease packed bearings

**TAKE-UP** - Screw type take-up assembly

**SUPPORTS** - Adjustable H-style, bolted 16" to 84" from floor to top of belt. One support at every bed joint and at ends of conveyor. Supports are shipped loose.

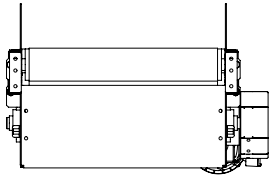
**FINISHES** - Galvanized steel standard. Powder coat available.

# BELT SPECIFICATIONS

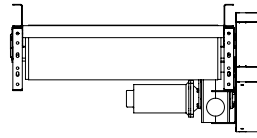
BELT	BLACK TRACKMATE 120 (HORIZONTAL STANDARD)	BLACK TRACKMATE 120 ROUGH TOP (INCLINE STANDARD)	BLACK OMNITHANE 150	WHITE PVC 120
Characteristics	Excellent Tracking	Friction Surface	Cut and Abrasion Resistant	Non-Marking
Cover	Embossed PVC	Rough Top PVC	Smooth Polyurethane	Smooth PVC
Strength	120 PIW	120 PIW	150 PIW	120 PIW
Thickness	.1"	.23"	.16"	.14"
Lacing	Clipper			

Other types of belt available upon request

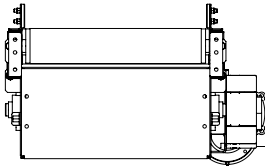
## OPTIONAL EQUIPMENT AND DEVICES



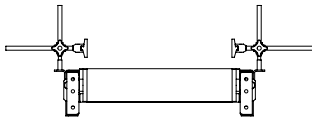
FIXED ANGLE SIDE GUIDES



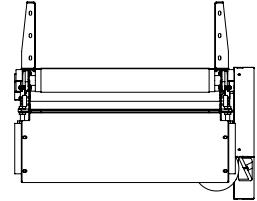
FIXED CHANNEL SIDE GUIDES



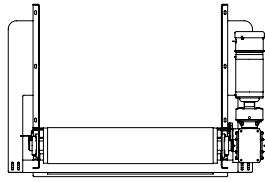
UHMW FIXED ANGLE SIDE GUIDES



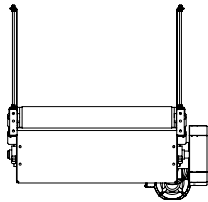
ADJUSTABLE RAIL UHMW SIDE GUIDES



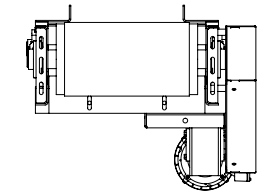
TALL FIXED CHANNEL SIDE GUIDES



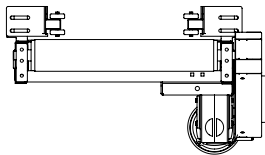
TALL FIXED CHANNEL SIDE GUIDES WITH GUSSETS



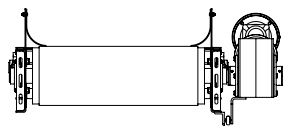
TALL FIXED CHANNEL SIDE GUIDES WITH THREADED ROD



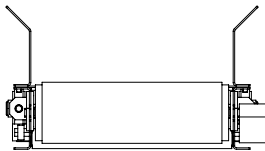
FIXED ANGLE SIDE GUIDES WITH SPACER BAR



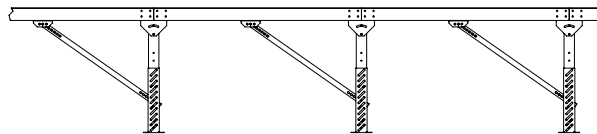
SKATEWHEEL SIDE GUIDES



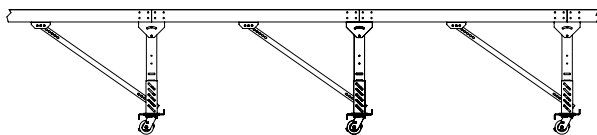
SIDE GUIDES WITH BELT SKIRTS



FLARED SIDE GUIDES



KNEE BRACE SUPPORTS



PORTABLE H-STANDS

**SIDE GUIDES** - Available in fixed or adjustable with multiple contact surfaces. Allows product to be guided and kept in place within the conveying surface. Side guides are bolted to the conveyor frame.

**Fixed Angle Side Guides** - Standard 1 1/2" x 2" high or 1 1/2" x 6" high formed, 12 ga. angle

**Fixed Channel Side Guides** - Standard 2 1/2" high or 3 1/2" high, 12 ga. formed channel

**UHMW Fixed Angle Side Guides** - Replaceable UHMW face provides wear protection for angle guides

**Adjustable Rail UHMW Side Guides** - Replaceable UHMW face provides wear protection on rails, width and height adjustable

**Tall Fixed Channel Side Guides** - Higher formed angle for tall product

**Tall Fixed Channel Side Guides with Gussets** - Higher formed and gusseted angle for tall product

**Tall Fixed Channel Side Guides with Threaded Rod** - Higher formed angle with threaded rod adjustment for tall product

**Fixed Angle Side Guides with Spacer Bar** - Spacer bar allows side guide to overlap belt to remove gap

**Skatewheel Side Guides** - Vertically mounted skatewheels

**Side Guides with Belt Skirts** - Belt skirts attached to formed angle to keep product off the belt edges

**Flared Side Guides** - Funnel type side guides for guiding product during loading (v-guided belt only)

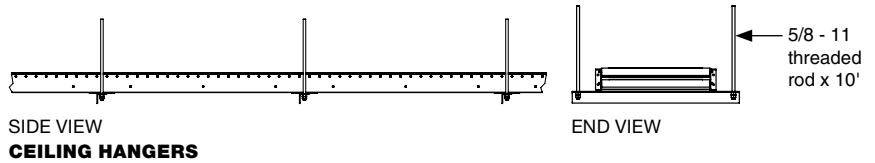
**SUPPORTS** - Available with caster options for portability. Supports are designed to be bolted to the conveyor frame. Supports are shipped loose.

**Knee Brace Supports** - Formed angle brace adds stability to conveyor and leg supports

**Portable H-Stands** - 3" x 1 1/2" x 12 ga. formed channel leg uprights (800 lbs. capacity)

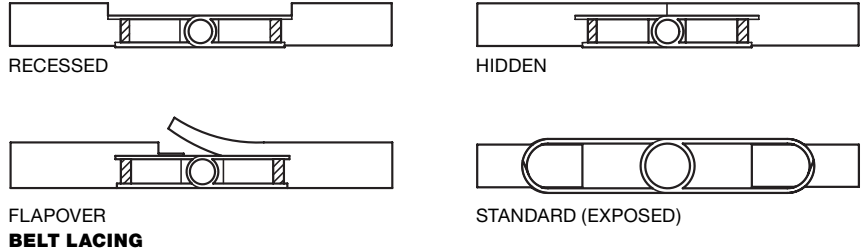
## OPTIONAL EQUIPMENT AND DEVICES

**CEILING HANGERS** - Allows conveyor to be suspended from the ceiling. Threaded rod is attached to support steel under the conveyor frame. Ceiling attachments to threaded rod by others.



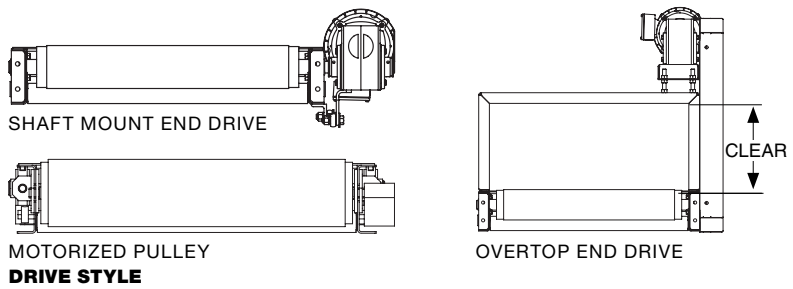
### BELT LACING

Recessed  
 Hidden  
 Flapover  
 Standard (Exposed)  
 Other types available

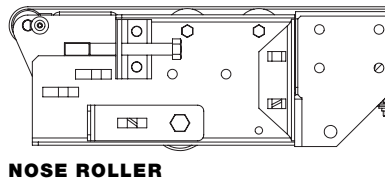


### DRIVE STYLE

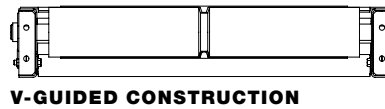
Shaft Mount End Drive  
 Overtop End Drive  
 Motorized Pulley



**NOSE ROLLER** - Ideal for small product transfer. Must be center driven.



**V-GUIDED CONSTRUCTION** - Required if length-to-belt width ratio is less than 2.5:1. Uses 5 1/2" x 1 1/2" x 12 ga. galvanized frame. Not available with center drive. Proper belt tracking still required.



**TROUGH CONVEYOR** - Conveys cylindrical products. Conveyor slider or roller bed is V-shaped.



**STAINLESS STEEL** - Conveyors are available in stainless steel materials for washdown applications or harsh environments

# WBC WELDED BELT CONVEYOR



## WHY WBC?

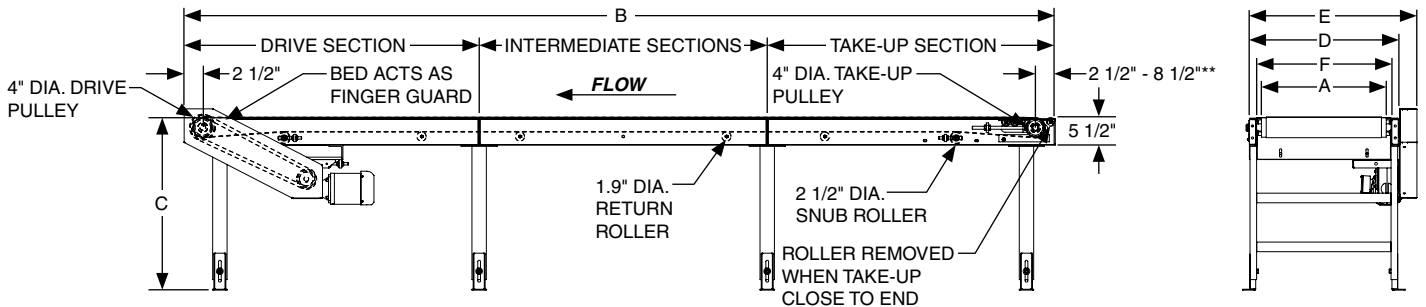
- Stronger welded frame construction than bolt-together frame
- Provides the most versatile means of handling a wide variety of products
- Achieves higher speeds than other conveyor types
- Many belt options for specific applications
- Common applications include assembly, sorting, inspecting and transportation

## WBC - 300 SLIDER BED

<b>A</b>	4" - 48"
<b>B</b>	5' - 100'
<b>C</b>	16" - 89"
<b>D</b>	A + 7"
<b>E</b>	A + 11 3/4"
<b>F</b>	A + 4"

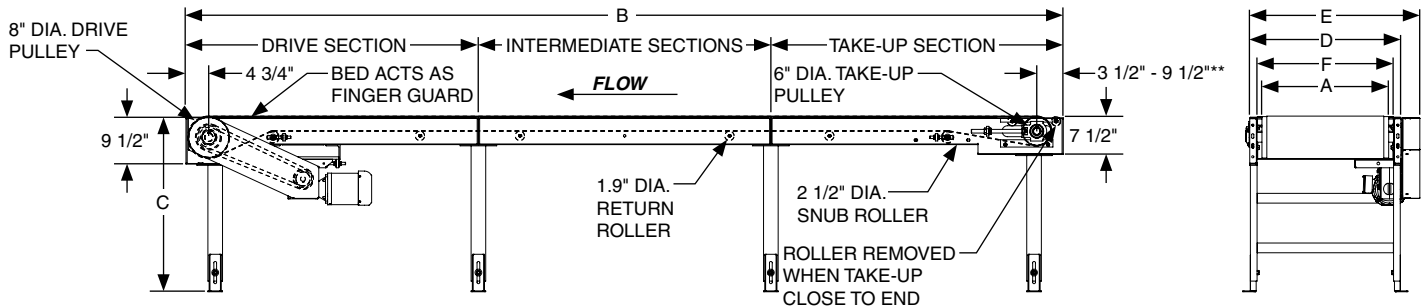
A = Belt Width (BW) (1" Increments)  
 B = Overall Length (OAL) (Any Increment)  
 C = Top of Belt (TOB)  
 D = Bed Width  
 E = Overall Drive Width  
 F = Between Frame (BF)

### 4" END DRIVE



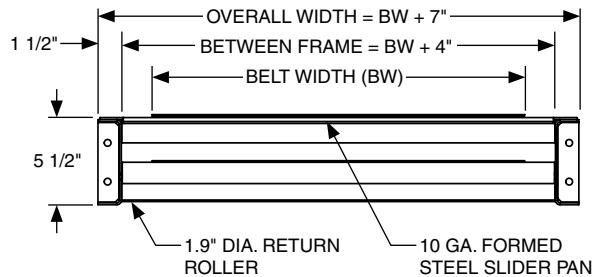
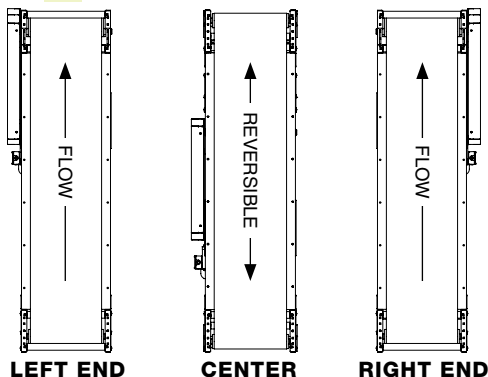
\*\*Dependent upon overall conveyor length

### 8" END DRIVE



\*\*Dependent upon overall conveyor length

## DRIVE LOCATIONS





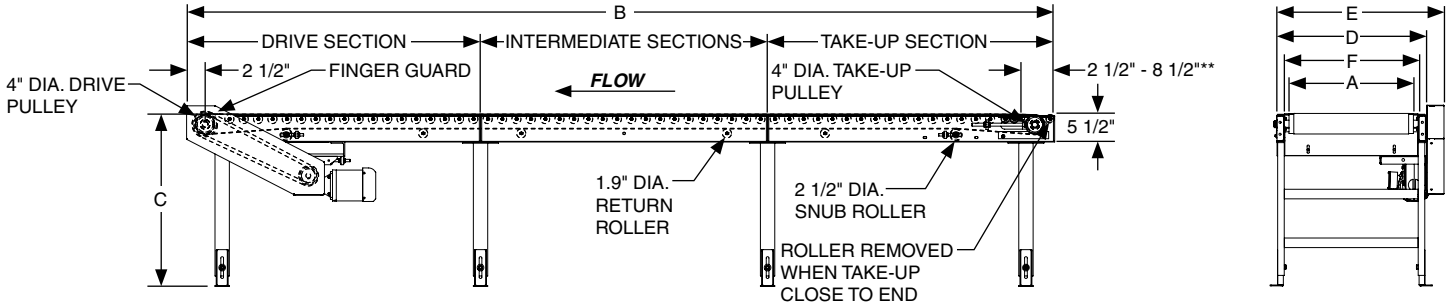
# WBC - 300 ROLLER BED



A	4" - 48"
B	5' - 100'
C	16" - 89"
D	A + 7"
E	A + 11 3/4"
F	A + 4"

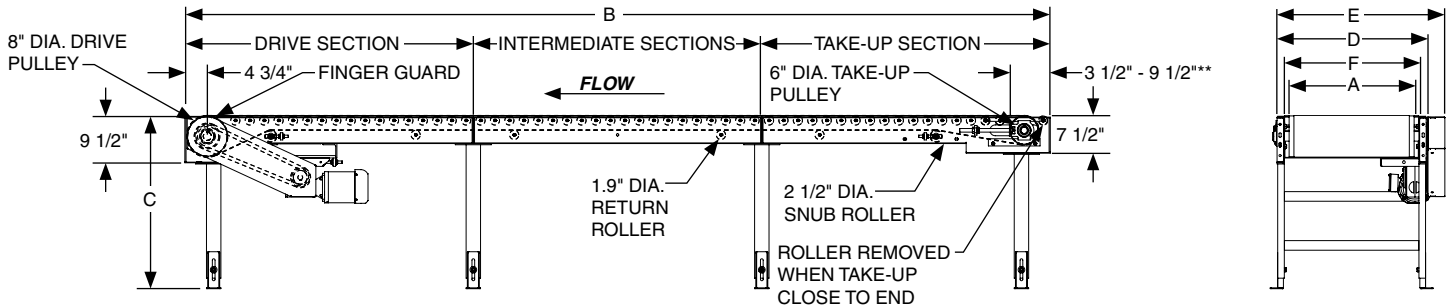
A = Belt Width (BW) (1" Increments)  
 B = Overall Length (OAL) (Any Increment)  
 C = Top of Belt (TOB)  
 D = Bed Width  
 E = Overall Drive Width  
 F = Between Frame (BF)

## 4" END DRIVE

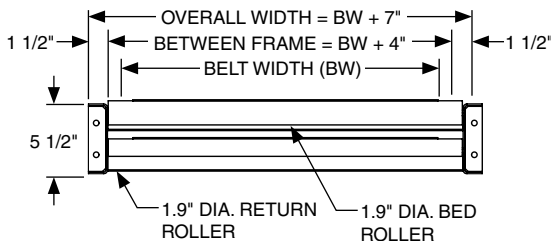


\*\*Dependent upon overall conveyor length

## 8" END DRIVE



\*\*Dependent upon overall conveyor length



## STANDARD SPECIFICATIONS

**CAPACITY** - Maximum load per linear foot of conveyor, 300 lbs. for both Slider Bed and Roller Bed

**BELT** - Black Trackmate 120 with exposed clipper lacing

**SLIDER BED FRAME** - 10 ga. formed steel slider bed pans welded in 5 1/2" high x 10 ga. formed steel channel frames with welded in end couplers

**ROLLER BED FRAME** - 5 1/2" high x 10 ga. formed steel channel frames with welded in end couplers

**ROLLER BED** - 1.9" dia. x 16 ga. mild steel tubes, 7/16" spring retained hex axle, non-precision bearings with 6" roller centers

**CONSTRUCTION** - Welded frames, spreaders and welded in end couplers

**BELT WIDTHS** - 4" to 48" in 1" increments

**OVERALL LENGTH** - 5' to 100' in any increment

**DRIVE STYLE** - Underhung end drive or underhung center drive

**SPEED** - 30 to 120 FPM

**MOTOR** - 1/2 HP through 2 HP, 1750 RPM, C-face, 208-230-460V/3PH/60Hz, TEFC

**REDUCER** - Sealed, worm gear, C-face

**Expanded product parameters available**

**DRIVE SPROCKETS** - RC series sprockets with keyed hub and set screws

**MOUNTED BEARINGS** - Precision, sealed, pre-lubricated, self-aligning, flange mount ball bearing units with cast iron housing

**DRIVE CHAIN** - RC series roller chain

**DRIVE PULLEY** - 4" dia. with 1 3/16" dia. shaft, 8" dia. with 1 7/16" dia. shaft or 8" dia. with 1 11/16" dia. shaft, crowned, fully lagged

**TAIL PULLEY** - 4" dia. with 1 3/16" dia. shaft, 6" dia. at 36" belt width, crowned

**SNUB ROLLERS** - 2 1/2" dia. x 11 ga. mild steel tubes, 11/16" spring retained hex axle, non-precision grease packed bearings

**RETURN ROLLERS** - 1.9" dia. x 16 ga. mild steel tubes, 7/16" spring retained hex axle, non-precision grease packed bearings

**TAKE-UP** - Screw type take-up assembly

**SUPPORTS** - Structural channel H-style, welded 16" to 84" from floor to top of belt. One support at every bed joint and at ends of conveyor. Supports are shipped loose.

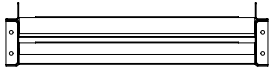
**FINISHES** - Powder coat finish standard. Wet spray available.

# BELT SPECIFICATIONS

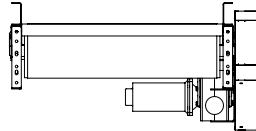
BELT	BLACK TRACKMATE 120	BLACK TRACKMATE 120 ROUGH TOP	BLACK OMNITHANE 150	WHITE PVC 120
Characteristics	Excellent Tracking	Friction Surface	Cut and Abrasion Resistant	Non-Marking
Cover	Embossed PVC	Rough Top PVC	Smooth Polyurethane	Smooth PVC
Strength	120 PIW	120 PIW	150 PIW	120 PIW
Thickness	.1"	.23"	.16"	.14"
Lacing	Clipper			

Other types available upon request

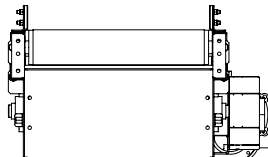
## OPTIONAL EQUIPMENT AND DEVICES



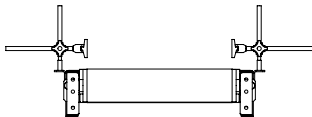
FIXED ANGLE SIDE GUIDES



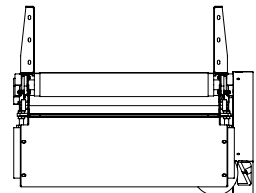
FIXED CHANNEL SIDE GUIDES



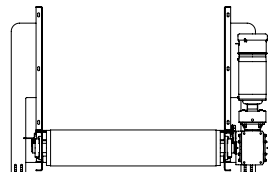
UHMW FIXED ANGLE SIDE GUIDES



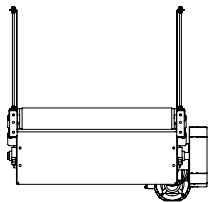
ADJUSTABLE RAIL UHMW SIDE GUIDES



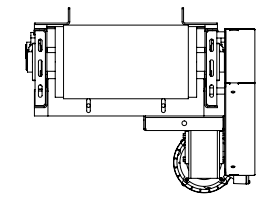
TALL FIXED CHANNEL SIDE GUIDES



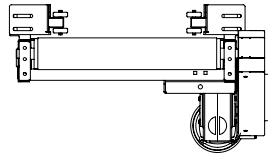
TALL FIXED CHANNEL SIDE GUIDES WITH GUSSETS



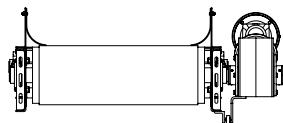
TALL FIXED CHANNEL SIDE GUIDES WITH THREADED ROD



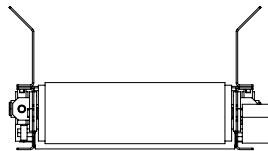
FIXED ANGLE SIDE GUIDES WITH SPACER BAR



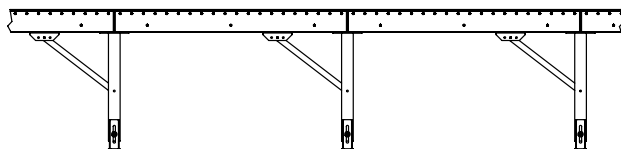
SKATEWHEEL SIDE GUIDES



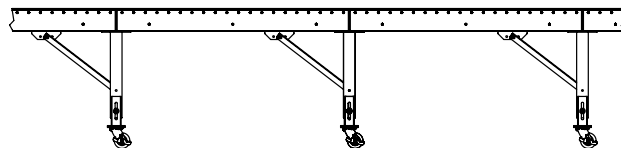
SIDE GUIDES WITH BELT SKIRTS



FLARED SIDE GUIDES  
SIDE GUIDES



KNEE BRACE SUPPORTS



PORTABLE H-STANDS  
SUPPORTS

**SIDE GUIDES** - Available in fixed or adjustable with multiple contact surfaces. Allows product to be guided and kept in place within the conveying surface. Side guides are bolted to the conveyor frame.

**Fixed Angle Side Guides** - Standard 1 1/2" x 2" high or 1 1/2" x 6" high formed, 10 ga. angle

**Fixed Channel Side Guides** - Standard 2 1/2" high or 3 1/2" high, 10 ga. formed channel

**UHMW Fixed Angle Side Guides** - Replaceable UHMW face provides wear protection for angle guides

**Adjustable Rail UHMW Side Guides** - Replaceable UHMW face provides wear protection on rails, width and height adjustable

**Tall Fixed Channel Side Guides** - Higher formed angle for tall product

**Tall Fixed Channel Side Guides with Gussets** - Higher formed and gusseted angle for tall product

**Tall Fixed Channel Side Guides with Threaded Rod** - Higher formed angle with threaded rod adjustment for tall product

**Fixed Angle Side Guides with Spacer Bar** - Spacer bar allows side guide to overlap belt to remove gap

**Skatwheeler Side Guides** - Vertically mounted skatwheels

**Side Guides with Belt Skirts** - Belt skirts attached to formed angle to keep product off the belt edges

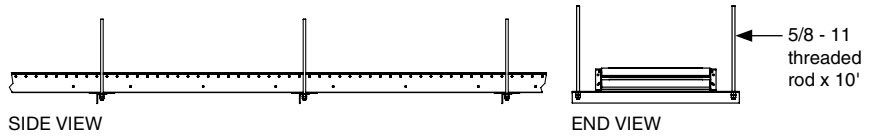
**Flared Side Guides** - Funnel type side guides for guiding product during loading (v-guided belt only)

**SUPPORTS** - Available with caster options for portability. Supports are designed to be bolted to the conveyor frame. Supports are shipped loose.

**Knee Brace Supports**  
**Portable H-Stands**

## OPTIONAL EQUIPMENT AND DEVICES

**CEILING HANGERS** - Allows conveyor to be suspended from the ceiling. Threaded rod is attached to support steel under the conveyor frame. Ceiling attachments to threaded rod by others.



SIDE VIEW  
**CEILING HANGERS**

### BELT LACING

Recessed

Hidden

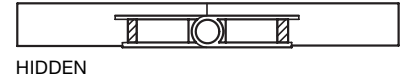
Flapover

Standard (Exposed)

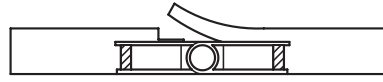
*Other types available*



RECESSED



HIDDEN



FLAPOVER  
**BELT LACING**



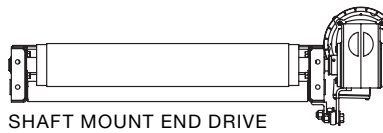
STANDARD (EXPOSED)

### DRIVE STYLE

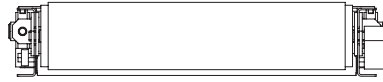
Shaft Mount End Drive

Overtop End Drive

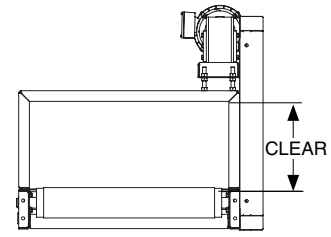
Motorized Pulley



SHAFT MOUNT END DRIVE

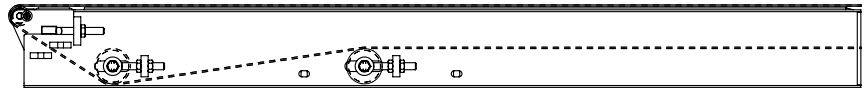


MOTORIZED PULLEY  
**DRIVE STYLE**



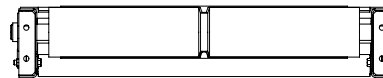
OVERTOP END DRIVE

**NOSE ROLLER** - Ideal for small product transfer. Must be center driven.



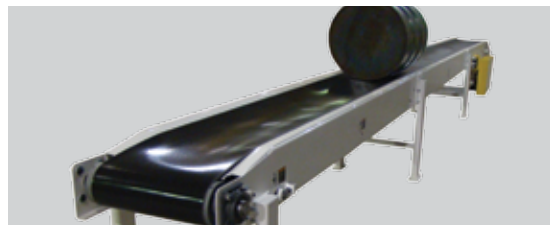
**NOSE ROLLER**

**V-GUIDED CONSTRUCTION** - Required if length-to-belt width ratio is less than 2.5:1. Uses 5 1/2" x 1 1/2" x 12 ga. galvanized frame. Not available with center drive. Proper belt tracking still required.



**V-GUIDED CONSTRUCTION**

**TROUGH CONVEYOR** - Conveys cylindrical products. Conveyor slider or roller bed is V-shaped.



**TROUGH CONVEYOR**

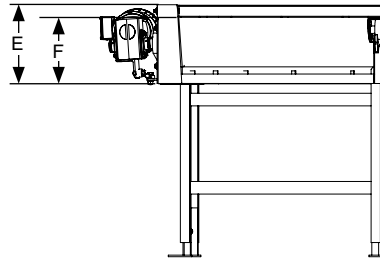
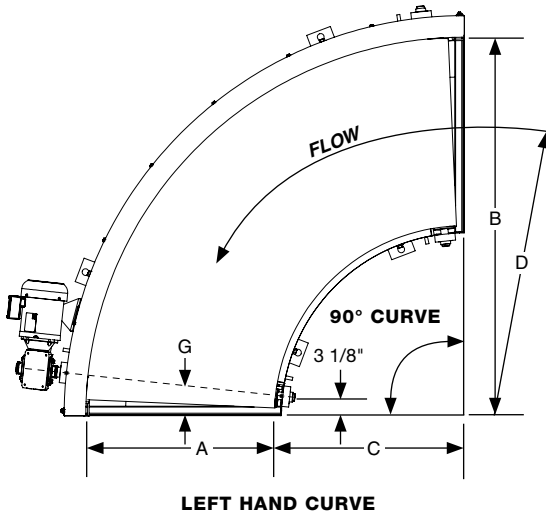
**STAINLESS STEEL** - Conveyors are available in stainless steel materials for washdown applications or harsh environments

# BCCU BELT CONVEYOR CURVE



## WHY BCCU?

- Provides the most versatile means of handling a wide variety of products
- 45°, 60°, 90°, 180° and special degree curves in 1° increments
- Achieves higher speeds than other conveyor types
- Many belt options for specific applications
- Precision, low maintenance belt guidance system
- Rigid, welded construction provides smooth conveyance even at higher speeds
- Common applications include assembly, sorting, inspecting and transportation

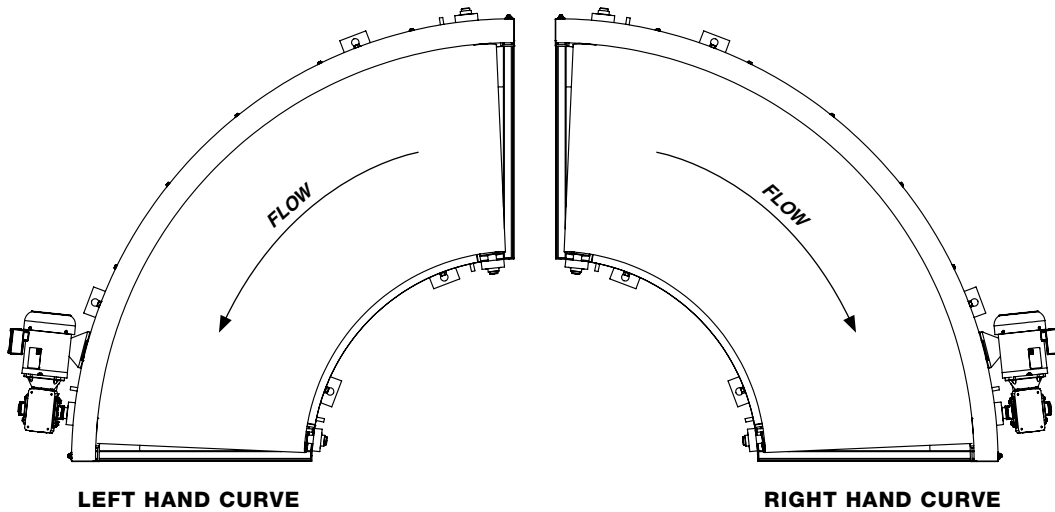


A = Belt Width (BW) (1" Increments)  
 B = Outside Radius (OR)  
 C = Inside Radius (IR)  
 D = Center Line Radius  
 E = Frame Height  
 F = Bottom of Frame to TOB  
 G = Gap

## STANDARD CONFIGURATIONS

OUTSIDE RADIUS	BELT WIDTH	INSIDE RADIUS	CENTER LINE RADIUS	FRAME HEIGHT	BOTTOM OF FRAME TO TOB	GAP (APPROX.) AT D OR CENTER LINE RADIUS			MAXIMUM DISTRIBUTED LIVE LOAD
						MIN	MAX	NORM	
B (in.)	A (in.)	C (in.)	D (in.)	E (in.)	F (in.)	G (in.)			(lbs.)
36	6	30	33	9 7/16	7 9/16	3 1/8	4 1/8	3 3/8	400
	8	28	32			3	4	3 1/4	
	12	24	30			2 7/8	3 3/4	3 1/8	
48	12	36	42	10 15/16	9 1/16	3 5/8	5 1/8	4	400
	18	30	39			3 1/4	4 3/4	3 5/8	
	20	28	38			3 1/4	4 5/8	3 5/8	
	24	24	36			3	4 3/8	3 3/8	
60	24	36	48	12 3/8	10 9/16	4 1/8	5 7/8	4 9/16	600
	30	30	45			3 7/8	5 7/8	4 3/8	
	36	24	42			3 5/8	5 1/8	4	
72	36	36	54	13 7/8	12	4 1/4	6 5/8	4 7/8	700
	42	30	51			4	6 1/4	4 5/8	
	48	24	48			3 3/4	5 7/8	4 1/4	
87	36	51	69	12 3/4	10 7/8	4 1/4	7 1/4	5	800
	42	45	66			4 1/8	6 7/8	4 7/8	
	48	39	63			3 7/8	6 5/8	4 5/8	
114	42	72	93	12 3/4	10 7/8	4 1/2	7 3/4	6	800
	48	66	90			4 1/8	7 1/4	5 3/4	
	52	62	88			4	7	5 5/8	

## DRIVE SPECIFICATIONS



## STANDARD SPECIFICATIONS

**BELT** - Black Trackmate 120 with exposed clipper lacing

**GUIDE WHEELS** - Precision bearing, nylon wheel

**BED FRAME** - 10 ga. formed steel slider bed pans welded in 5 1/2" high x 10 ga. formed steel channel frames with welded in end couplers

**CONSTRUCTION** - Welded frames, spreaders and welded in end couplers

**BELT WIDTH** - 6" to 52" in 1" increments

**CURVE DEGREES** - 45°, 60°, 90°, 180° and special degree curves in 1° increments

**DRIVE STYLE** - Shaft mount end drive

**SPEED** - Up to 200 FPM

**MOTOR** - 1/2 HP through 2 HP, 1750 RPM, C-face, 208-230-460V/3PH/60Hz, TEFC

Expanded product parameters available. For more information see Tech Handbook.

**REDUCER** - Sealed, worm gear, C-face

**MOUNTED BEARINGS** - Precision, sealed, pre-lubricated, self-aligning, flange mount ball bearing units with cast iron housing

**DRIVE PULLEY** - Tapered pulley with 1/4" vulcanized lagging

**TAIL PULLEY** - Tapered pulley

**TAKE-UP** - Screw type take-up assembly

**SUPPORTS** - Adjustable H-style, welded 12" to 88" from floor to top of roller. One support at every bed joint and at ends of conveyor. Supports are shipped loose.

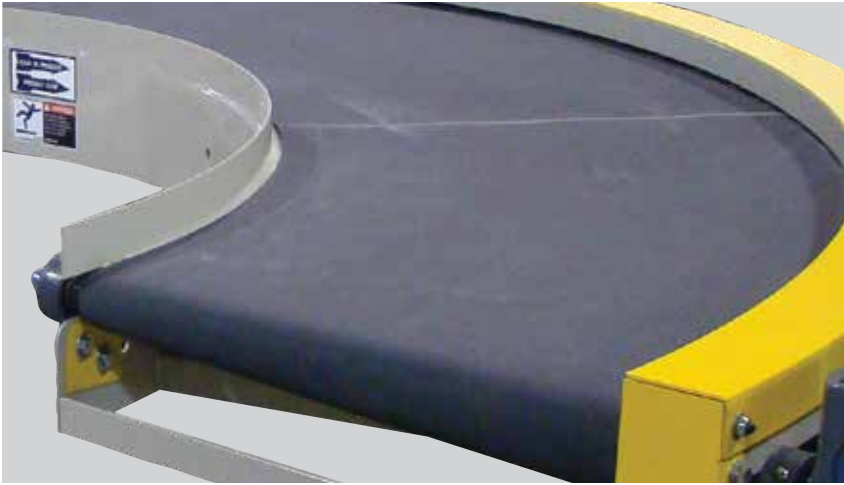
**FINISHES** - Powder coat finish standard. Wet spray available.

## STANDARD BELT SPECIFICATIONS

BELT	BLACK TRACKMATE 120	BLACK TRACKMATE 120 ROUGH TOP	BLACK OMNITHANE 150	WHITE PVC 120
Characteristics	Excellent Tracking	Friction Surface	Cut and Abrasion Resistant	Non-Marking
Cover	Embossed PVC	Rough Top PVC	Smooth Polyurethane	Smooth PVC
Strength	120 PIW	120 PIW	150 PIW	120 PIW
Thickness	.1"	.23"	.16"	.14"
Lacing	Clipper			

Other types available upon request

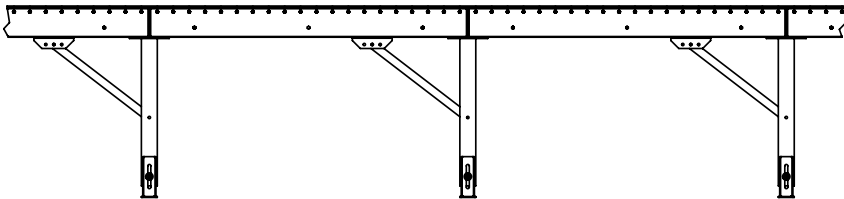
## OPTIONAL EQUIPMENT AND DEVICES



FIXED ANGLE SIDE GUIDES  
**SIDE GUIDES**

**SIDE GUIDES** - Allows product to be guided and kept in place within the conveying surface. Side guides are welded to the conveyor frame.

**Fixed Angle Side Guides** - 10 ga. rolled, 2" high. Other heights available.

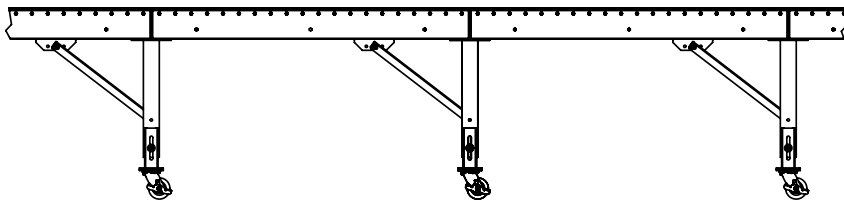


**KNEE BRACE SUPPORTS**

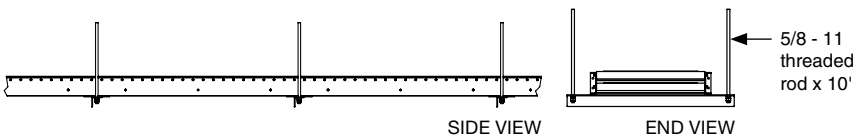
**SUPPORTS** - Available with caster options for portability. Supports are designed to be bolted to the conveyor frame. Supports are shipped loose.

**Knee Brace Supports**

**Portable H-Stands**



PORTABLE H-STANDS  
**SUPPORTS**

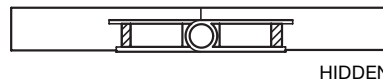


**CEILING HANGERS**

**CEILING HANGERS** - Allows conveyor to be suspended from the ceiling. Threaded rod is attached to support steel under the conveyor frame. Ceiling attachments to threaded rod by others.



RECESSED



HIDDEN

### **BELT LACING**

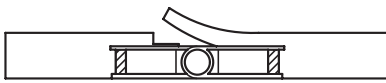
Recessed

Hidden

Flapover

Standard (Exposed)

*Other types available*



FLAPOVER



STANDARD (EXPOSED)

**BELT LACING**

**STAINLESS STEEL** - Conveyors are available in stainless steel materials for washdown applications or harsh environments





# CHAIN DRIVEN LIVE ROLLER CONVEYOR

## SECTION CONTENT

Straight

Curve

Optional Equipment and Devices





# CDLR CHAIN DRIVEN LIVE ROLLER CONVEYOR

## WHY CDLR?



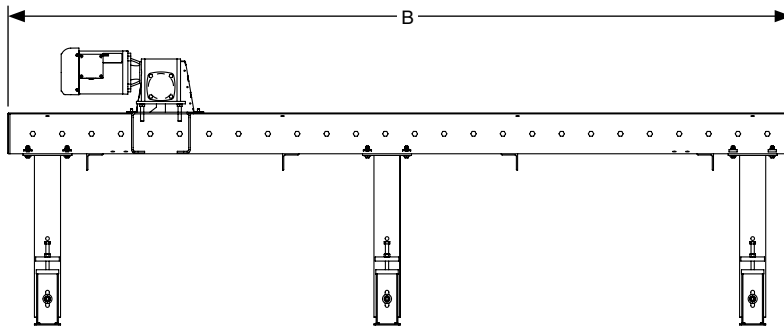
- Roller size and centers optimized to handle nearly any load
- Positive drive using roller to roller chain and sprockets
- Withstands even the toughest environments and abrasive applications
- Robust, welded construction using structural steel with nearly unlimited between frame dimensions, length options and roller diameters
- Available with your standard color, labels and component choices including special brand motors, reducers, chain and bearings
- Roller coatings, heat treat, frame cut outs and modifications, fork loading protection and other specialized provisions are our "standard"
- Common applications include palletizing, filling, load staging, robotic cells, stretch wrapping, strapping and transportation

## CHAIN DRIVEN LIVE ROLLER CONVEYOR - STRAIGHT

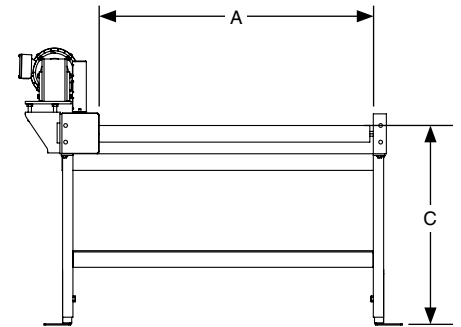
	1.9"	2 1/2"	2 9/16"	3 1/2"	4"
<b>A</b>	12" - 54"	12" - 64"	12" - 96"	12" - 120"	
<b>B</b>	3' - 50'				
<b>C</b>	12" - 60"				

A = Effective Width (Any Increment)  
 B = Overall Length (OAL) (Any Increment)  
 C = Top of Roller (TOR)

Up to 8" roller diameter available

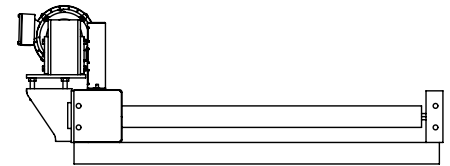


Shown with jackbolt leg supports

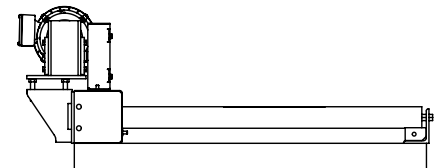


## ROLLER SPACING, CHAIN AND SPROCKET SPECIFICATIONS

LACING OPTIONS	CHAIN SIZE	MINIMUM ROLLER SPACING (in.)				
		1.9"	2 1/2"	2 9/16"	3 1/2"	4"
<b>STANDARD LACING - CHAIN GUARD ONE SIDE</b>						
	40	3 1/2	3 3/4	4	N/A	N/A
	50	3 3/4	4 1/16	4 3/8	N/A	N/A
	60	4 1/8	4 1/2	4 1/2	5 5/8	6
	80	N/A	N/A	5 1/2	6	6 1/2
<b>SPECIAL LACING - WIDER CHAIN GUARD ONE SIDE</b>						
	40	2 3/4	3 1/8	N/A	N/A	N/A
	50	3 1/8	3 7/16	3 3/4	N/A	N/A
	60	N/A	3 3/4	3 3/4	4 7/8	N/A
	80	N/A	N/A	N/A	5	N/A
<b>POWER BOTH SIDES - CHAIN GUARD BOTH SIDES</b>						
	40	2 1/4	2 3/4	2 3/4	N/A	N/A
	50	2 1/2	2 13/16	2 13/16	N/A	N/A
	60	2 1/4	3	3	3 3/4	N/A
	80	N/A	N/A	3 1/4	3 3/4	N/A



ROLLERS LOW



ROLLERS HIGH/LOW

Chart applies to straight CDLR only

# HORSEPOWER AND LOAD SPECIFICATIONS

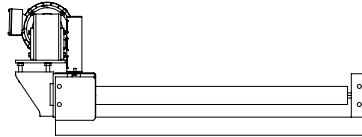
## STRAIGHT CDLR GENERAL HORSEPOWER GUIDELINES

ROLLER	PRODUCT WEIGHT	UP TO 10'		UP TO 20'			UP TO 30'			UP TO 40'			UP TO 50'			
		2 Products		4 Products			6 Products			8 Products			10 Products			
		30 FPM	45 FPM	60 FPM	30 FPM	45 FPM	60 FPM	30 FPM	45 FPM	60 FPM	30 FPM	45 FPM	60 FPM	30 FPM	45 FPM	60 FPM
1.9"	500	1/2	1/2	1/2	1/2	1/2	1/2	1/2	1/2	3/4	1/2	3/4	1	3/4	1	1 1/2
	1000	1/2	1/2	3/4	1/2	3/4	3/4	3/4	1	1 1/2	3/4	1 1/2	1 1/2	1	1 1/2	2
2 1/2"	2000	1/2	3/4	3/4	3/4	1 1/2	1 1/2	1 1/2	2	N/A	1 1/2					
	2500	1/2	3/4	1	1	1 1/2	2	1 1/2	2							
2 9/16"	3000	3/4	1	1 1/2	1 1/2	2	N/A	2								
	3500	3/4	1	1 1/2	1 1/2	2										
3 1/2"	4000	1	1 1/2	1 1/2	2											
	6000	1 1/2	2													
4"	10000	2	3													

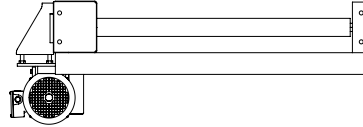
- Multiple drives or conveyor sections may be needed to meet application capacity/speed requirements
- Other roller, speed and horsepower combinations are available
- Greater horsepower available per application
- Chart applies to straight CDLR only



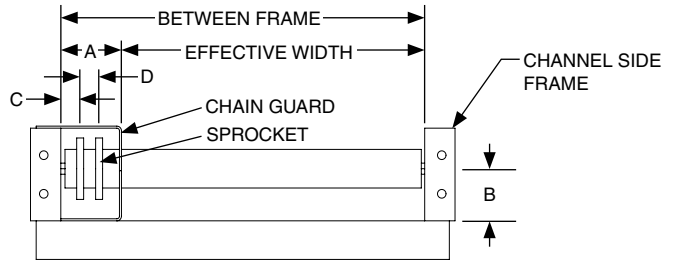
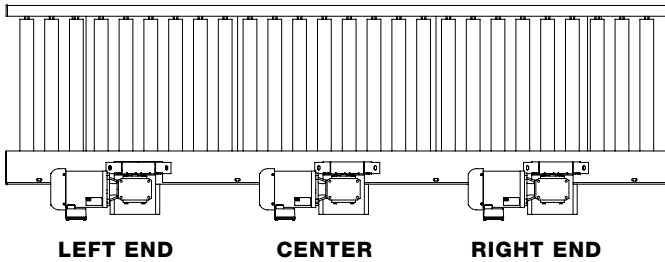
BELOW AND WITHIN



SIDE HIGH



SIDE LOW



## STANDARD CONFIGURATIONS

ROLLER DIAMETER (in.)	CHAIN	SPROCKET	TUBE DETAIL		AXLE DETAIL			MAXIMUM LOAD (lbs.)	FRAME	OPTIONAL SIDE FRAME		CHAIN BOX A (in.)	ROLLER CENTER LINE HEIGHT B (in.)	SPROCKET LOCATION	
	Series	Type	Wall Thickness (in.)	Material	Size (in.)	Type	Retention*		Structural Channel	Channel	Angle (in.)			C (in.)	D (in.)
1.9	40	40A18	0.145	Mild Steel or Galvanized	7/16	Hex	Spring or Pin	1500	5 x 6.7#	N/A	3 1/2 x 2 1/2 x 5/16	3 1/4	2 3/4	1 1/8	1 1/8
	50	50A15	0.145	Mild Steel or Galvanized	7/16	Hex	Spring or Pin	1500	5 x 6.7#	N/A	3 1/2 x 2 1/2 x 5/16	3 1/4	2 3/4	1 1/8	1 1/8
	60	60A13	0.145	Mild Steel or Galvanized	7/16	Hex	Spring or Pin	1500	6 x 8.2#	4 x 5.4#	4 x 3 x 5/16	4	3 1/4	1 1/4	1 1/4
2 1/2	40	40A22/40A21	11 ga.	Mild Steel or Galvanized	11/16	Hex	Spring or Pin	3500	5 x 6.7#	N/A	3 1/2 x 2 1/2 x 5/16	3 1/4	2 5/8	1 1/8	1 1/8
	50	50A17	11 ga.	Mild Steel or Galvanized	11/16	Hex	Spring or Pin	3500	5 x 6.7#	N/A	3 1/2 x 2 1/2 x 5/16	3 1/4	2 5/8	1 1/8	1 1/8
	60	60A15	11 ga.	Mild Steel or Galvanized	11/16	Hex	Spring or Pin	3500	6 x 8.2#	4 x 5.4#	4 x 3 x 5/16	4	3	1 1/4	1 1/4
2 9/16	40	40A22	0.180	Mild Steel	11/16	Hex	Spring or Pin	3500	5 x 6.7#	N/A	3 1/2 x 2 1/2 x 5/16	3 1/4	2 5/8	1 1/8	1 1/8
	50	50A18	0.180	Mild Steel	11/16	Hex	Spring or Pin	3500	5 x 6.7#	N/A	3 1/2 x 2 1/2 x 5/16	3 1/4	2 5/8	1 1/8	1 1/8
	60	60A15	0.180	Mild Steel	11/16	Hex	Spring or Pin	3500	6 x 8.2#	4 x 5.4#	4 x 3 x 5/16	4	3	1 1/4	1 1/4
	80	80A13	0.180	Mild Steel	11/16	Hex	Spring or Pin	3500	6 x 8.2#	4 x 5.4#	4 x 3 x 5/16	4 1/4	3 1/4	1 1/4	1 3/4
3 1/2	60	60A20	0.300	Mild Steel	1 1/16	Hex	Pin	6000	7 x 9.8#	5 x 6.7#	5 x 3 x 5/16	4	3 1/2	1 1/4	1 1/4
	80	80A16	0.300	Mild Steel	1 1/16	Hex	Pin	6000	8 x 11.5#	6 x 8.2#	6 x 4 x 3/8	4 1/4	4 1/2	1 1/4	1 3/4
	100	100A13	0.300	Mild Steel	1 1/16	Hex	Pin	6000	8 x 11.5#	6 x 8.2#	6 x 4 x 3/8	5	4 1/2	1 3/8	2
3 1/2	60	60A20	0.300	Mild Steel	1 7/16	Round	Pin	10000	7 x 9.8#	5 x 6.7#	5 x 3 x 5/16	4	3 1/2	1 1/4	1 1/4
	80	80A16	0.300	Mild Steel	1 7/16	Round	Pin	10000	8 x 11.5#	6 x 8.2#	6 x 4 x 3/8	4 1/4	4 1/2	1 1/4	1 3/4
	100	100A13	0.300	Mild Steel	1 7/16	Round	Pin	10000	8 x 11.5#	6 x 8.2#	6 x 4 x 3/8	5	4 1/2	1 3/8	2
4	60	60A22	0.500	Mild Steel	1 7/16	Round	Pin	15000	8 x 11.5#	6 x 8.2#	6 x 4 x 1/2	4	4 1/2	1 1/4	1 1/4
	80	80A17	0.500	Mild Steel	1 7/16	Round	Pin	15000	8 x 11.5#	6 x 8.2#	6 x 4 x 1/2	4 1/4	4 1/2	1 1/4	1 3/4
	100	100A14	0.500	Mild Steel	1 7/16	Round	Pin	15000	8 x 11.5#	6 x 8.2#	6 x 4 x 1/2	5	4 1/2	1 3/8	2

\*Dependent upon between frame dimension

# STANDARD SPECIFICATIONS

**ROLLERS** - 1.9" dia. x .145" wall mild steel tube, 7/16" pin or spring retained hex axle. 2 1/2" dia. x 11 ga. mild steel tube, 11/16" pin or spring retained hex axle. 2 9/16" dia. x .180" wall mild steel tube, 11/16" pin or spring retained hex axle. 3 1/2" dia. x .300" wall mild steel tube, 1 1/16" pin retained hex axle. 4" dia. x 1/2" wall mild steel tube, 1 7/16" round axle retained by keeper bar and pin. With ABEC precision or non-precision bearings.

**ROLLER CHAIN** - #40, #50, #60, #80 and #100 series sprockets

**CHAIN GUARD** - 10 ga. formed steel upper and lower. Lower portion welded to bottom of frame; upper portion bolted to top of side frame to totally enclosed drive chains. Upper portion powder coated safety yellow.

**FRAME** - Structural channel for drive side, structural channel or angle for idler side

**CONSTRUCTION** - Welded frames, spreaders and end couplers

**EFFECTIVE WIDTHS** - 1.9" roller 12" to 54", 2 1/2" and 2 9/16" roller 12" to 64", 3 1/2" roller 12" to 96" and 4" roller 12" to 120" in any increment

**OVERALL LENGTH** - 3' to 50' in any increment

Expanded product parameters available. For more information see Tech Handbook.

**DRIVE STYLE** - Side high, side low or below and within

**SPEED** - Up to 150 FPM for straights and 80 FPM for curves

**MOTOR** - 1/4 HP through 5 HP, 1750 RPM, C-face, 208-230-460V/3PH/60Hz, TEFC

**REDUCER** - Sealed, worm gear, C-face

**DRIVE SPROCKETS** - RC series sprockets with keyed hub and set screws

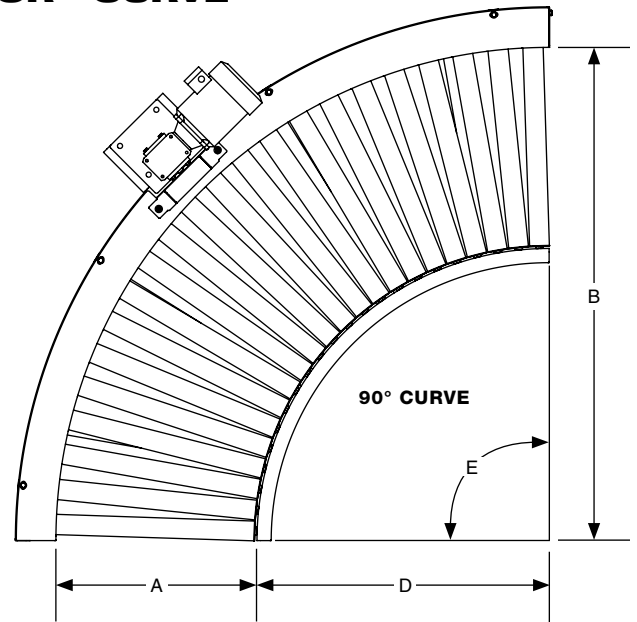
**MOUNTED BEARINGS** - Precision, sealed, pre-lubricated, self-aligning, flange mount ball bearing units with cast iron housing

**DRIVE CHAIN** - RC Series roller chain

**SUPPORTS** - Structural channel H-style, welded 12" to 60" from floor to top of roller. Supports are shipped loose.

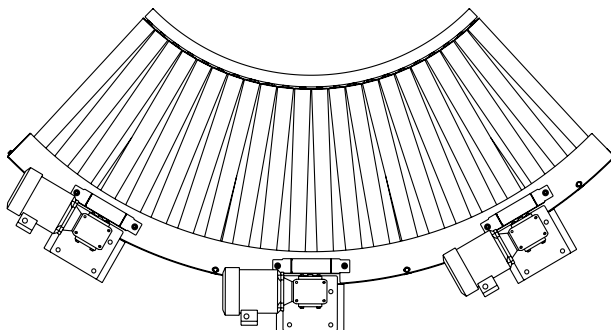
**FINISHES** - Powder coat finish standard. Wet spray available.

## CHAIN DRIVEN LIVE ROLLER CONVEYOR - CURVE



	Straight Rollers			True Tapered Rollers			
	1.9"	2 1/2"	2 9/16"	3 1/2"	1.9" Core	2 1/2" Core	2 9/16" Core
<b>A</b>	12" - 54"	12" - 64"	12" - 94"	12" - 94"	12" - 60"	12" - 48"	12" - 45"
<b>B</b>	Up to 116"			Up to 116"			
<b>C</b>	12" - 60"			12" - 60"			
<b>D</b>	36" Minimum			36" Minimum			
<b>E</b>	30°, 45°, 60°, 90°, 180° and Special Degree Curves in 1° Increments						

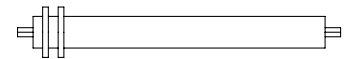
- A = Effective Width (Any Increment)
- B = Outside Radius (OR)
- C = Top of Roller (TOR)
- D = Inside Radius (IR)
- E = Degree



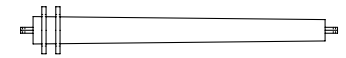
LEFT END

CENTER

RIGHT END



STRAIGHT ROLLER



STANDARD TAPER



CUSTOM "TRUE" TAPER

## OPTIONAL EQUIPMENT AND DEVICES

**SIDE GUIDES** - Available in fixed or adjustable with multiple contact surfaces. Allows product to be guided and kept in place within the conveying surface. Side guides are typically bolted to the conveyor frame.

**Fixed Angle Side Guides** - Standard 2" high or 6" high, 12 ga. formed angle

**Adjustable Angle Side Guides** - Replaceable UHMW face provides wear protection for angle guides

**UHMW Lined Fixed Angle Side Guides** - Angle guides typically formed angle, width adjustable

**Skatewheel Guides** - Vertically mounted skatewheels

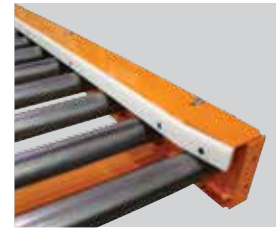
**Roller Side Guides** - Vertically mounted rollers



FIXED ANGLE SIDE GUIDES



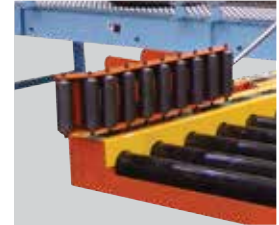
ADJUSTABLE ANGLE SIDE GUIDES



UHMW LINED FIXED ANGLE SIDE GUIDES



SKATEWHEEL SIDE GUIDES



ROLLER SIDE GUIDES

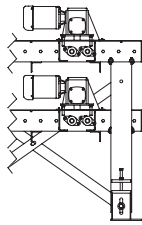
**SUPPORTS** - Available in single or multi-tier and with caster options for portability. Supports are designed to be bolted or welded to the conveyor frame. Supports are shipped loose.

**Multi-Tier Supports**

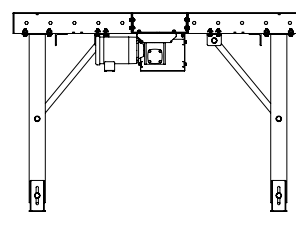
**Knee Brace Supports**

**Welded Structural Steel with Jackbolts**

**Portable H-Stands**



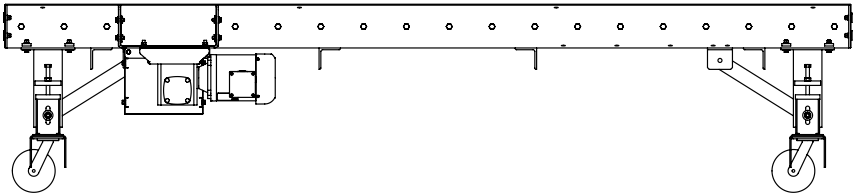
MULTI-TIER SUPPORTS



KNEE BRACE SUPPORTS



WELDED STRUCTURAL STEEL WITH JACKBOLTS



PORTABLE H-STANDS

**END STOPS** - Allows product to stop at the end of a conveyor line. Fixed and adjustable end stops are available.

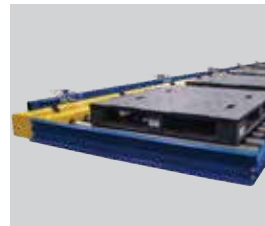
**Adjustable End Stop** - Formed or structural steel adjustable end stop bolted to conveyor frame with manually adjusted stop position. Height is not adjustable.

**Fixed End Stop** - Structural channel bolted or welded to end of conveyor with optional structural angle reinforcement. Fixed stops can include fork cut outs for loading and unloading.

**Back Stop** - Fixed or adjustable back stop allows for easy product positioning when loading



ADJUSTABLE END STOP

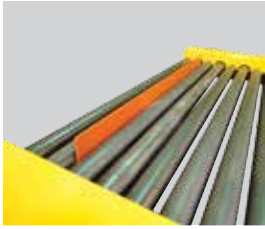


FIXED END STOP

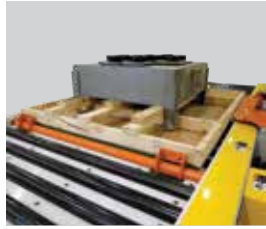


BACK STOP

## OPTIONAL EQUIPMENT AND DEVICES



POP-UP BLADE STOP



ROTATING BLADE STOP



PIN STOP

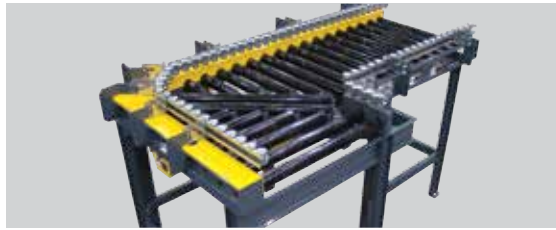
### PIN AND BLADE STOPS

**PIN AND BLADE STOPS** - Pneumatically or manually operated pin or blade that pops up between rollers to accumulate product

**Pop-Up Blade Stop** - Used to stop products in the conveying line. Mounted to underside of conveyor. Pneumatic cylinder raises blade.

**Rotating Blade Stop** - Allows product placement within a lower mechanical profile

**Pin Stop** - Mounted to underside of conveyor. Pneumatic cylinder raises pins. Typically utilized on round product.



SQUARE 90

**SQUARE 90** - Allows round product to navigate corners. Bolts in line with CDLR straight sections.



CHAIN TRANSFER

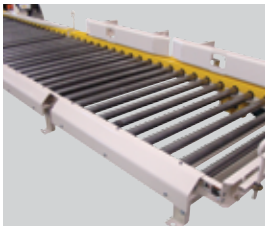


V-BELT TRANSFER  
TRANSFER DEVICE

**TRANSFER DEVICE** - A pneumatic operated lifting device that raises above the roller surface to transfer product off at 90°.

Chain Transfer

V-Belt Transfer



FORK DEFLECTOR



FORK POCKETS

**FORK TRUCK INTERFACE** - Fork truck loading and unloading interface can be provided to minimize damage to the conveyor, guide the forks to the correct lifting point on the product load or funnel the load to the correct loading point on the conveyor. Fork pockets, protection, frame cut outs, deflectors and loading funnel guides are provided as options. Heavy gauge formed steel and structural channel/angle are typically used.

Fork Deflector

Fork Pockets

Fork Protection

Funneling Guides



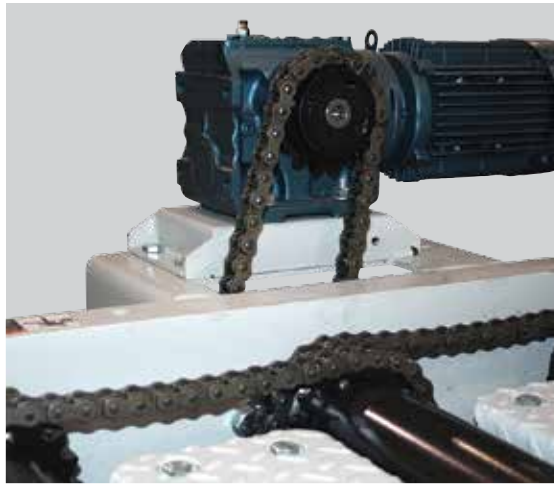
FORK PROTECTION



FUNNELING GUIDES  
FORK TRUCK INTERFACE

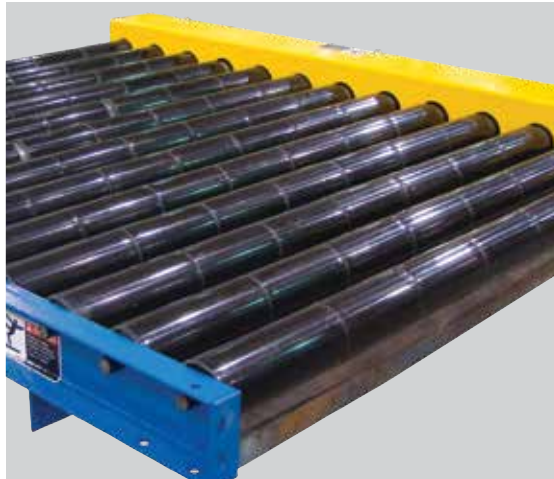
## OPTIONAL EQUIPMENT AND DEVICES

**SINGLE PRECISION DRIVE ROLLER** - Utilizes a single roller mounted to the frame with 2-bolt flange, precision bearings. The easily removable and interchangeable single sprocket allows for close to 180° of chain wrap in every configuration and an added dimension of speed flexibility.



**SINGLE PRECISION DRIVE ROLLER**

**ULTREX SLEEVES** - Slip sleeves for minimum pressure accumulation



**ULTREX SLEEVES**

**ROLLER COATINGS OR SLEEVES** - Rollers available with urethane and vinyl sleeves. Coatings available in cast urethane, millable urethane, black rubber, food grade and other materials based on the application.



**ROLLER COATINGS OR SLEEVES**

**ROLLER OPTIONS** - Non-precision, semi-precision and ABEC precision bearings available. Mild steel, galvanized steel, stainless steel, aluminum and industrial pipe available. Zinc, chrome and nickel plating available.

**STAINLESS STEEL** - Conveyors are available in stainless steel materials for washdown applications or harsh environments



# CHAIN CONVEYOR

## SECTION CONTENT

Chain Conveyor  
Optional Equipment and Devices





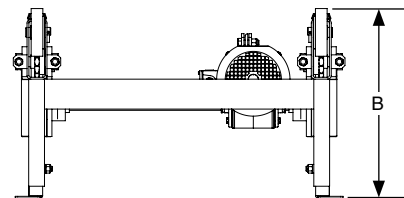
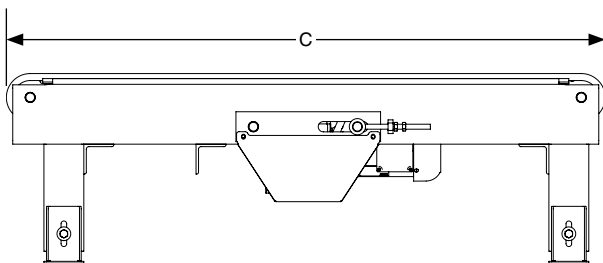
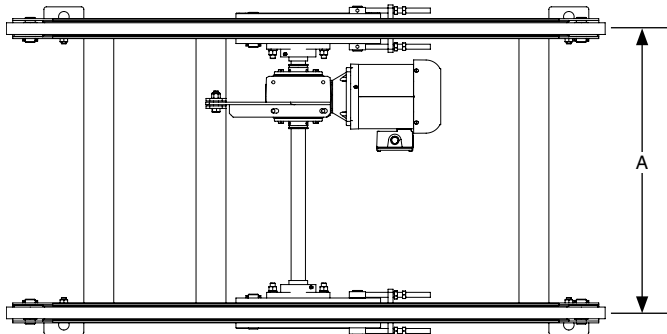
**WHY CC?**



- Ideal for wrong way pallets or oddly shaped items such as truck frames or racks
- Conveys loads with irregular bottoms that won't move on roller conveyor
- Rugged and durable style is made even stronger with our welded, structural tube steel rail design
- Integrates easily in systems with CDLR and transfers
- Common applications include palletizing, filling, load staging, robotic cells, stretch wrapping, strapping and transportation

MAXIMUM CAPACITY	CHAIN	CHAIN TRACK	TOP OF CHAIN	MINIMUM CHAIN CENTERS	MINIMUM LENGTH	HORSEPOWER
(lbs.)	Size	Material	B (in.)	A (in.)	C (ft.)	HP
500	C50	UHMW*	10 - 60	8	3	1/2
1500	C60	UHMW*	14 - 60	9		1/2
2000	C60	UHMW*	14 - 60	9		3/4
3000	C80	UHMW*	15 - 60	14	See Omni Sales	1
4000	C80	Steel	16 - 60	16		2
6000	C100	Steel	18 - 60	16		3

Chart is based on 2 strands at 30 FPM  
 Additional capacities and sizes are available  
 \*Also available with steel track. HP is affected.



# STANDARD SPECIFICATIONS

**CHAIN** - C50, C60, C80, C100 or C120 flat side bar chain

**TRACK** - UHMW polyethylene on C50, C60 and C80 sizes (up to 3000 lbs. depending on speed and footprint) provides wear resistance, quiet operation and reduces power requirements. Special alloy steel track on all sizes for increased load capacity.

**FRAME** - Structural tube chain rails

**CONSTRUCTION** - Welded frames, spreaders and end couplers

**CHAIN CENTERS** - 8" to 96" in any increment

**OVERALL LENGTH** - 3' to 50' in any increment

**DRIVE STYLE** - Center drive

**SPEED** - Up to 100 FPM

**MOTOR** - 1/4 HP through 5 HP, 1750 RPM, C-face, 208-230-460V/3PH/60Hz, TEFC

**Expanded product parameters available**

**REDUCER** - Sealed, worm gear, C-face

**DRIVE SPROCKETS** - C series sprockets with keyed hub and set screws. Idler sprocket assemblies include shaft and internal bearings.

**MOUNTED BEARINGS** - Precision, sealed, pre-lubricated, self-aligning, flange mount ball bearing units with cast iron housing

**DRIVE CHAIN** - RC series roller chain

**TAKE-UP** - Screw type take-up assembly

**SUPPORTS** - Structural channel H-style, welded 12" to 60" from floor to top of chain. Supports are shipped loose.

**FINISHES** - Powder coat finish standard. Wet spray available.

# OPTIONAL EQUIPMENT AND DEVICES

**STRANDS** - Three or more strands available for optimum product support

**SIDE GUIDES** - Available in fixed or adjustable with multiple contact surfaces. Allows product to be guided and kept in place within the conveying surface. Side guides are bolted or welded to the conveyor frame.

**Fixed Angle Side Guides** - Standard 2" high or 6" high, 12 ga. formed angle

**Adjustable Angle Side Guides** - Angle guides typically formed angle, width adjustable

**UHMW Lined Fixed Angle Side Guides** - Replaceable UHMW face provides wear protection for angle guides

**Skatewheel Side Guides** - Vertically mounted skatewheels

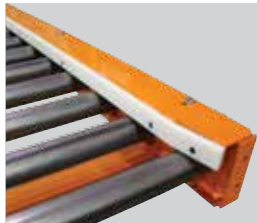
**Roller Side Guides** - Vertically mounted rollers



FIXED ANGLE SIDE GUIDES



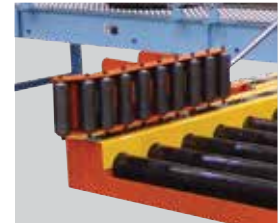
ADJUSTABLE ANGLE SIDE GUIDES



UHMW LINED FIXED ANGLE SIDE GUIDES

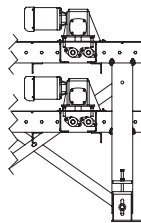


SKATEWHEEL GUIDES

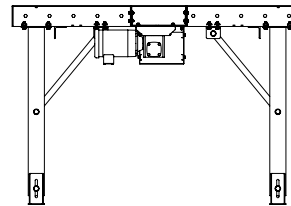


ROLLER SIDE GUIDES

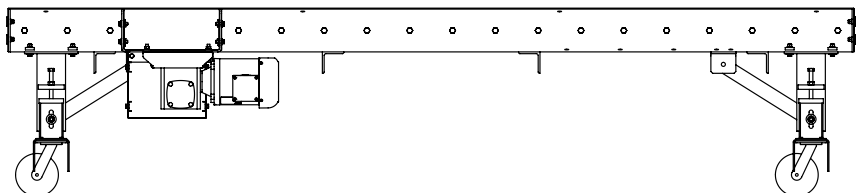
## SIDE GUIDES



MULTI-TIER SUPPORTS



KNEE BRACE SUPPORTS



PORTABLE H-STANDS SUPPORTS

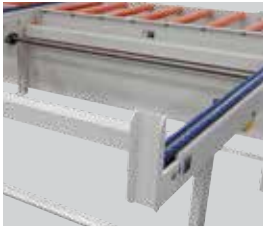
**SUPPORTS** - Available in single or multi-tier and with caster options for portability. Supports are designed to be bolted to the conveyor frame. Supports are shipped loose.

**Multi-Tier Supports**

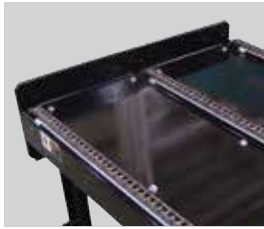
**Knee Brace**

**Portable H-Stands Supports**

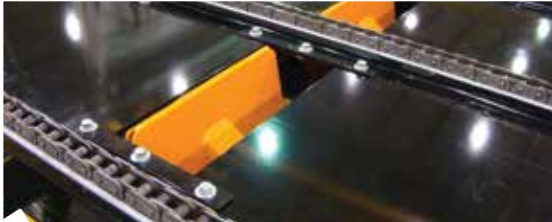
## OPTIONAL EQUIPMENT AND DEVICES



FIXED END STOP (PER STRAND OR WIDTH OF CONVEYOR)



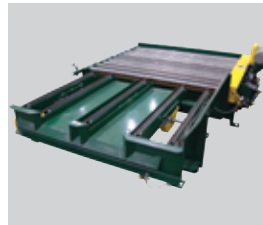
ADJUSTABLE END STOP  
**END STOPS**



PNEUMATIC POP-UP BLADE STOP  
**BLADE STOPS**



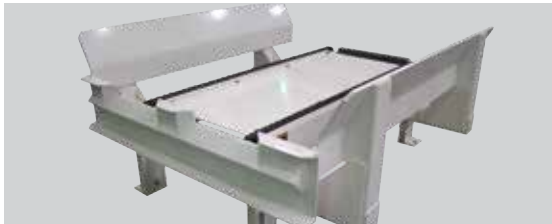
FORK DEFLECTOR



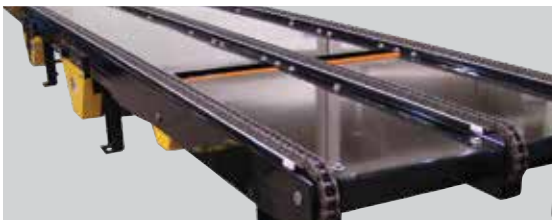
FORK POCKETS



FORK PROTECTION



FUNNELING GUIDES  
**FORK TRUCK INTERFACE**



FILLER PLATE

**END STOPS** - Allows product to stop at the end of a conveyor line. Fixed and adjustable end stops are available.

**Fixed End Stop** (per strand or width of conveyor) - Structural channel bolted or welded to end of conveyor with optional structural angle reinforcement. Fixed stops can include fork cut outs for unloading.

**Adjustable End Stop** - Formed or structural steel adjustable end stop bolted to conveyor frame with manually adjusted stop position. Height is not adjustable.

**BLADE STOPS** - Pneumatically or manually operated blade that pops up in order to accumulate product

**Pneumatic Pop-Up Blade Stop** - Used to stop products in the conveying line. Mounted to underside of conveyor. Pneumatic cylinder raises blade.

**FORK TRUCK INTERFACE** - Fork truck loading and unloading interface can be provided to minimize damage to the conveyor, guide the forks to the correct lifting point on the product load or funnel the load to the correct loading point on the conveyor. Fork pockets, protection, frame cut outs, deflectors and loading funnel guides are provided as options. Heavy gauge formed steel and structural channel/angle are typically used.

Fork Deflector

Fork Pockets

Fork Protection

Funneling Guides

**FILLER PLATE** - Formed steel mounted between strands

**STAINLESS STEEL** - Conveyors are available in stainless steel materials for washdown applications or harsh environments





# CHAIN TRANSFER

## SECTION CONTENT

Chain Transfer

Optional Equipment and Devices



## WHY CT?



- Utilized to transfer products 90° onto an adjacent conveyor using minimal space
- Rugged and durable with our welded, structural tube steel rail design
- Integrates easily into CDLR systems
- Pneumatic airbag, pneumatic cylinder or electric cam actuation are available
- Common applications include palletizing, filling, load staging, robotic cells, stretch wrapping, strapping and transportation

	1.9"	2 1/2"	2 9/16"	3 1/2"	4"
<b>A</b>	12" - 54"	12" - 64"	12" - 96"	12" - 96"	12" - 120"

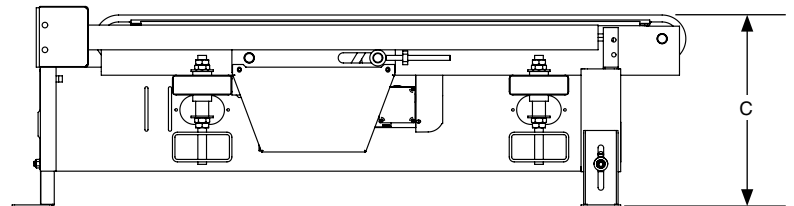
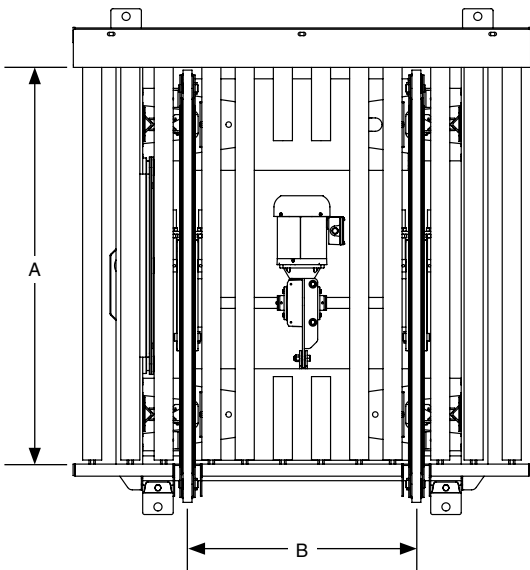
A = CDLR Effective Width (Any Increment)

MAXIMUM CAPACITY (lbs.)	CHAIN Size	CHAIN TRACK Material	TOP OF CHAIN C (in.)	MINIMUM CHAIN CENTERS B (in.)	MINIMUM ROLLER CENTER AT CHAINS (in.)	HORSEPOWER HP
500	C50	UHMW*	15 - 60	8	1.9 dia = 4 3/8 2 1/2 dia = 5 5/16	1/2
1500	C60	UHMW*	16 - 60	9	2 1/2 dia = 6 3 1/2 dia = 7 1/2	1/2
2000	C60	UHMW*	16 - 60	9	2 1/2 dia. = 6 3 1/2 dia. = 7 1/2	3/4
3000	C80	UHMW*	18 - 60	15	2 1/2 dia. = 6 3/4 3 1/2 dia. = 7 1/2	1
4000	C80	Steel	19 - 60	17	2 1/2 dia. = 6 3/4 3 1/2 dia. = 7 1/2	2
6000	C100	Steel	19 - 60	17	3 1/2 dia. = 8 1/2 4 dia. = 9	3

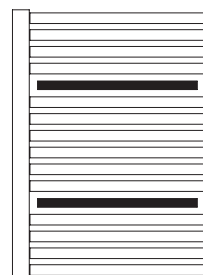
Chart is based on 2 strands at 30 FPM

Additional capacities and sizes are available

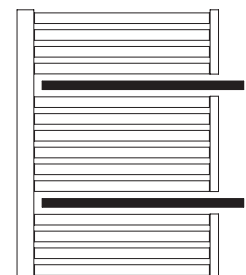
\*Also available with steel track. HP is also affected.



### STANDARD CONFIGURATIONS



WITHIN



CUT THROUGH



## STANDARD SPECIFICATIONS

**CHAIN** - C50, C60, C80, C100 or C120 flat side bar chain

**TRACK** - UHMW polyethylene on C50, C60 and C80 sizes (up to 3000 lbs. depending on speed and footprint) provides wear resistance, quiet operation and reduces power requirements. Special alloy steel track on all sizes for increased load capacity.

**FRAME** - Structural tube chain rails

**CONSTRUCTION** - Welded frames and spreaders

**CHAIN CENTERS** - 8" to 96" in any increment

**ACTUATION** - Pneumatic air bag lift or pneumatic cylinder level lift, plumbed to a common air connection point

**DRIVE STYLE** - Center drive or end drive

**SPEED** - Up to 100 FPM

**MOTOR** - 1/4 HP through 5 HP, 1750 RPM, C-face, 208-230-460V/3PH/60Hz, TEFC

**REDUCER** - Sealed, worm gear, C-face

**DRIVE SPROCKETS** - C series sprockets with keyed hub and set screws. Idler sprocket assemblies include shaft and internal bearings.

**MOUNTED BEARINGS** - Precision, sealed, pre-lubricated, self-aligning, flange mount ball bearing units with cast iron housing

**DRIVE CHAIN** - RC series roller chain

**TAKE-UP** - Screw type take-up assembly

**SUPPORTS** - Structural channel H-style, welded 12" to 60" from floor to top of chain. Supports are shipped loose.

**FINISHES** - Powder coat finish standard. Wet spray available.

**Expanded product parameters available**

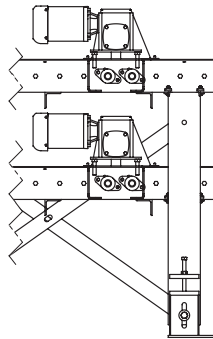
## OPTIONAL EQUIPMENT AND DEVICES

**STRANDS** - Three or more strands available for optimum product support

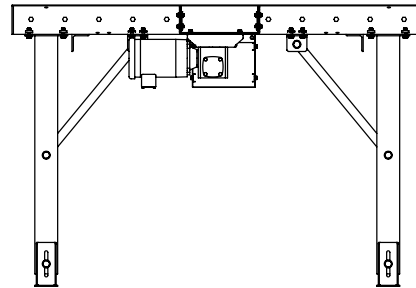
**SUPPORTS** - Available in single or multi-tier. Supports are designed to be bolted or welded to the conveyor frame. Supports are shipped loose.

Multi-Tier Supports

Knee Brace Supports



MULTI-TIER SUPPORTS  
SUPPORTS



KNEE BRACE SUPPORTS

**STAINLESS STEEL** - Conveyors are available in stainless steel materials for washdown applications or harsh environments



# GRAVITY CONVEYOR

## SECTION CONTENT

- Gravity Roller Conveyor
  - Straight
  - Curve
  - Straight and Curve Spur
- Gravity Roller Conveyor - Welded Construction
  - Straight
  - Curve
- Gravity Skatowheel Conveyor
  - Straight
  - Curve
  - Straight and Curve Spur
- Gravity Flowrail
- Wheels
- Ball Transfer Table
- Supports
- Optional Equipment and Devices
- Mounting Hardware



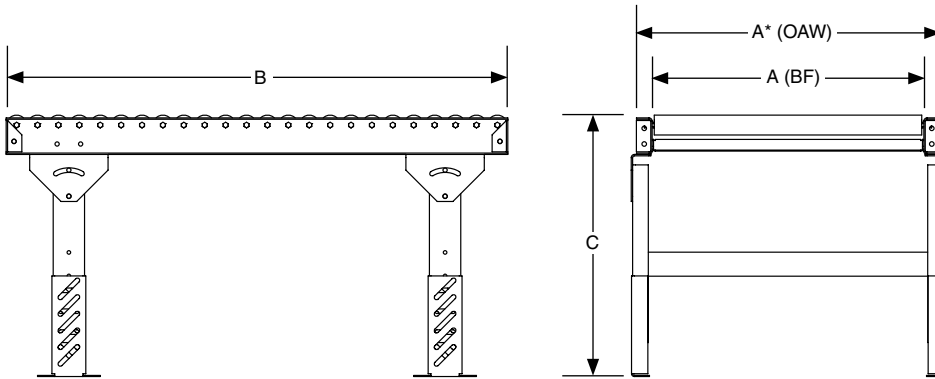
# GRC GRAVITY ROLLER CONVEYOR



## WHY GRC?

- Economical solution for manual product transport or gravity flow
- Versatility allows items from small to large and light to heavy to be handled
- Supports products with irregular surfaces including loosely bagged products
- Bolts to Omni standard leg supports or most mounting surfaces
- Common applications include moving or staging products and aiding in the transport of goods

## GRAVITY ROLLER CONVEYOR - STRAIGHT



	1.4**	1.9"	2 1/2"	2 9/16"
<b>A</b>	12" - 30"	6" - 51"	13" - 55"	
<b>B</b>	1' - 12'			
<b>C</b>	9" - 84"	17" - 86"		

A = Between Frame (BF) or Overall Width (OAW) (1" Increments)  
 B = Overall Length (OAL) (Any Increment)  
 C = Top of Roller (TOR)

\*1.4" gravity roller conveyor dimensions are based on OAW

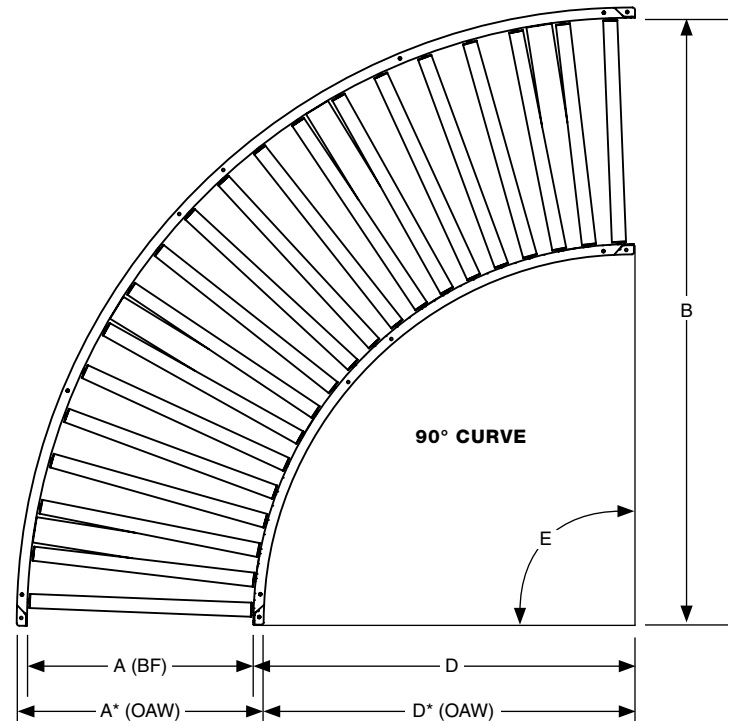
## GRAVITY ROLLER CONVEYOR - CURVE



	1.4**	1.9"	2 1/2"	2 9/16"
<b>A</b>	12" - 30"	6" - 51"	13" - 55"	
<b>B</b>	48", 60"	45 1/2" - 87"	61" - 99"	
<b>C</b>	9" - 84"	17" - 86"		
<b>D</b>	30", 33", 36", 39"	32 1/2", 48"		
<b>E</b>	30°, 45°, 60° and 90°			

A = Between Frame (BF) or Overall Width (OAW) (1" Increments)  
 B = Outside Radius (OR)  
 C = Top of Roller (TOR)  
 D = Inside Radius (IR)  
 E = Degree

\*1.4" gravity roller conveyor dimensions are based on OAW  
 Taper and straight rollers available for curves



# GRAVITY ROLLER CONVEYOR - STRAIGHT AND CURVE SPUR



	1.4**			1.9"	
	30°	45°	90°	45°	90°
<b>A</b>	12" - 30"			13" - 39"	
<b>B</b>	9" - 84"			17" - 86"	

A = Between Frame (BF) or Overall Width (OAW) (1" Increments)  
 B = Top of Roller (TOR)  
 C = Short Rail Length  
 D = Throat  
 E = Shelf Bracket Length

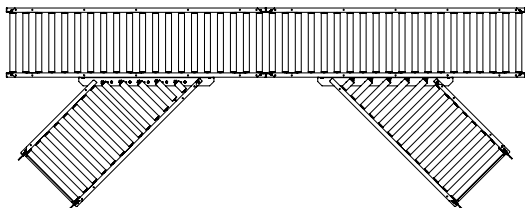
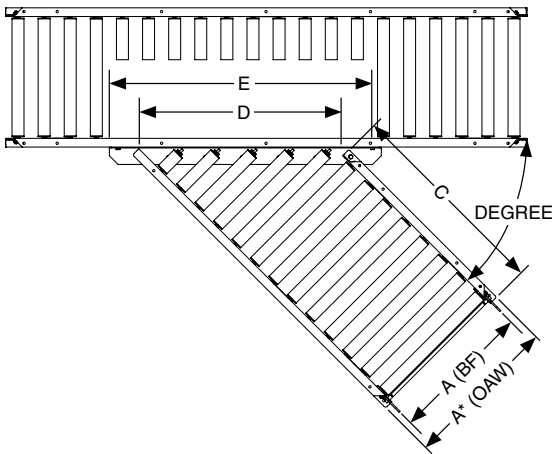
\*1.4" gravity roller conveyor dimensions are based on OAW

1.4" ROLLER						
30° STRAIGHT SPUR CONVEYOR				45° STRAIGHT SPUR CONVEYOR		
A (in.)	C (in.)	D (in.)	E (in.)	C (in.)	D (in.)	E (in.)
Overall Width	Short Rail Length	Throat	Shelf Bracket Length	Short Rail Length	Throat	Shelf Bracket Length
12	24	20.8	29.3	24	14.4	22.9
	36			36		
	60			60		
15	24	26.8	35.3	24	18.7	27.2
	36			36		
	60			60		
18	24	32.8	41.3	24	22.9	31.4
	36			36		
	60			60		
21	24	38.8	47.3	24	27.2	35.7
	36			36		
	60			60		
24	24	44.8	53.3	24	31.4	39.9
	36			36		
	60			60		
30	24	56.8	65.3	24	39.9	48.4
	36			36		
	60			60		

1.9" ROLLER			
45° STRAIGHT SPUR CONVEYOR			
A (in.)	C (in.)	D (in.)	E (in.)
Between Frame Width	Short Rail Length	Throat	Shelf Bracket Length
13	24	18.6	31.5
	36		
	60		
15	24	22.8	31.5
	36		
	60		
17	24	24.2	31.5
	36		
	60		
19	24	27.1	40
	36		
	60		
21	24	29.9	40
	36		
	60		
23	24	32.7	40
	36		
	60		
25	24	35.5	48.5
	36		
	60		
27	24	38.3	48.5
	36		
	60		
29	24	41.1	48.5
	36		
	60		
31	24	48.5	61.2
	36		
	60		
33	24	51	61.2
	36		
	60		
35	24	53.8	61.2
	36		
	60		
37	24	52.5	61.2
	36		
	60		
39	24	55.3	61.2
	36		
	60		

Spurs available with larger diameter rollers based on application

## STRAIGHT SPUR 30° and 45° only

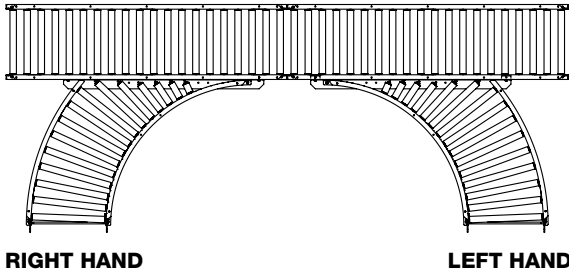
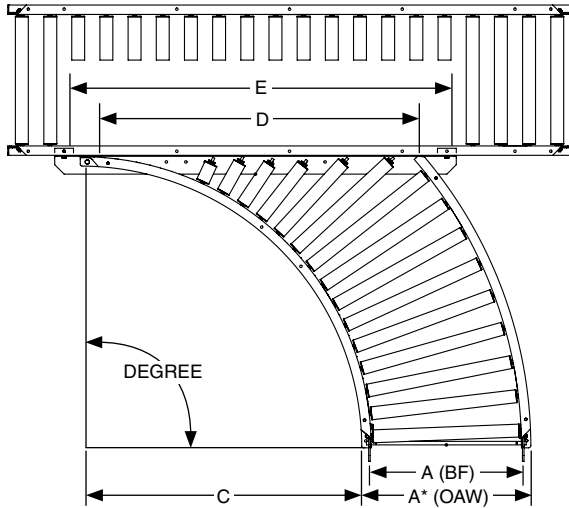


RIGHT HAND

LEFT HAND

# SPUR SPECIFICATIONS

## CURVE SPUR 90° only



	1.4"*			1.9"	
	30°	45°	90°	45°	90°
<b>A</b>	12" - 30"			13" - 39"	
<b>B</b>	9" - 84"			17" - 86"	

A = Between Frame (BF) or Overall Width (OAW) (1" Increments)  
 B = Top of Roller (TOR)  
 C = Inside Radius (IR)  
 D = Throat  
 E = Shelf Bracket Length

\*1.4" gravity roller conveyor dimensions are based on OAW  
 Taper and straight rollers available for curve spurs

1.4" ROLLER			
90° CURVE SPUR CONVEYOR			
A (in.)	C (in.)	D (in.)	E (in.)
Overall Width	Inside Radius (IR)	Throat	Shelf Bracket Length
12	37	29.6	36.8
15	34	32.9	40
18	31	35.6	42.7
21	40	43.7	51
24	37	46.2	53.4
30	31	50.3	57.5

1.9" ROLLER			
90° CURVE SPUR CONVEYOR			
A (in.)	C (in.)	D (in.)	E (in.)
Between Frame Width	Inside Radius (IR)	Throat	Shelf Bracket Length
13	32.5	31.8	42.5
15		34.5	42.5
17		37.1	42.5
19		39.7	48.6
21		41.9	48.6
23		44.6	54.7
25		46.9	54.7
27	48	49.5	54.7
29		59.4	69.8
31		61.9	69.8
33		64.4	69.8
35		66.9	77.1
37		69.3	77.1
39		71.7	77.1

Spurs available with larger diameter rollers based on application

# ROLLER AND FRAME SPECIFICATIONS

ROLLER DIAMETER (in.)	AXLE DETAIL		TUBE DETAIL		ROLLER SPACING Centers (in.)	MAXIMUM LOAD PER ROLLER (lbs.)
	Size (in.)	Type	Wall Thickness	Material		
1.4	1/4	Round	18 ga.	Galvanized	1.5, 3, 4, 4.5, 6, 8, 9,12	94
1.4	1/4	Round	18 ga.	Aluminum	1.5, 3, 4, 4.5, 6, 8, 9,12	94
1.9	7/16	Hex	16 ga.	Galvanized	2*, 3, 4, 4.5, 6, 8, 9,12	269
1.9	7/16	Hex	16 ga., 13 ga., 9 ga.	Mild Steel	2*, 3, 4, 4.5, 6, 8, 9,12	269
2.5	11/16	Hex	11 ga.	Mild Steel	3, 4, 6, 8, 9,12	645
2.6	11/16	Hex	7 ga.	Mild Steel	3, 4, 6, 8, 9,12	645
1.9 Taper (2 1/2 - 1 11/16)	7/16	Hex	14 ga.	Mild Steel or Zinc Plated	3	290
1.4 Taper (1 1/2 - 1)	5/16	Hex	18 ga.	Zinc Plated	1.5, 3	150

\*2 1/8 for between frame over 40"

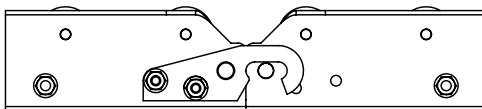
ROLLER DIAMETER	ROLLERS HIGH FRAME	ROLLERS LOW FRAME	FRAME HEIGHT	FRAME TO TOR
1.4"	2 1/2" x 1" x 12 ga. galvanized steel or 1/8" thick aluminum or powder coated steel	4" x 1" x 12 ga. galvanized steel or 1/8" thick aluminum or powder coated steel	2 1/2"	3/32"
			4"	-1 13/32"
1.9"	3 1/2" x 1 1/2" x 10 ga. galvanized or powder coated steel	4 1/2" x 1 1/2" x 10 ga. galvanized or powder coated steel	3 1/2"	1/4"
			4 1/2"	-3/4"
2 1/2", 2 9/16"	4" x 1 1/2" x 7 ga. powder coated steel		4"	1/4"
				-3/4"

## FRAME LOAD CAPACITY CHART

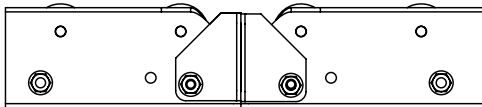
ROLLER DIAMETER	FRAME MATERIAL	SUPPORT CENTERS	FRAME CAPACITY*
			Maximum Uniformly Distributed Load
1.4"	Steel	5'	1300
		10'	350
	Aluminum	5'	710
		10'	160
1.9"	Steel	5'	3300
		10'	1200
2 1/2", 2 9/16"	Steel	5'	5200
		10'	2100

\*Capacity listed could be lower due to roller capacity and BF

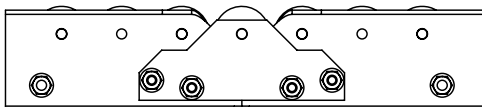
## END COUPLER AND ROLLER STYLES



**HOOK AND ROD**  
For portable quick disconnect



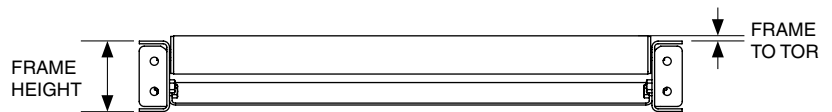
**END CAP**  
For permanent installation applications



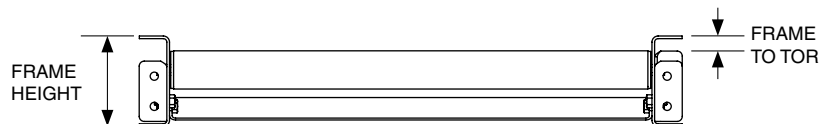
**BRIDGE PLATE**  
For permanent installation application. Required to hold roller spacing across the splice.

**FINISHES** - Galvanized steel standard. Powder coat available.

**Expanded product parameters available. For more information see Tech Handbook.**



**ROLLERS HIGH**



**ROLLERS LOW**

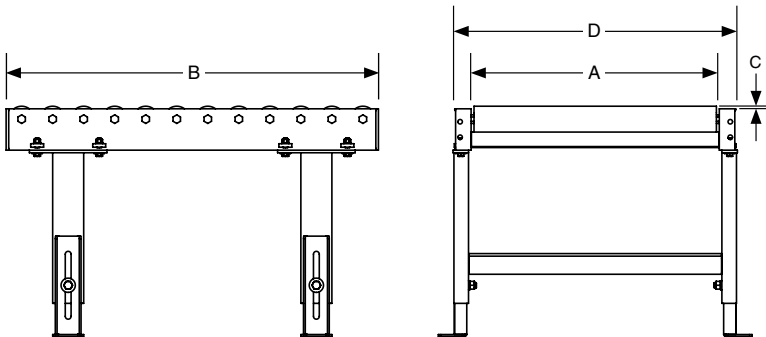
# GRCW GRAVITY ROLLER CONVEYOR-WELDED CONSTRUCTION



## WHY GRCW?

- Roller size and centers optimized to handle nearly any load
- Robust, welded construction using structural steel with nearly unlimited between frame dimensions, length options and roller diameters
- Roller coatings, heat-treat, frame cut outs and modifications, fork loading protection and other specialized provisions are our "standard"
- Mounts to Omni standard leg supports or most surfaces
- Common applications include floor mounted pallet transport, rack-mounted product storing and staging, workstations and assembly lines

## WELDED GRAVITY ROLLER - STRAIGHT

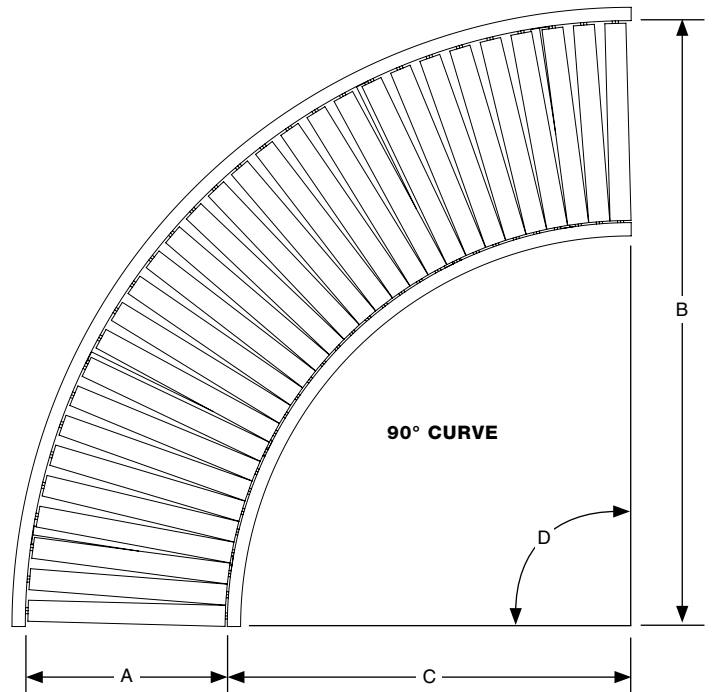


	1"	1.4"	1.9"	2 1/2"	2 9/16"	3 1/2"	4"
<b>A</b>	6" - 39"	6" - 48"	6" - 78"	6" - 108"	6" - 102"	6" - 156"	6" - 168"
<b>B</b>	6" - 144"	6" - 144"	6" - 240"	6" - 240"	6" - 240"	7" - 240"	8" - 240"
<b>C</b>	1/32"	3/16"	5/16"	5/8"	9/16"	1/2"	3/4"
<b>D</b>	8" - 41"	8" - 50"	9" - 81"	9" - 111"	9" - 111"	10" - 160"	10" - 172"

A = Between Frame (BF) (Any Increment)\*  
 B = Overall Length (OAL) (Any Increment)  
 C = Frame to Top of Roller (TOR)  
 D = Overall Width (OAW)

\*Custom widths available

## WELDED GRAVITY ROLLER - CURVE



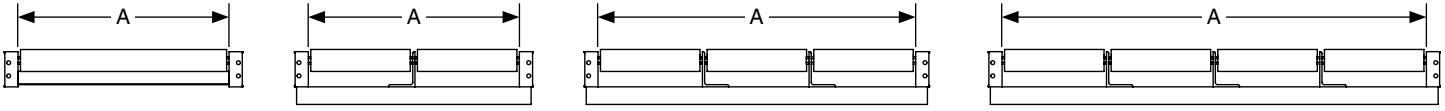
	1"	1.4"	1.9"	2 1/2"	2 9/16"	3 1/2"	4"
<b>A</b>	6" - 39"	6" - 48"	6" - 78"	6" - 108"	6" - 102"	6" - 156"	6" - 168"
<b>B</b>	18"	18"	24"	24"	24"	42"	42"
<b>C</b>	12" - 174"	12" - 174"	18" - 294"	18" - 294"	18" - 294"	36" - 294"	36" - 294"
<b>D</b>	10° - 180°	10° - 180°	10° - 180°	20° - 180°	20° - 180°	30° - 180°	30° - 180°

A = Between Frame (BF) (Any Increment)\*  
 B = Outside Radius (OR) (Minimum)  
 C = Inside Radius (IR)  
 D = Degree

Taper and straight rollers available for curves  
 \*Custom widths available



## MULTI-LANE OPTIONS



A (in.)							
Between Frame Width							
Lane	1"	1.4"	1.9"	2 1/2"	2 9/16"	3 1/2"	4"
Single	6 - 39	6 - 39	6 - 51	6 - 96	6 - 96	6 - 156	6 - 168
Double	15 - 78	15 - 78	15 - 96	15 Minimum*			
Triple	18 Minimum*						
Quadruple	27 Minimum*						

\*See sales for maximum

Some configurations will require special short lengths in order to ship via common carrier

Some configurations will require special intermediate frame construction

Some configurations can share a common axle across multiple lanes

## STYLE CHART

STYLE	CHANNEL	ANGLE TOED OUT	ANGLE TOED IN
SINGLE LANE HIGH			
SINGLE LANE LOW			
MULTI-LANE HIGH			
MULTI-LANE LOW			

# STANDARD CONFIGURATIONS

## 1" AND 1.4" ROLLERS

Product	Roller					Frame Size and Capacity Per Foot								
	Roller Dia. (in.)	Axle Size (in.)	Between Frame Range (in.)	Capacity Per Roller (lbs.)	Minimum Roller Centers (in.)	Formed Channel		Formed Angle			Structural Angle			
						Size Options (in.)	Capacity Per Foot (lbs.)	Size Options (in.)	Capacity Per Foot (lbs.)		Size Options (in.)	Capacity Per Foot (lbs.)		
Supports on 10' Centers	Supports on 5' Centers	Supports on 10' Centers	Supports on 5' Centers	Supports on 5' Centers	Supports on 10' Centers									
Up to 300	1	1/4 Ø	6 - 21	59	1.125	2.5 x 1 x 12 Ga.	35	2 x 2 x 10 Ga.	32	16	2 x 2 x 1/4	60	30	
			22 - 30	37		4 x 1 x 12 Ga.	112							
			31 - 39	15		1.25	2.5 x 1 x 12 Ga.							35
			5/16 Ø	6 - 21	59	1.125	4 x 1 x 12 Ga.							112
				22 - 30	58		2.5 x 1 x 12 Ga.							35
				31 - 39	31		1.25							4 x 1 x 12 Ga.
		5/16 Hex	6 - 21	59	1.125	2.5 x 1 x 12 Ga.	35							
			22 - 30	58		4 x 1 x 12 Ga.	112							
			31 - 39	34		1.25	2.5 x 1 x 12 Ga.							35
			1/4 Ø	6 - 9	114	1.5	4 x 1 x 12 Ga.							112
				10 - 20	44		2.5 x 1 x 12 Ga.							35
				21 - 39	14		1.625							4 x 1 x 12 Ga.
		5/16 Hex	6 - 9	119	1.5	2.5 x 1 x 12 Ga.	35							
			10 - 20	119		4 x 1 x 12 Ga.	112							
			21 - 39	53		1.625	2.5 x 1 x 12 Ga.							35
3/8 Ø	6 - 9		148	1.50	4 x 1 x 12 Ga.	112								
	10 - 20		146		3.5 x 1.5 x 10 Ga.	122								
	21 - 48		62		4 x 1 x 12 Ga.	112								
		3.5 x 1.5 x 10 Ga.			122									

Expanded product parameters available



# STANDARD CONFIGURATIONS

3 1/2" AND 4" ROLLERS										
Product	Roller					Frame Size and Capacity Per Foot				
Max Product Weight (lbs.)	Roller Dia. (in.)	Axle Size (in.)	Between Frame Range (in.)	Capacity Per Roller (lbs.)	Minimum Roller Centers (in.)	Structural Channel		Structural Angle		
						Size Options (in.)	Capacity Per Foot (lbs.)	Size Options (in.)	Capacity Per Foot (lbs.)	
							Supports on 10' Centers		Supports on 5' Centers	Supports on 10' Centers
Up to 6000	3 1/2	1-1/16 Hex	6 - 42	1184	3 3/4	7 x 9.8	824	6 x 4 x 1/2	1680	840
			43 - 78	1165		8 x 11.5	1122			
			79 - 144	104		7 x 9.8	824			
						8 x 11.5	1122			
						7 x 9.8	824			
			1-3/16 Ø	6 - 42		2465	7 x 9.8			
		43 - 78		2263		8 x 11.5	1122			
						7 x 9.8	824			
						8 x 11.5	1122			
		79 - 144		199		7 x 9.8	824			
						8 x 11.5	1122			
			7 x 9.8			824				
Up to 10000	3 1/2	1-7/16 Ø	6 - 42	5813	3 3/4	7 x 9.8	824	6 x 4 x 1/2	1680	840
			43 - 78	3043		8 x 11.5	1122			
			79 - 156	172		7 x 9.8	824			
						8 x 11.5	1122			
						7 x 9.8	824			
			8 x 11.5	1122						
Up to 10000	4	1 1/8 Hex	6 - 48	5081	4 1/2	10 x 15.3	970	N/A		
			49 - 84	2448		12 x 20.7	1650			
			85 - 144	260		10 x 15.3	970			
						12 x 20.7	1650			
						10 x 15.3	970			
			1 3/16 Ø	6 - 48		4482	12 x 20.7			
		49 - 84		2153		10 x 15.3	970			
						12 x 20.7	1650			
						10 x 15.3	970			
		85 - 144		223		12 x 20.7	1650			
						10 x 15.3	970			
			12 x 20.7			1650				
Up to 15000	4	1 7/16 Ø	6 - 48	5927	4 1/2	10 x 15.3	970			
			49 - 84	3303		12 x 20.7	1650			
						10 x 15.3	970			
						12 x 20.7	1650			
			85 - 168	260		10 x 15.3	970			
						12 x 20.7	1650			
12 x 20.7	1650									

Expanded product parameters available  
 Capacities not recommended for a sloped application

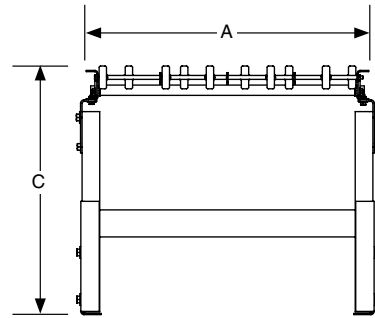
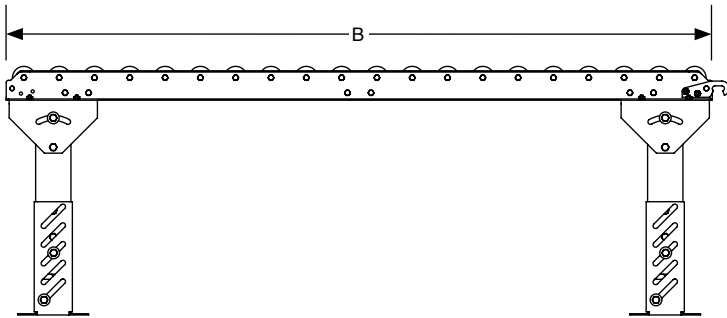
# GSC GRAVITY SKATEWHEEL CONVEYOR



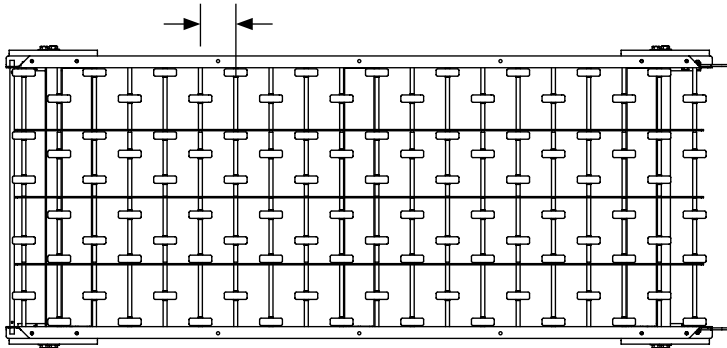
## WHY GSC?

- Economical, lightweight, non-powered conveyor suitable for conveying light products
- Ideal for portable applications
- Close axle centers and tight wheel patterns allows small products to be handled
- Multiple wheel pattern choices for your product
- Built to your length or easily field cut to length
- Bolts to Omni standard leg supports or most mounting surfaces
- Common applications include truck loading and unloading, rack-mounted product storing and staging, workstations and assembly lines

## GRAVITY SKATEWHEEL CONVEYOR - STRAIGHT



AXLE SPACING

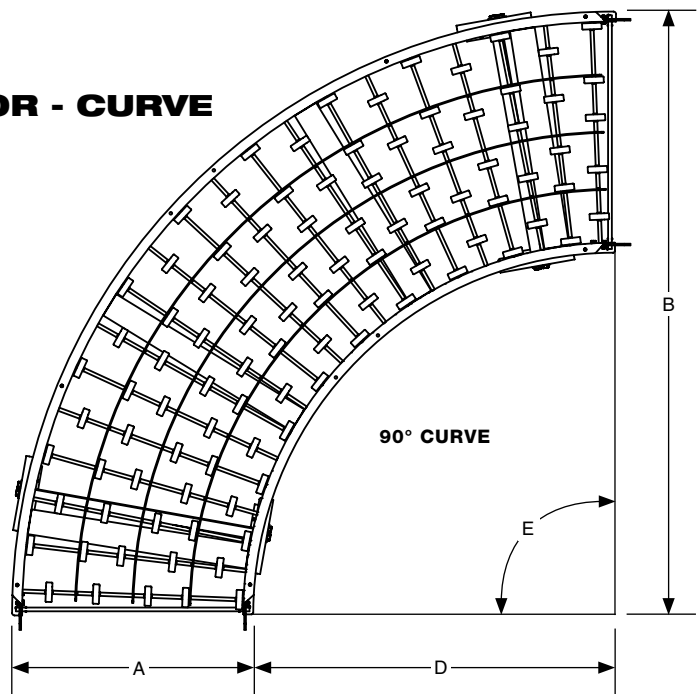


<b>A</b>	12" - 30"
<b>B</b>	1' - 12'
<b>C</b>	9" - 85"

A = Overall Width (OAW) (1" Increments)\*  
 B = Overall Length (OAL) (Any Increment)  
 C = Top of Wheel (TOW)

\*Custom widths available

## GRAVITY SKATEWHEEL CONVEYOR - CURVE



<b>A</b>	12" - 30"
<b>B</b>	48" - 60"
<b>C</b>	9" - 85"
<b>D</b>	30" - 39"
<b>E</b>	30°, 45°, 60° and 90°

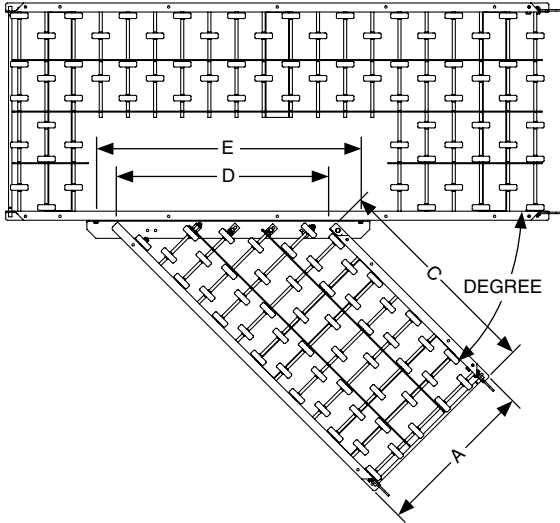
A = Overall Width (OAW) (1" Increments)\*  
 B = Outside Radius (OR)  
 C = Top of Wheel (TOW)  
 D = Inside Radius (IR)  
 E = Degree

\*Custom widths available

# GRAVITY SKATEWHEEL CONVEYOR - STRAIGHT AND CURVE SPUR



**STRAIGHT SPUR**  
30° and 45° only

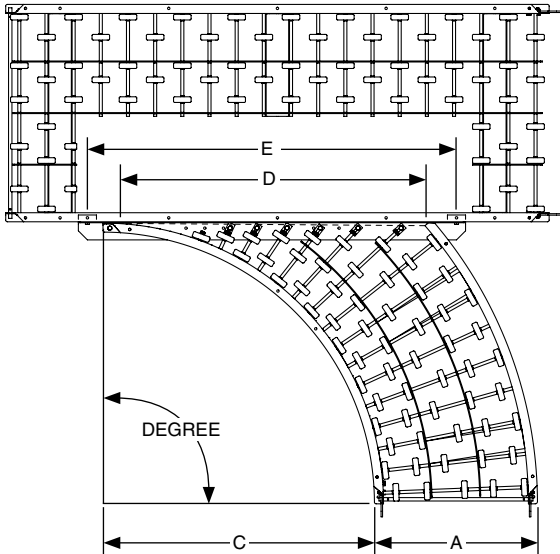


	30°	45°	90°
<b>A</b>	12", 15", 18", 21", 24", 30"		
<b>B</b>	9" - 85"		

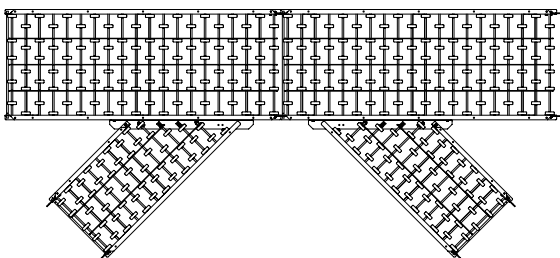
A = Overall Width (OAW)  
 B = Top of Wheel (TOW)  
 C = Short Rail Length / Inside Radius (IR)  
 D = Throat  
 E = Shelf Bracket Length

30° STRAIGHT SPUR CONVEYOR				45° STRAIGHT SPUR CONVEYOR		
A (in.)	C (in.)	D (in.)	E (in.)	C (in.)	D (in.)	E (in.)
Overall Width	Short Rail/Inside Radius (IR)	Throat	Shelf Bracket Length	Short Rail/Inside Radius (IR)	Throat	Shelf Bracket Length
12	24	20.8	29.3	24	14.4	22.9
	36					
	60					
15	24	26.8	35.3	24	18.7	27.2
	36					
	60					
18	24	32.8	41.3	24	22.9	31.4
	36					
	60					
21	24	38.8	47.3	24	27.2	35.7
	36					
	60					
24	24	44.8	53.3	24	31.4	39.9
	36					
	60					
30	24	56.8	65.3	24	39.9	48.4
	36					
	60					

**CURVE SPUR**  
90° only

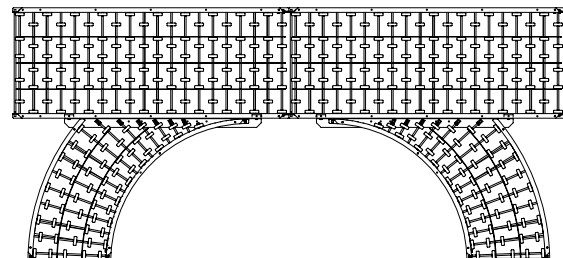


90° CURVE SPUR CONVEYOR			
A (in.)	C (in.)	D (in.)	E (in.)
Overall Width	Short Rail/Inside Radius (IR)	Throat	Shelf Bracket Length
12	37	29.6	36.8
15	34	32.9	40
18	31	35.6	42.8
21	40	43.7	51
24	37	46.2	53.4
30	31	50.3	57.5



RIGHT HAND

LEFT HAND



RIGHT HAND

LEFT HAND

# CONVEYOR SPECIFICATIONS

WHEEL HEIGHT	AXLE SPACING	WHEELS PER FOOT MINIMUM	WHEELS PER FOOT MAXIMUM	FRAME	FRAME HEIGHT "E"	FRAME TO TOW "F"
Wheels High	1 1/2"	12	72	2 1/2" x 1" x 12 ga., galvanized steel or powder coated steel	2 1/2"	3/8"
	3"	6	36			
	4"	4	27			
Wheels Low	1 1/2"	12	72	4" x 1" x 12 ga., galvanized steel or powder coated steel	4"	-1 1/8"
	3"	6	36			
	4"	4	27			
Wheels High	1 1/2"	12	72	2 1/2" x 1" x 1/8" aluminum	2 1/2"	3/8"
	3"	6	36			
	4"	4	27			
Wheels Low	1 1/2"	12	72	4" x 1" x 1/8" aluminum	4"	-1 1/8"
	3"	6	36			
	4"	4	27			

\*Only available on straight skatewheel conveyor. Curve spacing is nominal.

## WHEELS PER FOOT

1 1/2" AXLE SPACING					
12" Overall Width	15" Overall Width	18" Overall Width	21" Overall Width	24" Overall Width	30" Overall Width
12	12	24	24	32	32
16	16	28	28	36	40
20	20	32	32	40	48
24	24	36	40	48	56
32	32	40	48	56	72

3" AXLE SPACING					
12" Overall Width	15" Overall Width	18" Overall Width	21" Overall Width	24" Overall Width	30" Overall Width
6	6	12	12	16	16
8	8	14	14	18	20
10	10	16	16	20	24
12	12	18	20	24	28
16	16	20	24	28	36

4" AXLE SPACING					
12" Overall Width	15" Overall Width	18" Overall Width	21" Overall Width	24" Overall Width	30" Overall Width
4	4	9	9	12	12
6	6	11	11	14	15
8	8	12	12	15	18
9	9	14	15	18	21
12	12	15	18	21	27

## WHEEL OPTIONS

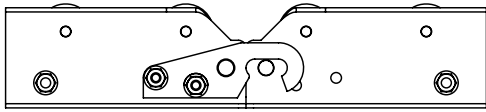
TYPE	DIAMETER	MATERIAL	BEARING	CAPACITY
Steel	1 15/16"	Zinc plated steel	Oiled steel ball bearings	50
Aluminum	1 15/16"	Aluminum	Oiled steel ball bearings	50
White	1 15/16"	Nylon	Oiled steel ball bearings	40
Black	1 15/16"	Nylon	Oiled steel ball bearings	40
Steel wheel with orange urethane cover	2 3/16"	Zinc plated steel with orange urethane cover	Oiled steel ball bearings	50

\*1/8" thick urethane cover on 1 15/16" diameter wheel

## LOAD CAPACITY CHART

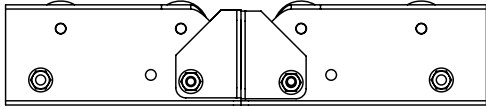
FRAME MATERIAL	SUPPORT CENTERS	FRAME CAPACITY
		Maximum Uniformly Distributed Load (lbs.)
Steel	5'	1300
Steel	10'	350
Aluminum	5'	710
Aluminum	10'	160

# END COUPLER STYLES



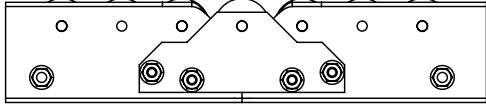
**HOOK AND ROD**

For portable quick disconnect



**END CAP**

For permanent installation applications

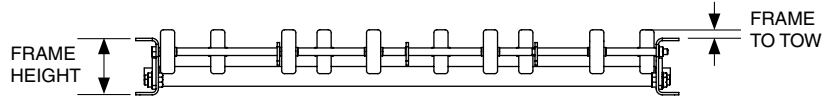


**BRIDGE PLATE**

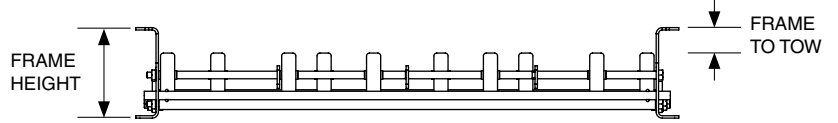
For permanent installation application. Required to hold roller spacing across the splice.

**FINISHES** - Galvanized steel standard. Powder coat available.

**Expanded product parameters available. For more information see Tech Handbook.**



**WHEELS HIGH**

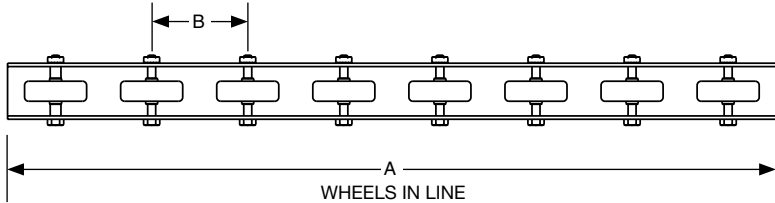


**WHEELS LOW**



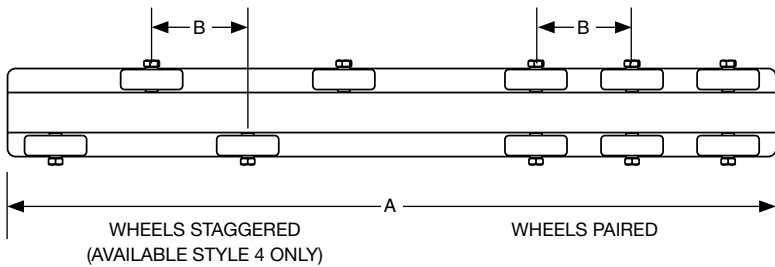
## WHY FR?

- Five different channel and wheel mounting styles
- Built to your length or easily field cut to length
- Bolts to Omni standard leg supports or most mounting surfaces
- Common applications include use as guiderail on other conveyor, storage racking or floor mounted conveyor



<b>A</b>	1' - 12'
<b>B</b>	3"

A = Overall Length (OAL) (Any Increment)  
B = Wheel Spacing



## WHEEL OPTIONS

TYPE	DIAMETER	MATERIAL	BEARING	CAPACITY
Steel	1 15/16"	Zinc plated steel	Oiled steel ball bearings	50
Aluminum	1 15/16"	Aluminum	Oiled steel ball bearings	50
White	1 15/16"	Plastic	Oiled steel ball bearings	40
Black	1 15/16"	Plastic	Oiled steel ball bearings	40
Steel wheel with orange urethane cover	2 3/16"	Zinc plated steel with orange urethane cover	Oiled steel ball bearings	50

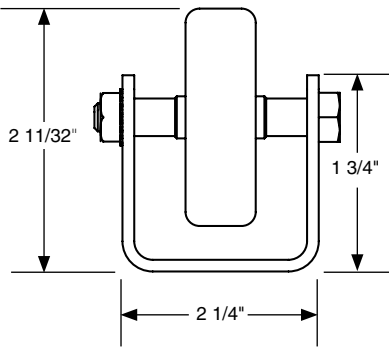
\*1/8" thick urethane cover on 1 15/16" diameter wheel

## LOAD CAPACITY CHART

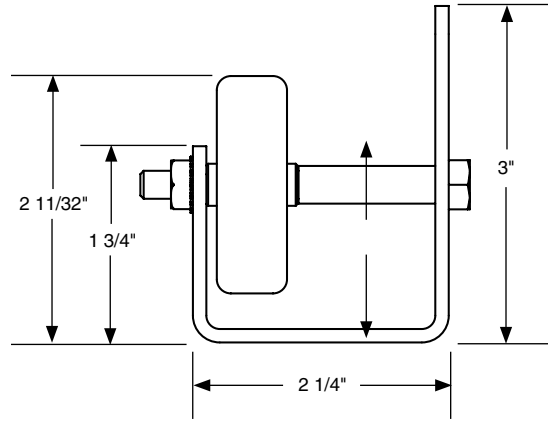
SUPPORT CENTERS	MAXIMUM LOAD PER FOOT				
	Style 1	Style 2	Style 3	Style 4	Style 5
3'	179	200*	200*	400*	200*
4'	100	168	200*	278	200*
5'	62	107	200*	142	144
6'	36	74	166	82	83
7'	22	54	104	51	52
8'	15	42	70	34	35
10'	7	23	35	17	18

\*Wheel capacity is limiting factor

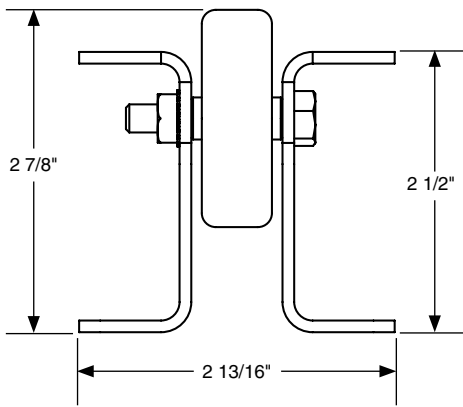
# WHEEL STYLES



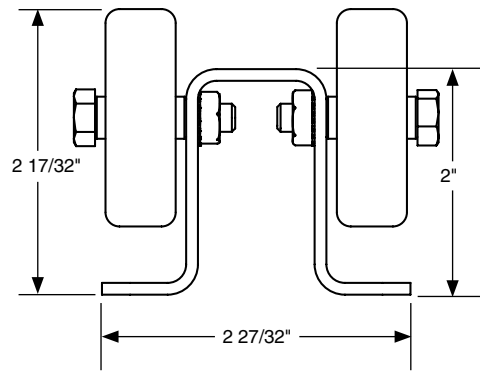
**STYLE 1**  
U-Channel



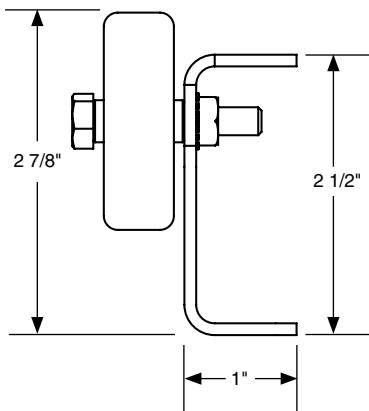
**STYLE 2**  
J-Channel



**STYLE 3**  
Opposing Channels



**STYLE 4**  
Top Hat



**STYLE 5**  
Single Channel

STYLE	FRAME DESCRIPTION	WHEEL ORIENTATION
1	U-Channel, 12 ga. galvanized steel	In line
2	J-Channel, 12 ga. galvanized steel	In line
3	Opposing Channels, 12 ga. galvanized steel	In line
4	Top Hat, 14 ga. galvanized steel	Paired or Staggered
5	Single Channel, 12 ga. galvanized steel	In line

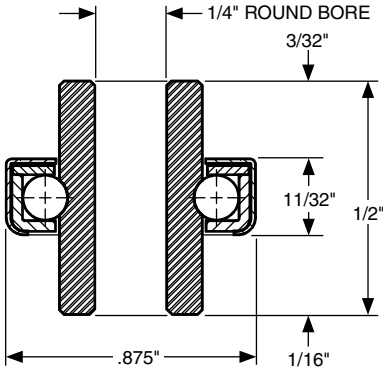
**FINISHES** - Galvanized steel standard. Powder coat available.

**Expanded product parameters available**

# WHEELS

## BODY DIAMETER = .875"

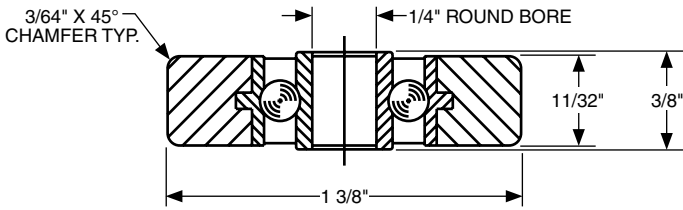
- Non-precision wheel
- 45 lbs. per bearing load rating
- Eight 5/32" dia. hardened steel balls
- Pressed steel outer shell



Part No. 102149

## BODY DIAMETER = 1.375"

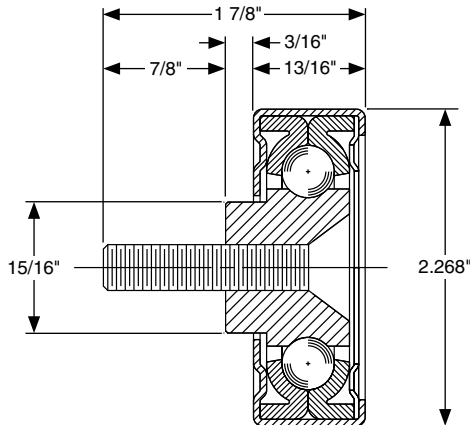
- Precision ground bearing
- 75 lbs. per bearing load rating
- Six 5/32" dia. hardened steel balls
- Molded nylon outer shell



Part No. 113062

## BODY DIAMETER = 2.268"

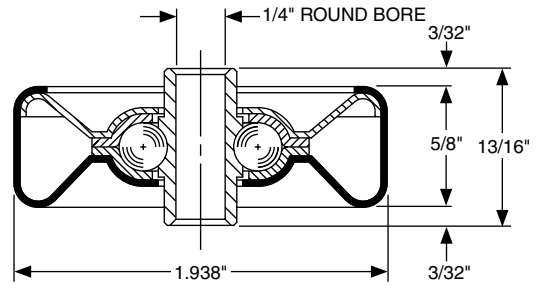
- Non-precision wheel
- 3/8-16 threaded stud
- 290 lbs. per bearing load rating
- Eleven 3/8" dia. hardened steel balls
- Pressed steel outer shell



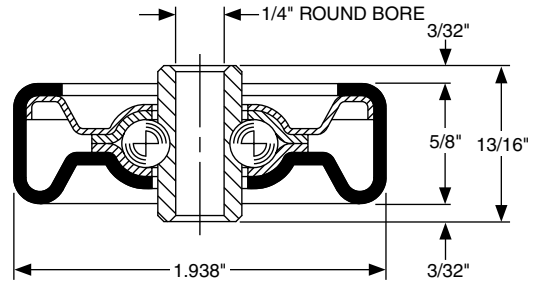
Part No. 102150

## BODY DIAMETER = 1.938"

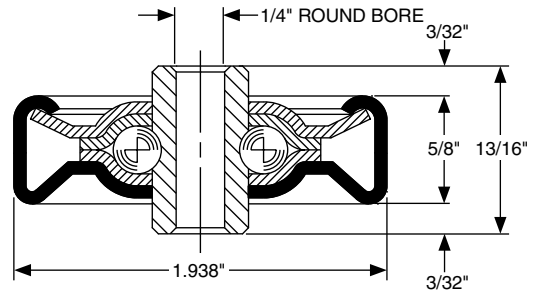
- Non-precision wheel
- Seven 1/4" dia. hardened steel balls
- Pressed steel outer shell
- Rubber and neoprene boots available
- Skatewheels available with black or white plastic



Part No. 102143  
Galvanized Wheel  
50 lbs. Per Wheel Load Capacity



Part No. 102144  
Aluminum Wheel  
55 lbs. Per Wheel Load Capacity



Part No. 102226  
Galvanized Wheel  
150 lbs. Per Wheel Load Capacity

# BTT BALL TRANSFER TABLE

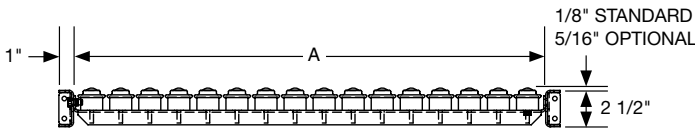
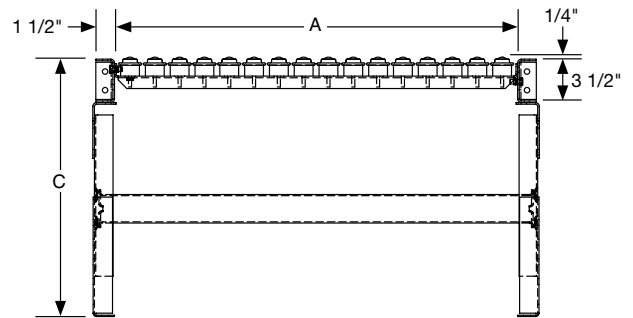
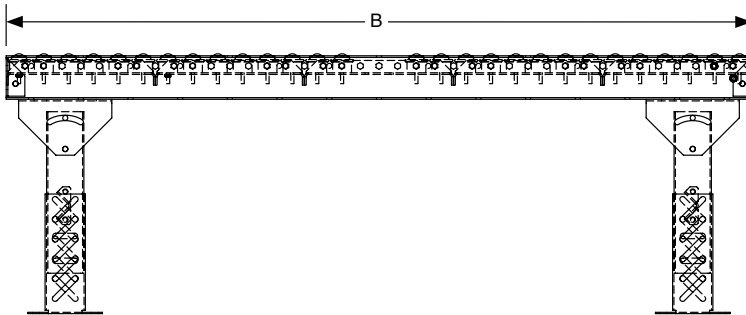


## WHY BTT?

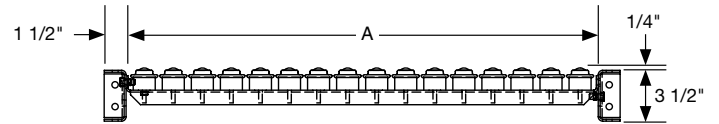
- Economical solution where products must be manually transferred
- Utilized when products need to be manually rotated or positioned
- Multiple ball spacing choices, lengths and widths available
- Secure stud-style mounting
- Bolts to Omni standard leg supports or most mounting surfaces
- Common applications include workstations, assembly lines, manual product staging and feeding

<b>A</b>	10" - 48"
<b>B</b>	1' - 12'
<b>C</b>	10" - 86"

A = Between Frame (BF) (1" increments)  
 B = Overall Length (OAL) (Any increment)  
 C = Top of Ball



CROSS SECTION FOR 2 1/2" X 1" X 12 GA. FRAME



CROSS SECTION FOR 3 1/2" X 1 1/2" X 10 GA. FRAME

## LOAD CAPACITY CHART

FRAME SIZE	SUPPORT CENTER	FRAME CAPACITY	BALL CAPACITY
		Maximum Uniformly Distributed Load Per Foot (lbs.)	Maximum Load Per Ball
2 1/2" x 1" x 12 Ga.	5'	260	65
	10'	35	
3 1/2" x 1 1/2" x 10 Ga.	5'	660	
	10'	120	

Maximum product weight should not exceed 195 lbs. as product may only rest on 3 ball transfers at one time

# STANDARD SPECIFICATIONS

**BALL UNITS** - 1" dia. standard ball, zinc plated, 1/4-20 stud, 65 lbs. per ball unit load rating

**FRAME** - 3 1/2" high x 1 1/2" flange x 10 ga. or 2 1/2" high x 1" flange x 12 ga. galvanized steel formed channel

**PANS** - 10 ga. galvanized steel formed

**BETWEEN FRAME WIDTH** - 10" to 48" in 1" increments

Expanded product parameters available

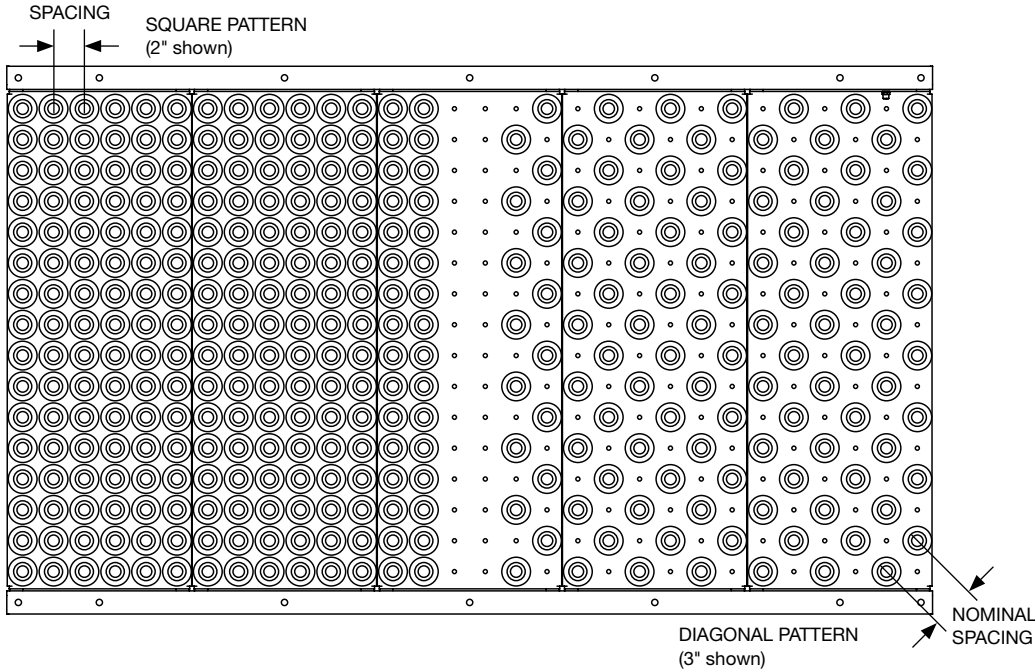
**OVERALL LENGTH** - 1' to 12' in any increment

**BALL SPACING** - Square spacing of 2", 3", 4" and 6". Nominal diagonal spacing of 3" and 6".

**SUPPORTS** - Adjustable H-style, bolted, 10" to 86" from floor to top of ball. One support at every bed joint and at ends of conveyor. Supports are shipped loose.

**FINISHES** - Galvanized steel standard. Powder coat available.

## BALL PATTERNS AND SPACING



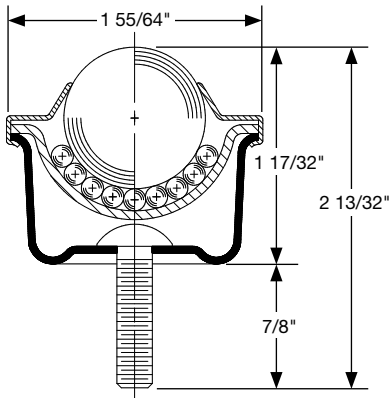
Ball Spacing	
Square	2", 3", 4", 6"
*Diagonal	3", 6"

\*Values are nominal. 2.8" and 5.7" actual.

### BALL TRANSFER UNITS

#### 1" DIA. BALL TRANSFER

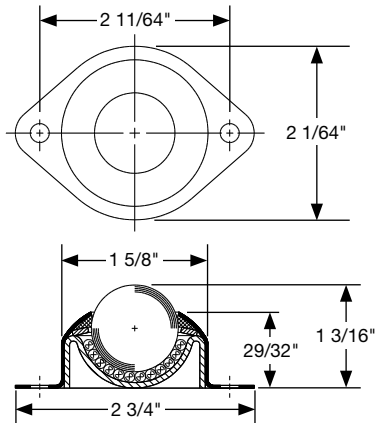
- 1/4 - 20 stud
- 65 lbs. per ball transfer load rating
- Pressed steel outer shell
- 250° F maximum temperature
- Available with nylon ball



Part No. 102106

#### 1" DIA. BALL TRANSFER

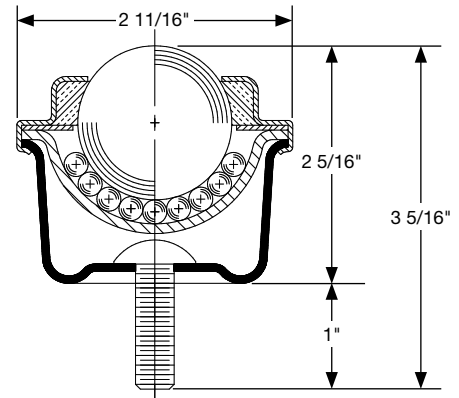
- Two hole - flange mounted
- 75 lbs. per ball transfer load rating
- Pressed steel outer shell
- Sealed protective cover
- 250° F maximum temperature
- Available with nylon ball



Part No. 102231

#### 1 1/2" DIA. BALL TRANSFER

- 3/8 - 16 stud
- 250 lbs. per ball transfer load rating
- Carbon steel outer shell
- Sealed protective cover
- 250° F maximum temperature



Part No. 111681

# STANDARD SUPPORTS

**H STYLE LEG SUPPORT (BOLT-TOGETHER CONSTRUCTION)** - For skatewheel, 1 3/8", 1.9", 2 1/2" or 2 9/16" roller conveyors

LIGHT DUTY (LHST) AND MEDIUM DUTY (MHST)



3" x 12 ga. formed channel galvanized bolt-together leg supports

HEAVY DUTY (HHST)



3 1/2" x 7 ga. formed channel mild steel, powder coated bolt-together leg supports

H-STYLE LEG ADJUSTMENTS	
Skatewheel, 1 3/8" and 1.9" Roller Conveyor Top of Leg	2 1/2" and 2 9/16" Roller Conveyor Top of Leg
6" - 8"	N/A
8" - 10"	N/A
10" - 12 1/4"	N/A
12 1/4" - 16 1/4"	
14 1/4" - 20 1/4"	
18 1/4" - 24 1/4"	
22 1/4" - 28 1/4"	
26 1/4" - 32 1/4"	
30 1/4" - 42 1/4"	
38 1/4" - 50 1/4"	
46 1/4" - 58 1/4"	
54 1/4" - 66 1/4"	
62 1/4" - 74 1/4"	
70 1/4" - 82 1/4"	

**H STYLE LEG SUPPORT (WELDED CONSTRUCTION)** - For welded roller conveyor

PIVOT TOP



RIGID TOP



3" or 4" pivot or rigid top and 5" or 6" rigid top only, structural channel supports

Supports are shipped loose

## OPTIONAL EQUIPMENT AND DEVICES

**SIDE GUIDES** - Available in fixed or adjustable with multiple contact surfaces. Allows product to be guided and kept in place within the conveying surface. Side guides are bolted to the conveyor frame.

**Fixed Angle Side Guides** - Standard 2" high or 6" high, 12 ga. formed angle

**Fixed Channel Side Guides** - Standard 2 1/2" high or 3 1/2" high, 12 ga. formed channel

**Adjustable Channel Side Guides** - Standard 1 5/8" high x 1" high, 12 ga. formed channel, width and height adjustable

**Adjustable Angle Side Guides** - Angle guides typically formed angle, width adjustable

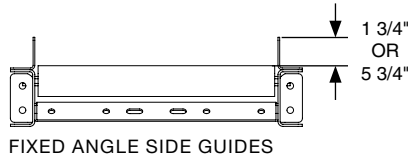
**UHMW Lined Fixed Angle Side Guides** - Replaceable UHMW face provides wear protection for angle guides

**Adjustable Rail UHMW Side Guides** - Replaceable UHMW face provides wear protection on rails, width and height adjustable

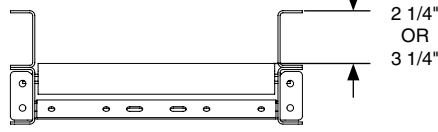
**Skatewheel Side Guides** - Vertically mounted skatewheels

**Bead Rail Side Guides** - Vertically mounted, tightly spaced small wheels supported by axles and a metal channel

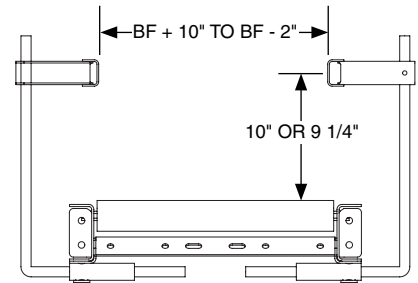
**Roller Side Guides** - Vertically mounted rollers



FIXED ANGLE SIDE GUIDES



FIXED CHANNEL SIDE GUIDES



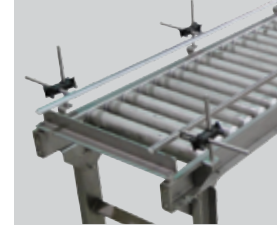
ADJUSTABLE CHANNEL SIDE GUIDES



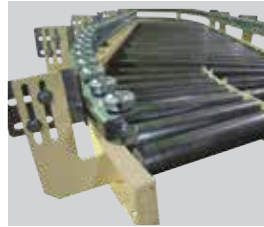
ADJUSTABLE ANGLE SIDE GUIDES



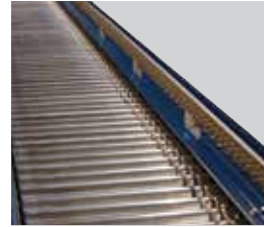
UHMW LINED FIXED ANGLE SIDE GUIDES



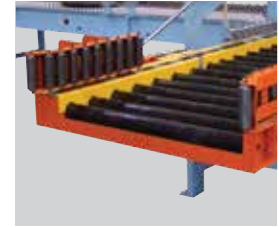
ADJUSTABLE RAIL UHMW SIDE GUIDES



SKATEWHEEL SIDE GUIDES



BEAD RAIL SIDE GUIDES



ROLLER SIDE GUIDES

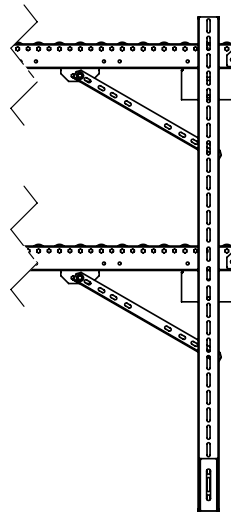
### SIDE GUIDES

**SUPPORTS** - Available in single or multi-tier and with caster options for portability. Supports are designed to be bolted to the conveyor frame. Supports are shipped loose.

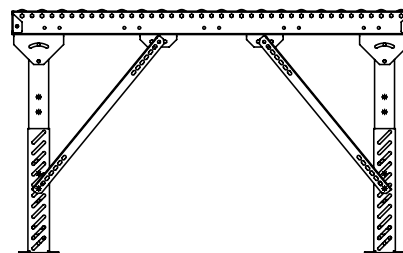
**Multi-Tier Supports** - 3" x 1 1/2" x 12 ga. formed channel leg uprights (1500 lbs. capacity)

**Knee Brace Supports** - Formed angle brace adds stability to conveyor and leg supports

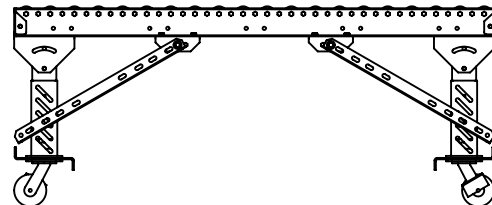
**Portable H-Stands** - 3" x 1 1/2" x 12 ga. formed channel leg uprights (800 lbs. capacity)



MULTI-TIER SUPPORTS



KNEE BRACE SUPPORTS



PORTABLE H-STANDS

### SUPPORTS

# OPTIONAL EQUIPMENT AND DEVICES



WELDED STRUCTURAL STEEL WITH JACKBOLTS



TRIPOD LEG SUPPORTS  
**SUPPORTS**

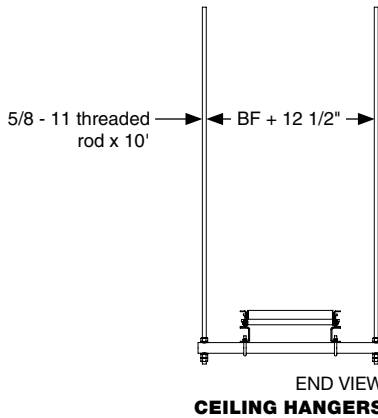
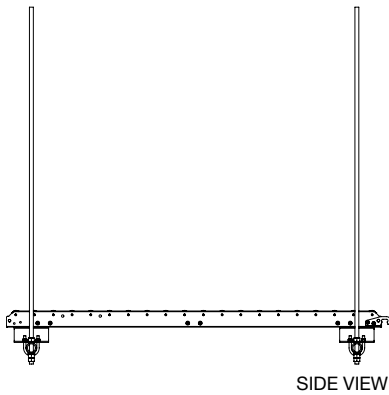
## SUPPORTS (CONTINUED)

**Tripod Leg Supports** - For skatewheel or 1 3/8" dia. roller conveyor (350 lbs. capacity)

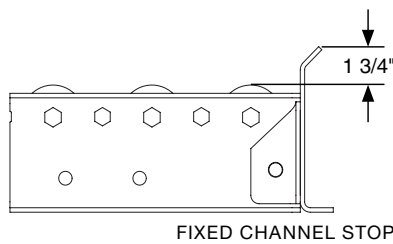
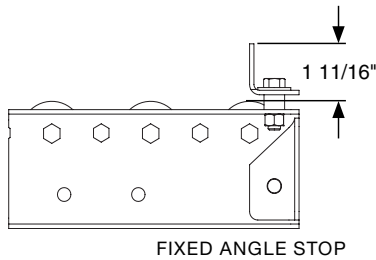
### TRIPOD LEG ADJUSTMENTS

Top of Leg
11" - 17"
17" - 29"
23" - 39"
29" - 51"
39" - 71"

**Welded Structural Steel with Jackbolts** - 4", 5" or 6" structural channel, welded construction with structural angle spreaders. Rigid top, optional pivot top. +/-1" or +/-2" adjustment.



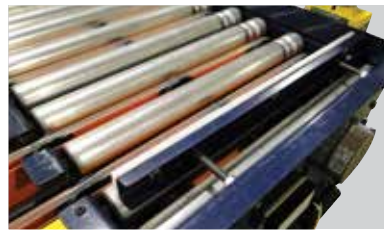
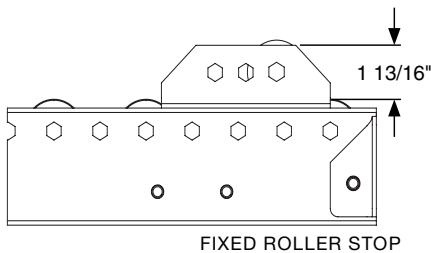
**CEILING HANGERS** - Allows conveyor to be suspended from the ceiling. Threaded rod is attached to support steel under the conveyor frame. Ceiling attachments to threaded rod by others.



**END STOPS** - Allows product to stop at the end of a conveyor line. Fixed and adjustable end stops are available.

**Fixed Angle Stop** - Formed angle end stop bolted to top flange of conveyor frame

**Fixed Channel Stop** - Formed channel end stop bolted to conveyor end coupling



**Fixed Roller Stop** - 1.9" dia. rollers mounted in formed angle brackets, bolted to the top flange of conveyor frame

**Adjustable End Stop** - Formed steel adjustable end stop bolted to conveyor frame with manually adjusted stop position. Height is not adjustable.

## END STOPS



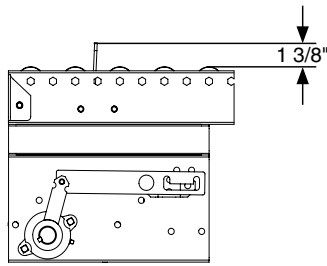
## OPTIONAL EQUIPMENT AND DEVICES

**PIN AND BLADE STOPS** - Pneumatically or manually operated pin, blade and roller stop that pops up between rollers in order to accumulate product

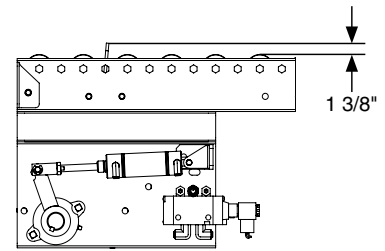
**Manual Pop-Up Blade Stop** - Used to stop products in the conveying line. Mounted to underside of conveyor. Side handle for manually raising blade. Load capacity is rated for maximum accumulated back pressure of 75 lbs.

**Pneumatic Pop-Up Blade Stop** - Used to stop products in the conveying line. Mounted to underside of conveyor. Pneumatic cylinder raises blade. Load capacity is rated for maximum accumulated back pressure of 75 lbs.

**Pin Stop** - Mounted to underside of conveyor. Pneumatic cylinder raises pins. Typically utilized on round product.



MANUAL POP-UP BLADE STOP

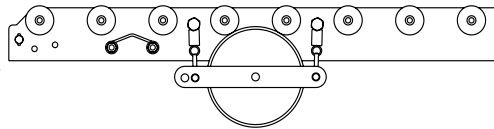


PNEUMATIC POP-UP BLADE STOP



PIN STOP

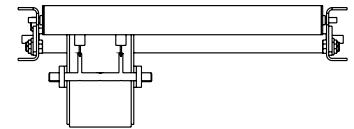
### PIN AND BLADE STOPS



SIDE VIEW

### BRAKE ROLLERS

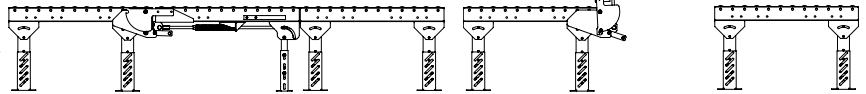
**BRAKE ROLLERS** - Installed below gravity conveyor rollers to provide speed control of the product



END VIEW

### LIFT GATES

**SPRING ASSISTED GATE SECTION** - Gate sections provide easy access for personnel and equipment. The gate rests against a support which is mounted to the next conveyor in line. Springs provide counter-balancing forces to assist in raising and lowering of the gate.

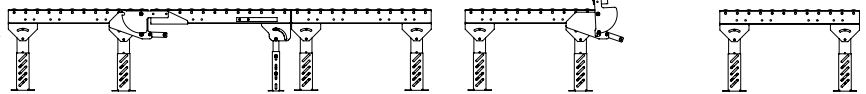


DOWN

### SPRING ASSISTED GATE SECTION

UP

**MANUAL GATE SECTION** - Gate sections provide easy access for personnel and equipment. The gate rests against a support which is mounted to the next conveyor in line.



DOWN

### MANUAL GATE SECTION

UP

**ROLLER COATINGS OR SLEEVES** - Rollers available with urethane and vinyl sleeves. Coatings available in cast urethane, millable urethane, black rubber, food grade and other materials based on the application.

**ROLLER OPTIONS** - Non-precision, semi-precision and ABEC precision bearings available. Mild steel, galvanized steel, stainless steel, aluminum, industrial pipe and PVC tubes available. Zinc, chrome and nickel plating available.

**STAINLESS STEEL** - Conveyors are available in stainless steel materials in washdown applications or harsh environments

**DECLINES** - Available upon request

**BALL TRANSFER TABLE OPTIONS** - Bolt-in pans with units only (less sideframes)

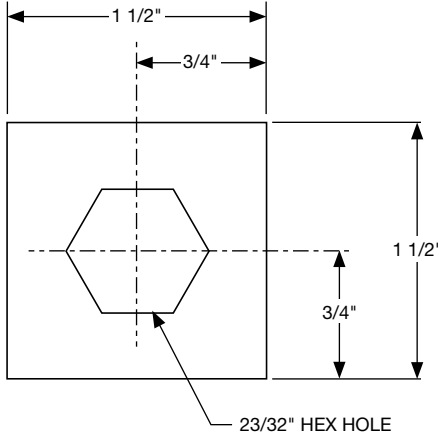
**FINISHES** - Powder coat and epoxy available



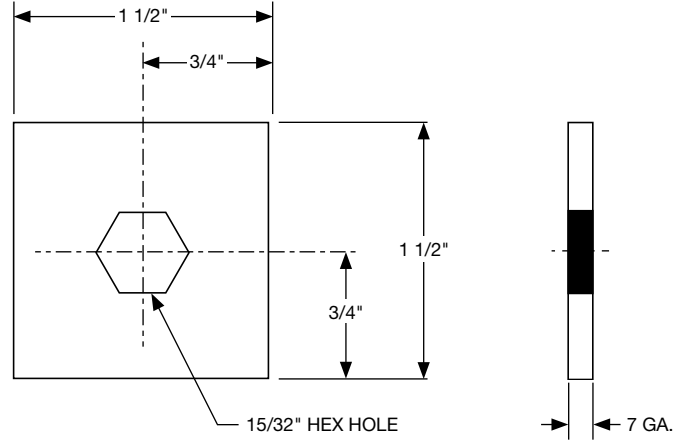
ROLLER COATINGS OR SLEEVES

# MOUNTING HARDWARE

## ROLLER HEX TABS



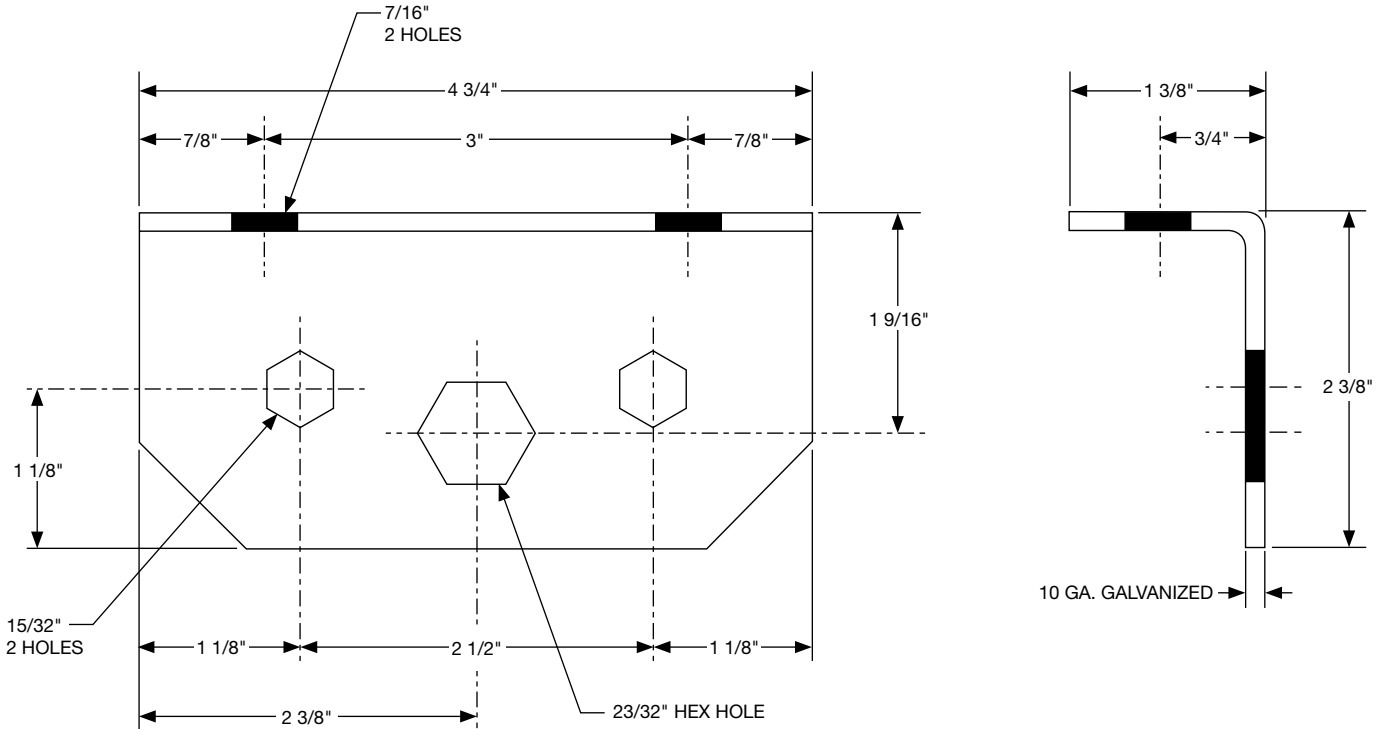
**Part No. 21334**  
For 11/16" Axle



**Part No. 26064**  
For 7/16" Axle

Tack welded to existing frames with worn holes or used to modify round holes for hex axles

## MOUNTING BRACKETS



**Part No. 28750**

Bolted to existing frames with worn holes or used to modify round holes for hex axles





# LINESHAFT DRIVEN ROLLER CONVEYOR

## **SECTION CONTENT**

Straight

Curve

Straight Spur

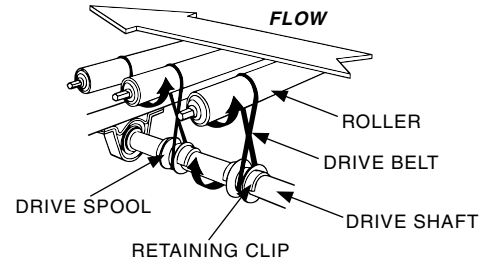
Optional Equipment and Devices



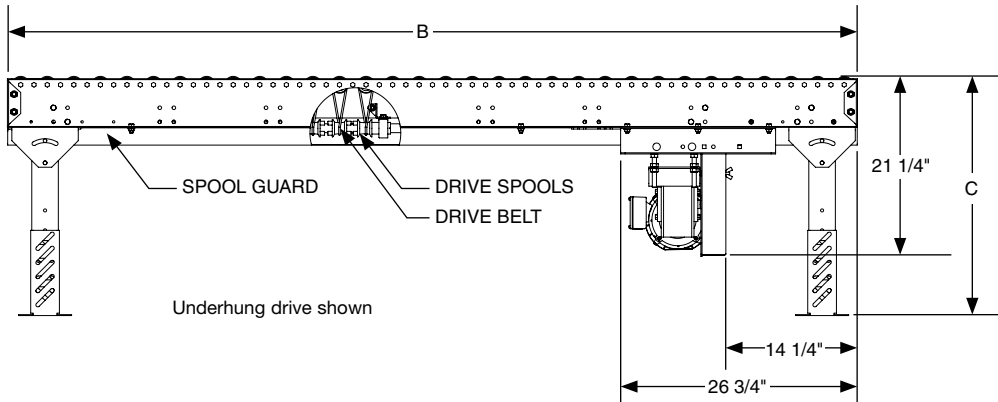


### WHY LS?

- Maximum conveyor length per AC drive available
- Economical conveyance of loads up to 75 lbs. or 15 lbs. per roller
- Easily add slaved components; curves, spurs and transfers
- Increased driving force with optional keyed spools and high tension bands
- Full line of standard modular accessories
- Common applications include box, tote or tray transportation and minimum pressure accumulation



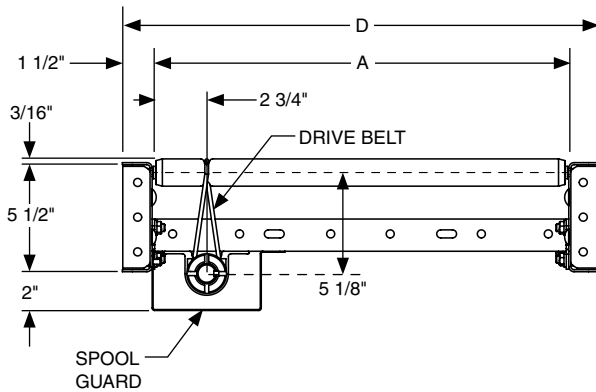
### LINESHAFT CONVEYOR - STRAIGHT



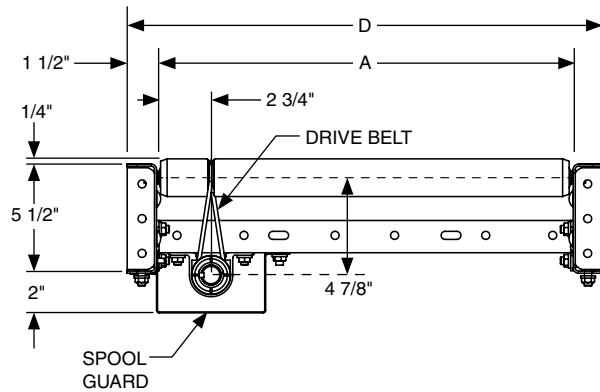
	1.4"	1.9"
<b>A</b>	10" - 28"	13" - 39"
<b>B</b>	3' - 70'	3' - 110'
<b>C</b>	11" - 88"	
<b>D</b>	A + 3"	

A = Between Frame (BF) (1" Increments)  
 B = Overall Length (OAL) (Any Increment)  
 C = Top of Roller (TOR)  
 D = Overall Width (OAW)

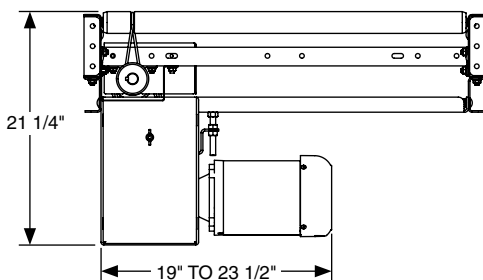
#### 1.4 ROLLER



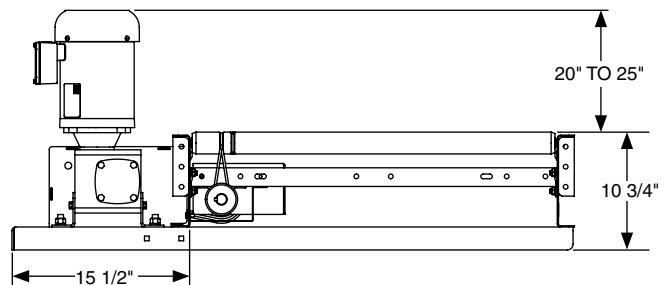
#### 1.9 ROLLER



#### UNDERHUNG DRIVE



#### SIDE MOUNTED DRIVE



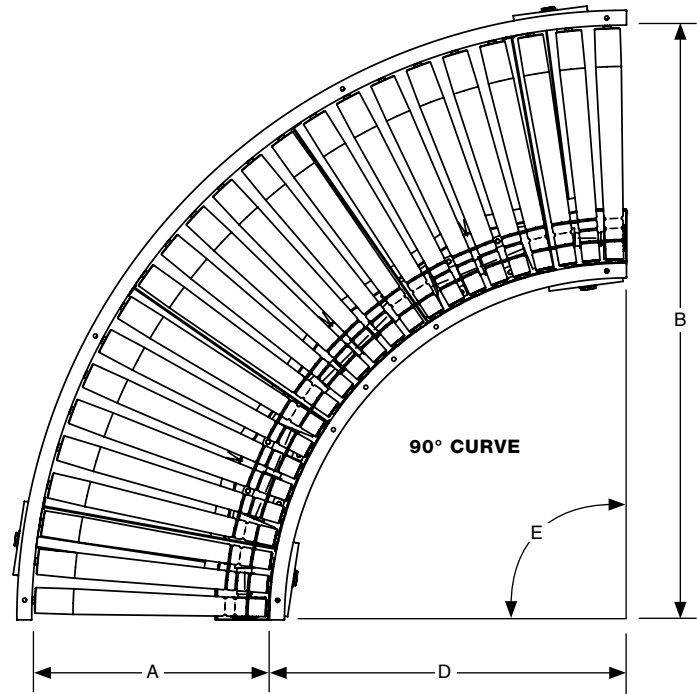
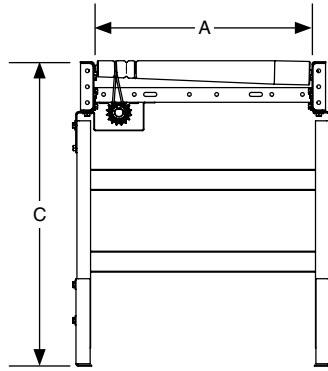
# LINESHAFT CONVEYOR - CURVE



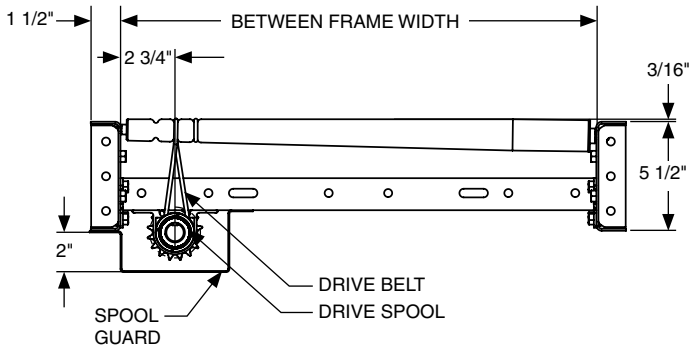
	1.4"	1.9"
<b>A</b>	10" - 28"	13" - 39"
<b>B</b>	46" - 64"	49" - 75"
<b>C</b>	11" - 88"	
<b>D</b>	36"	
<b>E</b>	30°, 45°, 60° and 90°	

A = Between Frame (BF) (1" Increments)  
 B = Outside Radius (OR)  
 C = Top of Roller (TOR)  
 D = Inside Radius (IR)  
 E = Degree

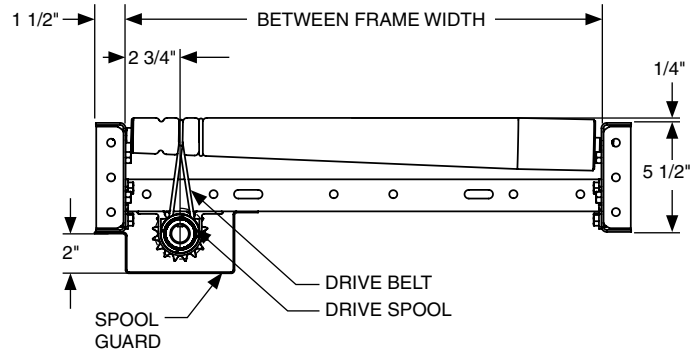
Taper and straight rollers available for curves



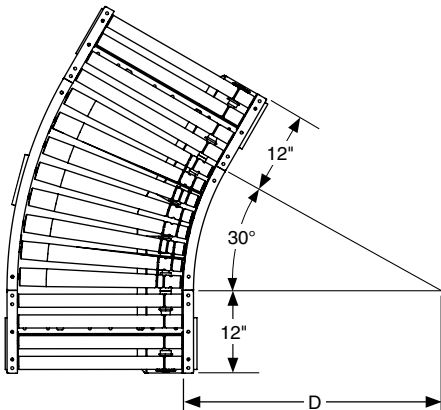
## 1.4 TAPERED ROLLER



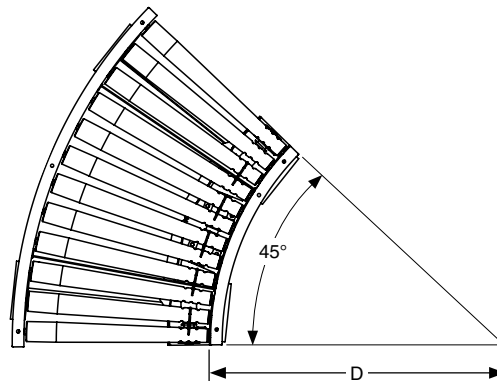
## 1.9 TAPERED ROLLER



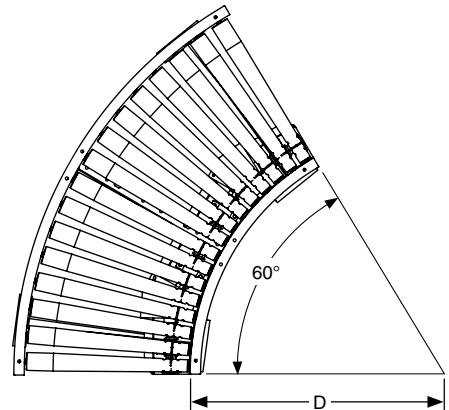
## 30° CURVE



## 45° CURVE

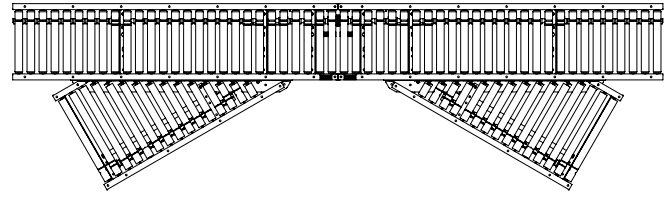
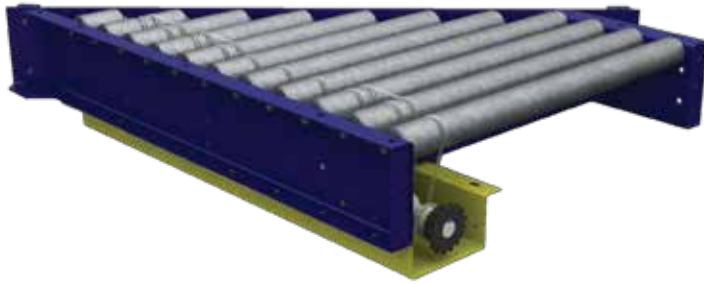


## 60° CURVE



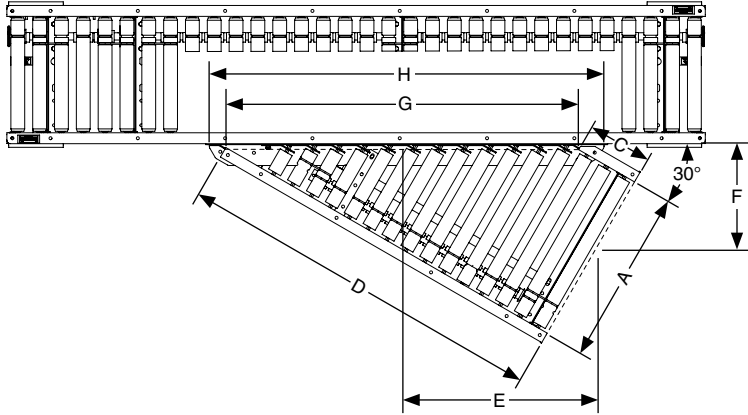
Note: 30° curves are supplied with 12" minimum tangents

# LINESHAFT CONVEYOR - STRAIGHT SPUR



RIGHT HAND

LEFT HAND



	1.4"	1.9"
A	10" - 28"	13" - 39"
B	11" - 88"	

- A = Between Frame (BF)
- B = Top of Roller (TOR)
- C = Short Rail Length
- D = Long Rail Length
- E = Trunk Line Displacement
- F = Take Off Displacement
- G = Throat
- H = Shelf Bracket Length

30° STRAIGHT SPUR CONVEYOR							45° STRAIGHT SPUR CONVEYOR					
A (in.)	C (in.)	D (in.)	E (in.)	F (in.)	G (in.)	H (in.)	C (in.)	D (in.)	E (in.)	F (in.)	G (in.)	H (in.)
Between Frame Width	Short Rail Length	Long Rail Length	Trunk Line Displacement	Take Off Displacement	Throat	Shelf Bracket Length	Short Rail Length	Long Rail Length	Trunk Line Displacement	Take Off Displacement	Throat	Shelf Bracket Length
10	15	36	23	10 15/16	23 1/4	30 13/16	24	36	23 1/16	19 3/16	15 5/8	23 7/8
11			22 9/16	11 13/16	23 11/16	30 13/16			22 1/8	20 1/4	16 1/4	
12			21 7/16	10 3/4	26 13/16	30 13/16			21 3/16	21 3/16	17	
13	12	36	21 1/8	11 7/16	27 5/16	30 13/16	21	36	21 9/16	18 11/16	19 7/8	28 1/8
14			30 5/8	15 7/8	30 7/16	37 3/4			20 13/16	19 7/16	20 1/2	
15	21	48	30 3/16	16 3/4	30 7/8	37 3/4	18	36	20 1/8	20 1/8	21 3/16	32 3/8
16			29 1/8	15 1/2	34	37 3/4			20 3/16	17 15/16	24 1/16	
17	15	48	28	14 7/16	37 1/8	44 11/16	15	36	19 5/8	18 9/16	24 3/4	36 9/16
18			27 5/8	15 1/16	37 9/16	44 11/16			19 1/16	19 1/16	25 7/16	
19	12	48	26 9/16	14	40 11/16	44 11/16	12	36	18 15/16	17 1/8	28 5/16	40 13/16
20			26 1/4	14 9/16	41 3/16	44 11/16			18 7/16	17 9/16	29	
21	21	60	35 11/16	19 3/16	44 5/16	53 1/2	15	48	18	18	29 11/16	45 1/16
22			34 9/16	18 1/8	47 7/16	53 1/2			17 11/16	16 3/16	32 9/16	
23	18	60	34 3/16	18 3/4	47 7/8	53 1/2	21	48	17 5/16	16 5/8	33 1/4	49 5/16
24			33 1/16	17 5/8	51	58 9/16			17	17	33 15/16	
25	15	60	32 3/4	18 3/16	51 1/2	58 9/16	18	48	25 5/16	23 7/16	36 13/16	53 9/16
26			31 5/8	17 1/8	54 9/16	58 9/16			24 7/8	23 15/16	37 1/2	
27	12	60	31 3/8	17 5/8	55 1/16	58 9/16	15	48	24 3/8	24 3/8	38 3/16	57 7/8
28			40 3/4	22 3/8	58 3/16	67 3/16			24 1/8	22 1/2	41 1/16	
29	21	72	39 5/8	21 5/16	61 5/16	67 3/16	21	60	23 3/4	22 15/16	41 3/4	62 1/16
30			39 5/16	21 7/8	61 3/4	67 3/16			23 5/16	23 5/16	42 7/16	
31	18	72	38 3/16	20 13/16	64 7/8	72 3/8	18	60	22 15/16	21 9/16	45 1/4	57 7/8
32			37 15/16	21 5/16	65 3/8	72 3/8			22 5/8	21 15/16	45 15/16	
33	15	72	36 13/16	20 1/4	68 1/2	72 3/8	15	60	22 1/4	22 1/4	46 11/16	53 9/16
34			36 9/16	20 11/16	68 15/16	72 3/8			21 13/16	20 5/8	49 1/2	
35	21	84	45 7/8	25 1/2	72 1/16	81 1/16	12	60	21 1/2	20 15/16	50 3/16	57 7/8
36			44 3/4	24 7/16	75 3/16	81 1/16			21 3/16	21 3/16	50 15/16	
37	18	84	44 1/2	24 15/16	75 11/16	81 1/16	21	60	29 3/8	27 7/8	53 3/4	62 1/16
38			43 3/8	23 7/8	78 3/4	84 1/2			29	28 1/4	54 7/16	
39	15	84	43 1/16	24 3/8	79 1/4	84 1/2	21	60	28 5/8	28 5/8	55 1/8	62 1/16

1.4" ROLLER

1.9" ROLLER



# DRIVE SPECIFICATIONS

1.4" ROLLER											
SPEED (FPM)	MAXIMUM LENGTH (LINEAR FEET)										
	Roller Centers (in.)	HP (Drive at End)					HP (Drive at Center)				
		1/2	3/4	1	1 1/2	2	1/2	3/4	1	1 1/2	2
30	1 1/2	41	62	70	70	70	41	62	70	70	70
	2	55	83	93	93	93	55	83	93	93	93
	3	83	110	110	110	110	83	110	110	110	110
45	1 1/2	27	41	55	70	70	27	41	55	70	70
	2	36	55	73	93	93	36	55	73	93	93
	3	55	83	110	110	110	55	83	110	110	110
60	1 1/2	20	30	41	61	70	20	30	41	61	70
	2	27	41	55	82	93	27	41	55	82	93
	3	41	61	82	110	110	41	61	82	110	110
90	1 1/2	13	20	27	40	54	13	20	27	40	54
	2	18	27	36	54	72	18	27	36	54	72
	3	27	40	54	81	109	27	40	54	81	109
120	1 1/2	10	15	20	30	40	10	15	20	30	40
	2	13	20	27	40	54	13	20	27	40	54
	3	20	30	40	61	81	20	30	40	61	81

1.9" ROLLER											
SPEED (FPM)	MAXIMUM LENGTH (LINEAR FEET)										
	Roller Centers (in.)	HP (Drive at End)					HP (Drive at Center)				
		1/2	3/4	1	1 1/2	2	1/2	3/4	1	1 1/2	2
30	2	55	73	73	73	73	55	73	73	73	73
	3	83	110	110	110	110	83	110	110	110	110
	4	110	110	110	110	110	110	110	110	110	110
	6	110	110	110	110	110	110	110	110	110	110
45	2	36	55	73	73	73	36	55	73	73	73
	3	55	83	110	110	110	55	83	110	110	110
	4	73	110	110	110	110	73	110	110	110	110
60	6	110	110	110	110	110	110	110	110	110	110
	2	27	41	55	73	73	27	41	55	73	73
	3	41	61	82	110	110	41	61	82	110	110
	4	55	82	110	110	110	55	82	110	110	110
90	6	82	110	110	110	110	82	110	110	110	110
	2	18	27	36	54	72	18	27	36	54	72
	3	27	40	54	81	109	27	40	54	81	109
	4	36	54	72	109	110	36	54	72	109	110
120	6	54	81	109	110	110	54	81	109	110	110
	2	13	20	27	40	54	13	20	27	40	54
	3	20	30	40	61	81	20	30	40	61	81
	4	27	40	54	81	108	27	40	54	81	108
120	6	40	61	81	110	110	40	61	81	110	110

# STANDARD SPECIFICATIONS

**ROLLERS** - 1.4" dia. x 18 ga. galvanized steel tubes, 5/16" spring retained hex axle, non-precision bearings with 1 1/2", 2" and 3" roller centers. 1.9" dia. x 16 ga. galvanized steel tubes, 7/16" spring retained hex axle, non-precision or precision bearings with 2", 3", 4" and 6" roller centers.

**CURVE ROLLERS** - 1.4" dia. taper (1 1/2" to 1" dia) x 18 ga. zinc plated tube, 5/16" spring retained hex axle, non-precision bearings with 1 1/2" nominal roller centers. 1.9" dia. taper (2 1/2" to 1 11/16" dia.) x 14 ga. zinc plated tube, 7/16" spring retained hex axle, non-precision or precision bearings with 3" nominal roller centers.

**FRAME** - 5 1/2" high x 1 1/2" flange x 12 ga. galvanized formed channel frames with bolt-on end couplers

**CONSTRUCTION** - Bolt-together frames, spreaders, end couplers and splice plates

**BETWEEN FRAME WIDTHS** - 1.4" dia. roller 10" to 28" and 1.9" dia. roller 13" to 39", both in 1" increments

**OVERALL LENGTH** - 1.4" dia. roller 3' to 70' and 1.9" dia. roller 3' to 110', both in any increment

**CURVE DEGREES** - 30°, 45°, 60° and 90°

**DRIVE STYLE** - Straight - Underhung, side mount or slave driven. Curve - Underhung or slave driven.

**SPEED** - 25 to 120 FPM

Expanded product parameters available. For more information see Tech Handbook.

**MOTOR** - 1/2 HP through 2 HP, 1750 RPM, C-face, 208-230-460V/3PH/60Hz, TEFC

**REDUCER** - Sealed, worm gear, C-face

**DRIVE SPROCKETS** - #50 series sprockets with keyed hubs and set screws

**MOUNTED BEARINGS** - Precision, sealed, pre-lubricated, self-aligning, pillow block ball bearing units with stamped steel housing

**DRIVE CHAIN** - #50 series roller chain

**DRIVE SHAFT** - 1" dia. steel shaft full length of conveyor. Delrin chain coupling at bed joints.

**DRIVE SPOOLS** - 2" dia. Delrin spool held in place on shaft by snap on retaining clips

**DRIVE BELTS** - 3/16" dia. urethane belts from drive spools to rollers

**SPOOL GUARD** - Encloses underside of drive shaft, spools and drive belts for full length of conveyor

**SUPPORTS** - Adjustable H-style, bolted 12" to 88" from floor to top of roller. One support at every bed joint and at ends of conveyor. Supports are shipped loose.

**FINISHES** - Galvanized steel standard. Powder coat available.

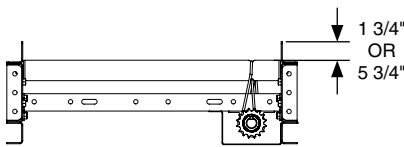
# ROLLER AND FRAME SPECIFICATIONS

STRAIGHT	ROLLER DIAMETER	BEARINGS	TUBE DETAIL		AXLE DETAIL			ROLLER SPACING	MAXIMUM LOAD PER ROLLER	GALVANIZED FRAME	MAXIMUM LOAD PER PRODUCT
		Details	Wall Thickness	Material	Size	Type	Retention	Centers	lbs.	12 Ga. Formed Channels	lbs.
	1.4"	Non-Precision	18 Ga.	Galvanized	5/16"	Hex	Spring	1 1/2", 2" and 3"	10	5 1/2" high x 1 1/2" flange	75
1.9"	Non-Precision or ABEC Precision	16 Ga.	Galvanized	7/16"	Hex	Spring	2", 3", 4" and 6"	15	5 1/2" high x 1 1/2" flange	75	

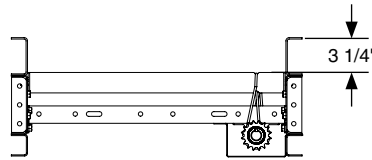
  

CURVE	CURVE TYPE	INSIDE RADIUS	ROLLER DIAMETER	BEARINGS	TUBE DETAIL		AXLE DETAIL			ROLLER SPACING	MAXIMUM LOAD PER ROLLER	MAXIMUM LOAD PER PRODUCT
				Details	Wall Thickness	Material	Size	Type	Retention	Centers	lbs.	lbs.
	30°, 45°, 60°, 90°	36"	1.4" Tapered (1 1/2" - 1")	Non-Precision	18 Ga.	Zinc Plated	5/16"	Hex	Spring	1 1/2" Nominal	10	75
	36"	1.9" Tapered (2 1/2" - 1 11/16")	Non-Precision or ABEC Precision	14 Ga.	Zinc Plated	7/16"	Hex	Spring	3" Nominal	15	75	

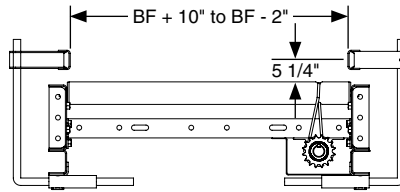
# OPTIONAL EQUIPMENT AND DEVICES



FIXED ANGLE SIDE GUIDES



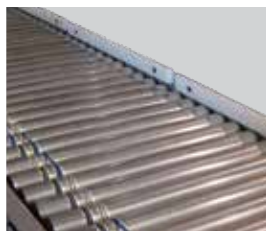
FIXED CHANNEL SIDE GUIDES



ADJUSTABLE CHANNEL SIDE GUIDES



ADJUSTABLE ANGLE SIDE GUIDES



UHMW LINED FIXED ANGLE SIDE GUIDES



ADJUSTABLE RAIL UHMW SIDE GUIDES



SKATEWHEEL SIDE GUIDES



BEAD RAIL SIDE GUIDES

**SIDE GUIDES**

**SIDE GUIDES** - Available in fixed or adjustable with multiple contact surfaces. Allows product to be guided and kept in place within the conveying surface. Side guides are bolted to the conveyor frame.

**Fixed Angle Side Guides** - Standard 2" high or 6" high, 12 ga. formed angle

**Fixed Channel Side Guides** - Standard 3 1/2" high, 12 ga. formed channel

**Adjustable Channel Side Guides** - Standard 1 5/8" high x 1" high, 12 ga. formed channel, width and height adjustable

**Adjustable Angle Side Guides** - Angle guides typically formed angle, width adjustable

**UHMW Lined Fixed Angle Side Guides** - Replaceable UHMW face provides wear protection for angle guides

**Adjustable Rail UHMW Side Guides** - Replaceable UHMW face provides wear protection on rails, width and height adjustable

**Skatewheel Side Guides** - Vertically mounted skatewheels

**Bead Rail Side Guides** - Vertically mounted, tightly spaced small wheels supported by axles and a metal channel

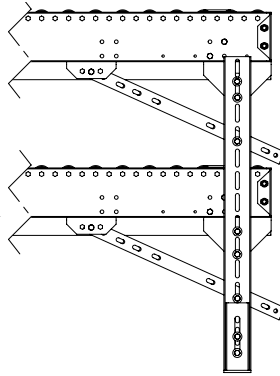
## OPTIONAL EQUIPMENT AND DEVICES

**SUPPORTS** - Available in single or multi-tier and with caster options for portability. Supports are designed to be bolted to the conveyor frame. Supports are shipped loose.

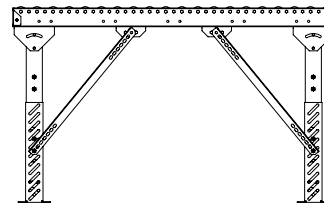
**Multi-Tier Supports** - 3" x 1 1/2" x 12 ga. formed channel leg uprights (1500 lbs. capacity)

**Knee Brace Supports** - Formed angle brace adds stability to conveyor and leg supports

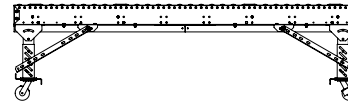
**Portable H-Stands** - 3" x 1 1/2" x 12 ga. formed channel leg uprights (800 lbs. capacity)



MULTI-TIER SUPPORTS  
**SUPPORTS**

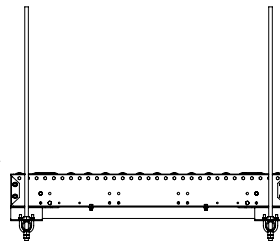


KNEE BRACE SUPPORTS

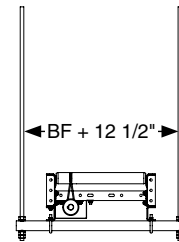


PORTABLE H-STANDS

**CEILING HANGERS** - Allows conveyor to be suspended from the ceiling. Threaded rod is attached to support steel under the conveyor frame. Ceiling attachments to threaded rod by others.



SIDE VIEW  
**CEILING HANGERS**



END VIEW

← BF + 12 1/2" ← 5/8 - 11 threaded rod x 10'

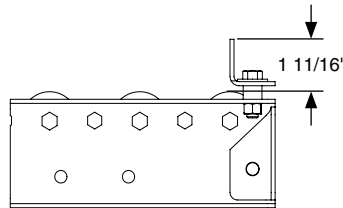
**END STOPS** - Allows product to stop at the end of a conveyor line. Fixed and adjustable end stops are available. Fixed stops can include fork cut outs for unloading.

**Fixed Angle Stops** - Formed angle end stop bolted to top flange of conveyor frame

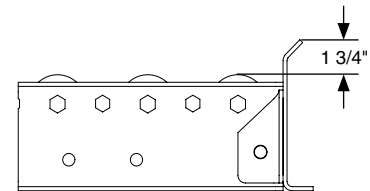
**Fixed Channel Stops** - Formed channel end stop bolted to conveyor end coupling

**Fixed Roller Stops** - 1.9" dia. rollers mounted in formed angle brackets, bolted to the top flange of conveyor frame

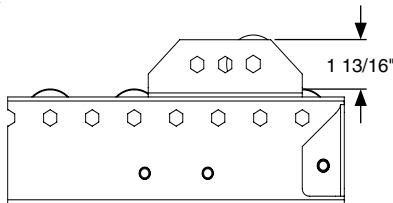
**Adjustable End Stops** - Formed steel adjustable end stop bolted to conveyor frame with manually adjusted stop position. Height is not adjustable.



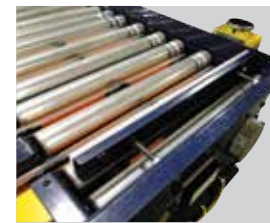
FIXED ANGLE STOPS



FIXED CHANNEL STOPS

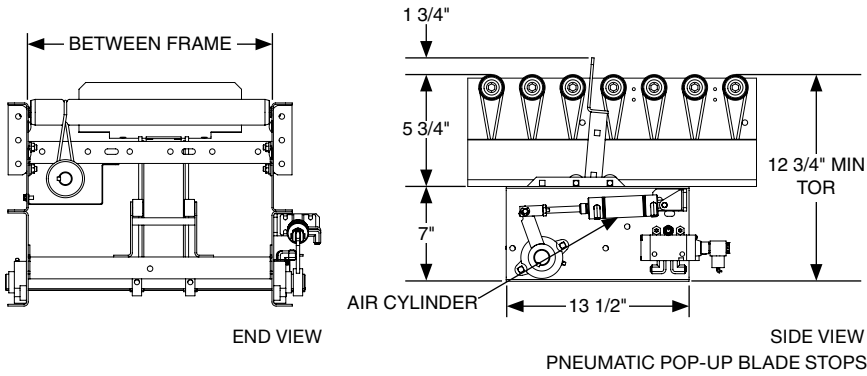


FIXED ROLLER STOPS  
**END STOPS**



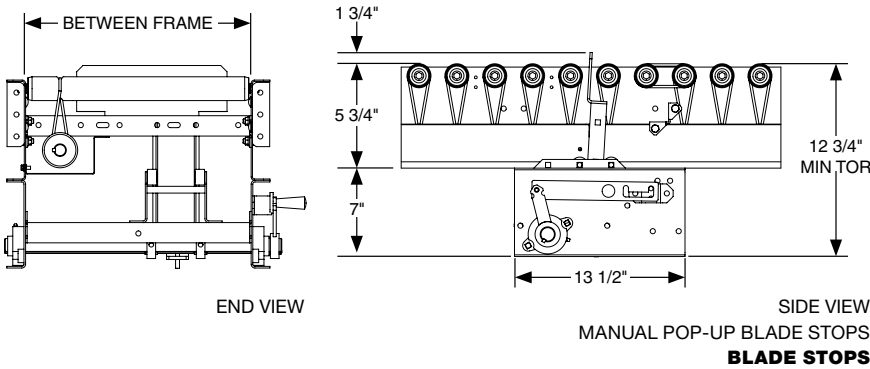
ADJUSTABLE END STOPS

# OPTIONAL EQUIPMENT AND DEVICES

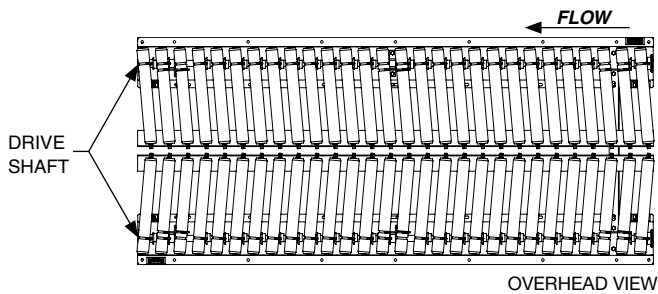


**BLADE STOPS** - Pneumatically or manually operated blade and roller stop that pops up between rollers in order to accumulate product

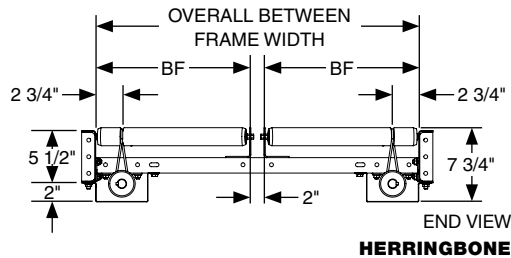
**Pneumatic Pop-Up Blade Stops** - Used to stop products in the conveying line. Mounted to underside of conveyor. Pneumatic cylinder raises blade. Load capacity is rated for maximum accumulated back pressure of 75 lbs.



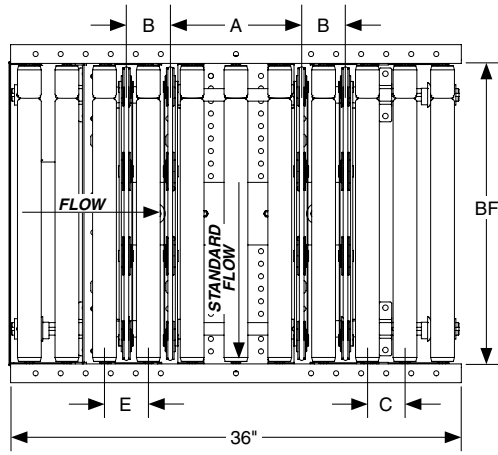
**Manual Pop-Up Blade Stops** - Used to stop products in the conveying line. Mounted to underside of conveyor. Side handle for manually raising blade. Load capacity is rated for maximum accumulated back pressure of 75 lbs.



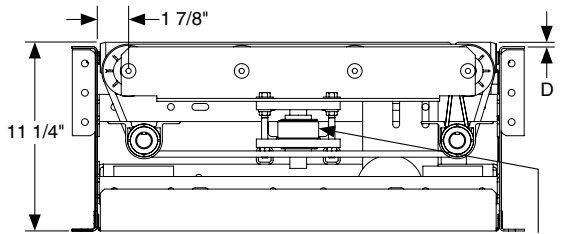
**HERRINGBONE** - Consists of 2 parallel lanes powered by a common drive. Rollers are skewed in order to center product. Products can infeed from parallel lanes and discharge into a single lane.



# OPTIONAL EQUIPMENT AND DEVICES



OVERHEAD VIEW



END VIEW  
STANDARD FLOW

AIR BAG

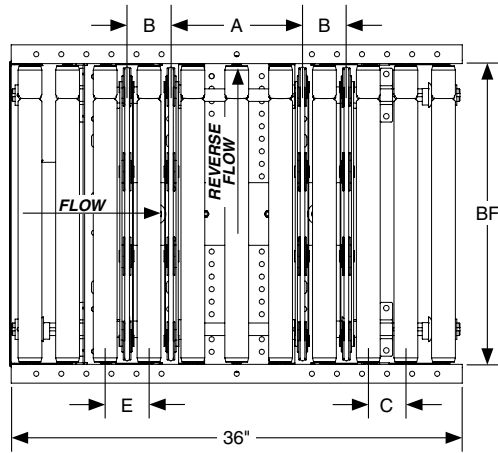
## URETHANE BELT TRANSFER DEVICES

**Standard Flow** - Slaved from other lineshaft sections. Transfer belts are raised pneumatically above conveying surface to transfer product at 90° onto another conveyor line.

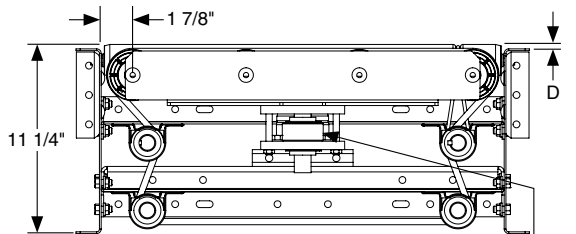
**Reverse Flow** - Slaved from other lineshaft sections. Transfer belts are raised pneumatically above conveying surface to transfer product at 90° onto another conveyor line. Product transfers opposite that of the standard flow device.

**Load Capacity** - Maximum package weight is 75 lbs.

**Transfer Belts** - Four powered 3/8" dia. urethane belts are pneumatically lifted 3/4" above roller surface



OVERHEAD VIEW



END VIEW  
REVERSE FLOW

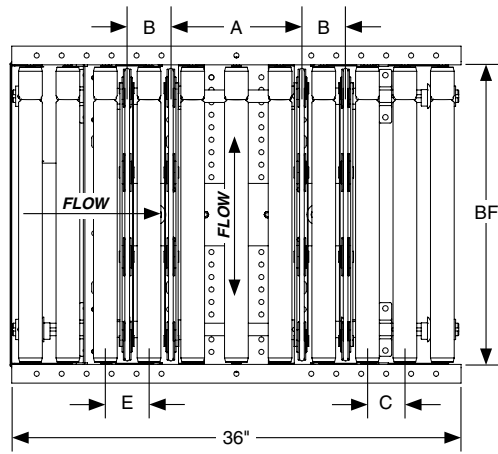
AIR BAG

## URETHANE BELT TRANSFER DEVICES

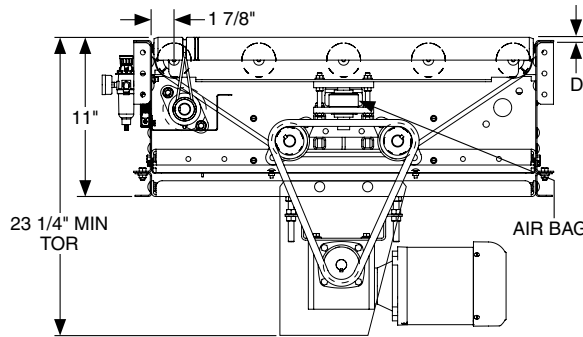
BELT TRANSFER STANDARD BELT CENTERS					
ROLLER DIAMETER	A	B	C	D	E
1.4"	7 5/8"	4 1/2"	1 1/2"	1/4"	3"
1.9"	10 1/2"	3 1/2"	3"	1/4"	3 1/2"

**Urethane Belt Transfer Options** - Drive package, custom belt centers, fifth belt strand optional, timing belt in place of jump chain and end guard kit

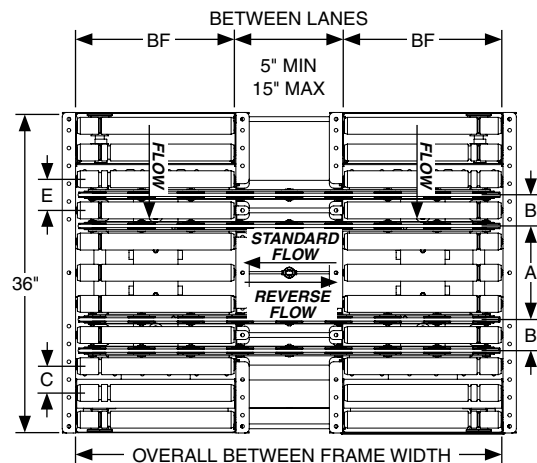
# OPTIONAL EQUIPMENT AND DEVICES



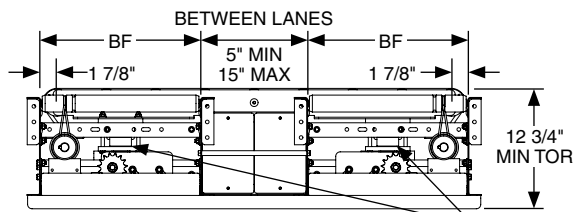
OVERHEAD VIEW



END VIEW  
BI-DIRECTIONAL



OVERHEAD VIEW



AIR BAG  
END VIEW  
DUAL LANE

## URETHANE BELT TRANSFER DEVICES

### URETHANE BELT TRANSFER DEVICES (CONTINUED)

**Bi-Directional** - Tread rollers are slaved from other lineshaft sections. Transfer belts are independently powered by a separate drive and are pneumatically raised above conveying surface to transfer products at 90°, in either direction, onto another conveyor line.

**Dual Lane** - Slaved from other lineshaft sections. Transfer belts are pneumatically raised above the conveying surface to transfer product at 90° onto another parallel conveying line. Available in split standard flow and reverse.

**Load Capacity** - Maximum package weight is 75 lbs.

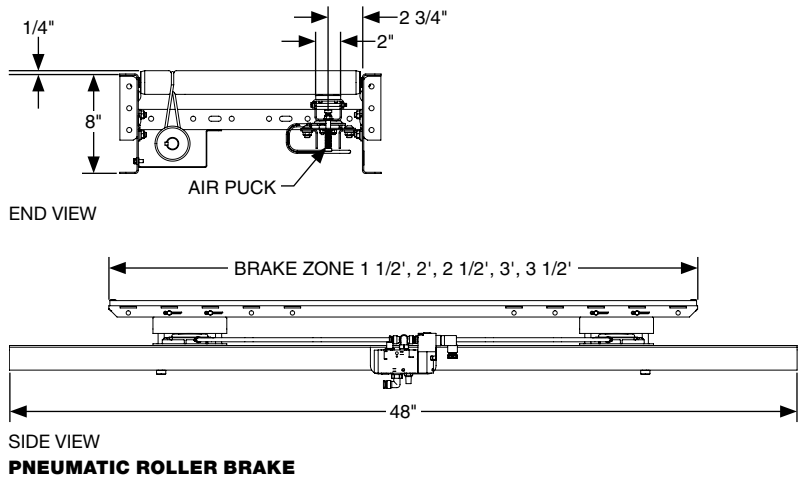
**Transfer Belts** - Four powered 3/8" dia. urethane belts are pneumatically lifted 3/4" above roller surface

BELT TRANSFER STANDARD BELT CENTERS					
ROLLER DIAMETER	A	B	C	D	E
1.4"	7 5/8"	4 1/2"	1 1/2"	1/4"	3"
1.9"	10 1/2"	3 1/2"	3"	1/4"	3 1/2"

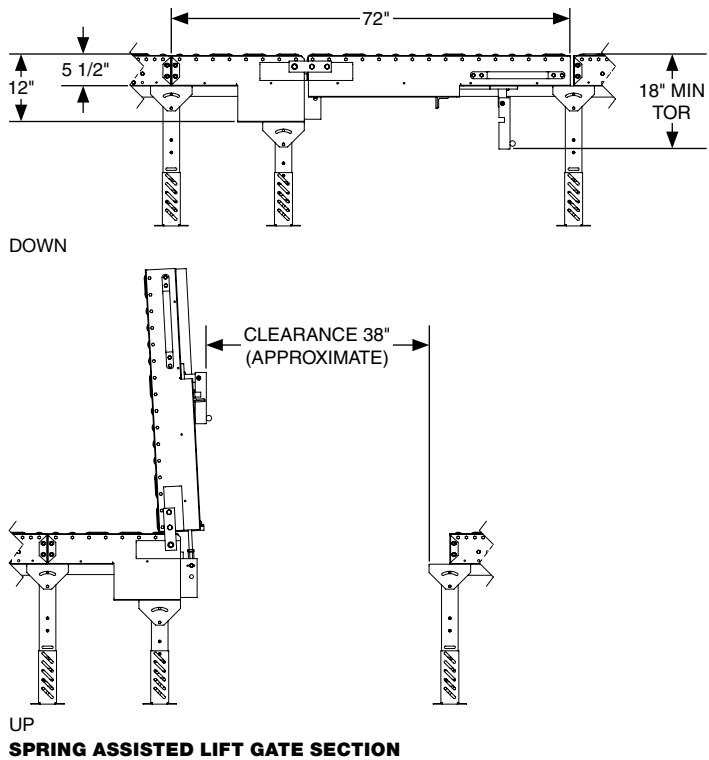
**Urethane Belt Transfer Options** - Drive package, custom belt centers, fifth belt strand optional, timing belt in place of jump chain and end guard kit

## OPTIONAL EQUIPMENT AND DEVICES

**PNEUMATIC ROLLER BRAKE** - Bolts to spreaders underneath standard lineshaft conveyor straight sections. It is used to stop all rollers in a specific area to halt or accumulate product. Load capacity is rated for maximum accumulated back pressure of 75 lbs.



**SPRING ASSISTED LIFT GATE SECTION** - Power transmitted from other lineshaft sections at the infeed end. Gate sections provide easy access for personnel and equipment. The gate rests against a support which is mounted to the next conveyor in line. Power cannot be transmitted through the end of the gate. Another power supply must be supplied for conveyors beyond the end of the gate section. Springs provide counter-balancing forces to assist in raising and lowering of the gate. Available with fold-away legs for a self supporting gate.



**SKewed ROLLERS** - Utilized to align products to one side of the conveyor

**ROLLER COATINGS OR SLEEVES** - Rollers available with urethane and vinyl sleeves. Coatings available in cast urethane, millable urethane, black rubber, food grade and other materials based on the application.

**ROLLER OPTIONS** - Non-precision, semi-precision and ABEC precision bearings available. Mild steel, galvanized steel, stainless steel, aluminum, industrial pipe and PVC tubes available. Zinc, chrome and nickel plating available.



**ROLLER COATINGS OR SLEEVES**



**SKewed ROLLERS**



# PLASTIC BELT CONVEYOR

## SECTION CONTENT

Straight

Curve

Optional Equipment and Devices





# PBC PLASTIC BELT CONVEYOR

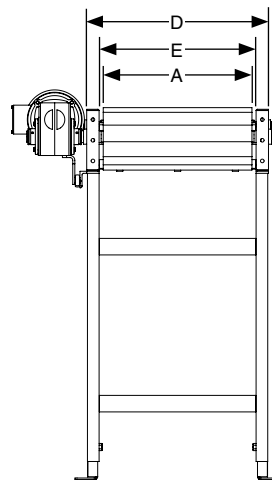
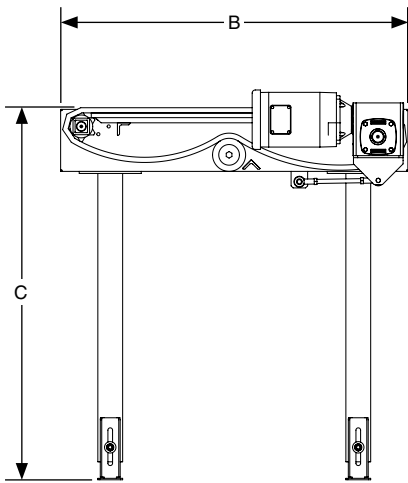


## WHY PBC?

- No belt tracking required
- Modular belting is easily replaceable for one section or an entire belt
- Many belt styles and designs to choose from for your application
- Backed by the support of Intralox®, the largest plastic belt supplier worldwide
- Common types of belt include flat top, friction flat top, inline roller top, transverse roller top and flush grid
- Common applications include transportation, washdown, accumulation and many other applications due to the versatility of the product line

## PLASTIC BELT CONVEYOR - STRAIGHT

### END DRIVE

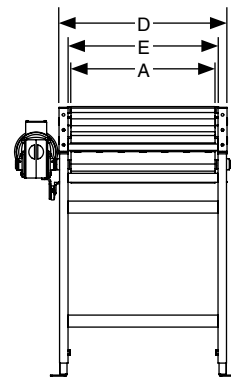
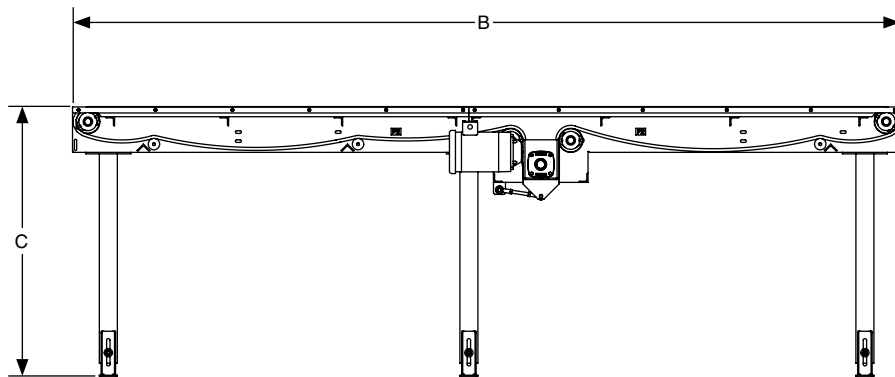


<b>A</b>	2" - 144"
<b>B</b>	3' - 100'
<b>C</b>	8" - 60"
<b>D</b>	A + 5"
<b>E</b>	A + 2"

A = Belt Width (BW) (1" Increments)  
 B = Overall Length (OAL) (Any Increment)  
 C = Top of Belt (TOB)  
 D = Bed Width  
 E = Between Frame (BF)

Additional widths, lengths and heights available per application

### CENTER DRIVE



## STANDARD SPECIFICATIONS

**BELT** - Flat top, friction flat top, inline roller top, transverse roller top and flush grid

**FRAME** - 7 1/2" high x 1 1/2" flange x 10 ga. steel formed channel

**BED DESIGN** - Evenly spaced vertical steel bars with UHMW wearstrips

**CONSTRUCTION** - Welded frames and spreaders

**BELT WIDTH** - 2" to 144" in 1" increments

**OVERALL LENGTH** - 3' to 100' in any increment

**DRIVE STYLE** - Shaft mount end drive

**SPEED** - Up to 300 FPM

**MOTOR** - 1/2 HP through 5 HP, 1750 RPM, C-face, 208-230-460V/3PH/60Hz, TEFC inverter duty motor

Expanded product parameters available

**REDUCER** - Sealed, worm gear, C-face

**DRIVE SPROCKETS** - 6" nominal dia., with square shafting

**TAIL SPROCKETS** - 4" nominal dia., with square shafting

**MOUNTED BEARINGS** - Precision, sealed, pre-lubricated, self-aligning, flange mount ball bearing units with cast iron housing

**RETURN ROLLERS** - 1.9" dia. x .145" wall mild steel tubes, 7/16" spring retained hex axle, non-precision grease packed bearings

**TAKE-UP** - Screw type take-up assembly

**SUPPORTS** - Structural or formed channel H-style, welded 8" to 60" from floor to top of belt. Supports are shipped loose.

**FINISHES** - Powder coat finish standard. Wet spray available.

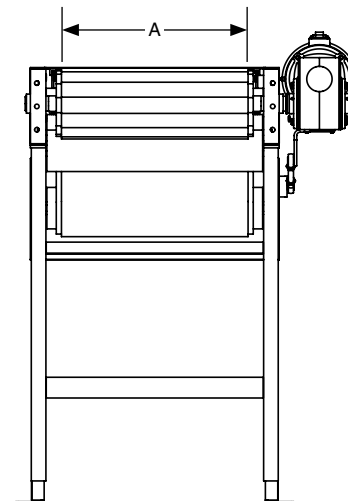
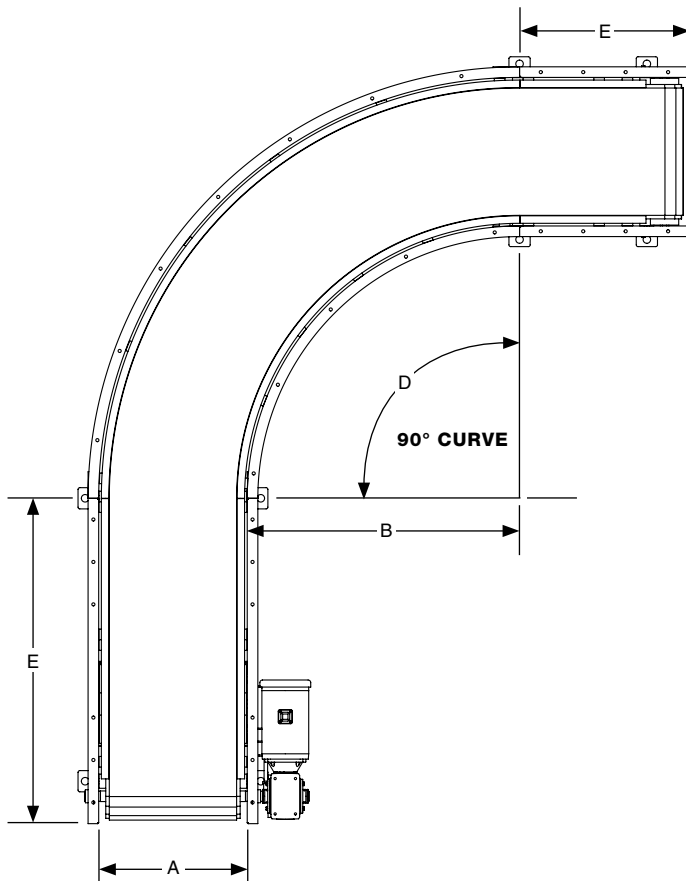
## PLASTIC BELT CONVEYOR - CURVE



<b>A</b>	6" - 24"
<b>B</b>	A x 2.2" Minimum
<b>C</b>	8" - 60"
<b>D</b>	30°, 45°, 60°, 90°, 180° and Special Degree Curves in 1° Increments
<b>E</b>	A x 2

A = Belt Width (1" Increments)  
 B = Inside Radius (Application Dependent)  
 C = Top of Belt (TOB)  
 D = Degree  
 E = Tangent

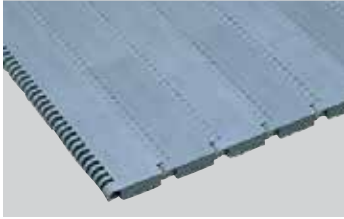
Tangents required, length based on application  
 Additional widths and heights available per application



# BELT OPTIONS

## FLAT TOP

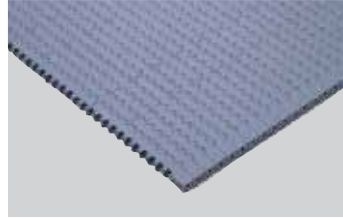
SERIES 400



### SERIES 400

- Medium pressure accumulation
- Varied product foot print
- Durable belt carcass

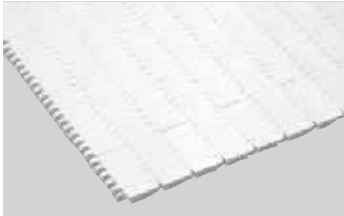
SERIES 1000



### SERIES 1000

- Capable of transfer over 3/4" nosebar
- Superior mini-pitch belt strength
- Medium pressure accumulation

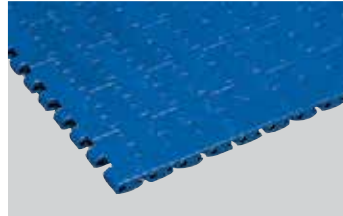
SERIES 900



### SERIES 900

- Medium pressure accumulation
- Varied product foot print
- Durable belt carcass

SERIES 1400

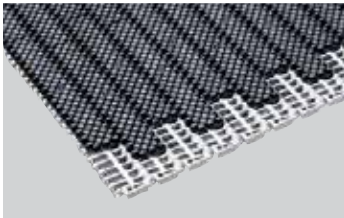


### SERIES 1400

- Medium pressure accumulation
- Great for glass applications
- Ideal for container handling applications

## FRICTION FLAT TOP

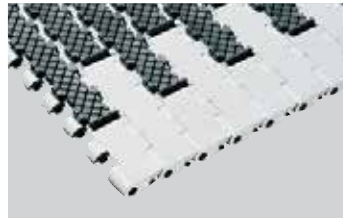
SERIES 900



### SERIES 900

- Inclines and declines
- Helps maintain product orientation
- Increased grip on product

SERIES 1400

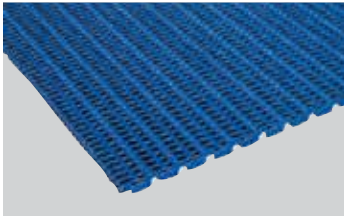


### SERIES 1400

- Provides improved product grip
- Permits steeper inclines and declines
- Ideal for heavy duty applications needing additional product grip

## FLUSH GRID

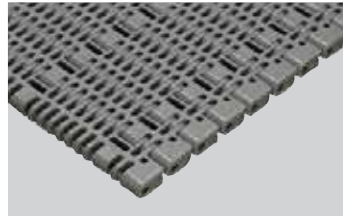
SERIES 900



### SERIES 900

- Meat and poultry transportation
- Fruit and vegetable transportation
- Washdown applications

SERIES 1400



### SERIES 1400

- Ideal for carrying medium to heavy loads
- Open design allows for water or small debris to fall through the belt

## INLINE ROLLER TOP

SERIES 400

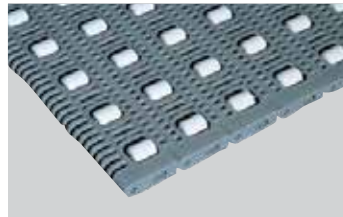


### SERIES 400

- Low pressure accumulation
- Available in 2" increments only

## TRANSVERSE ROLLER TOP

SERIES 400



### SERIES 400

- 90 degree product transfer
- Tire or package merging
- Available in 2" increments only

## RADIUS FLUSH GRID

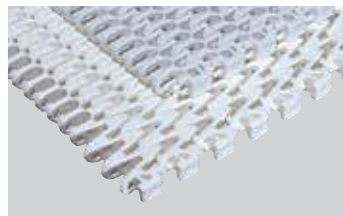
SERIES 2200



### SERIES 2200

- Utilized on curves
- Lightweight, relatively strong belt with smooth surface grid
- Belt openings pass straight through belt, making it easy to clean

SERIES 2400



### SERIES 2400

- Utilized on curves
- Belt openings pass straight through belt, making it easy to clean
- Sprocket drive system is designed to minimize wear and requires very low return side tension

Other belt types available upon request

## OPTIONAL EQUIPMENT AND DEVICES

**SIDE GUIDES** - Available in fixed or adjustable with multiple contact surfaces. Allows product to be guided and kept in place within the conveying surface. Side guides are bolted to the conveyor frame.

**Fixed Angle Side Guides** - Standard 2" high or 6" high, 12 ga. formed angle

**Adjustable Angle Side Guides** - Angle guides typically formed angle, width adjustable

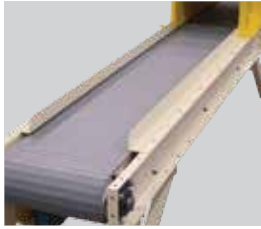
**UHMW Lined Fixed Angle Side Guides** - Replaceable UHMW face provides wear protection for angle guides

**Adjustable Rail UHMW Side Guides** - Replaceable UHMW face provides wear protection on rails, width and height adjustable

**Skatewheel Side Guides** - Vertically mounted skatewheels

**Bead Rail Side Guides** - Vertically mounted, tightly spaced small wheels supported by axles and a metal channel

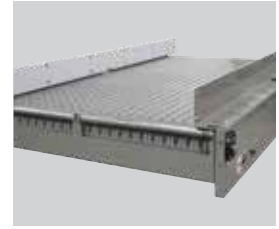
**Roller Side Guides** - Vertically mounted rollers



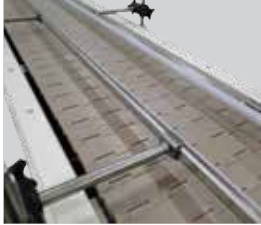
FIXED ANGLE SIDE GUIDES



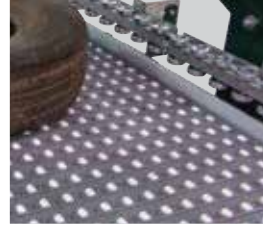
ADJUSTABLE ANGLE SIDE GUIDES



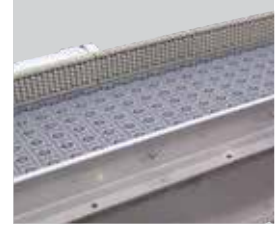
UHMW LINED FIXED ANGLE SIDE GUIDES



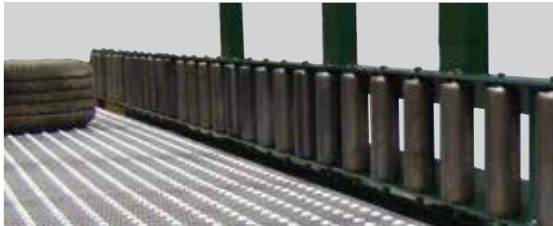
ADJUSTABLE RAIL UHMW SIDE GUIDES



SKATEWHEEL SIDE GUIDES



BEAD RAIL SIDE GUIDES



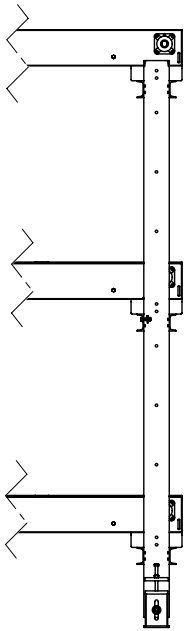
ROLLER SIDE GUIDES

**SUPPORTS** - Available in single or multi-tier and with caster options for portability. Supports are designed to be bolted to the conveyor frame. Supports are shipped loose.

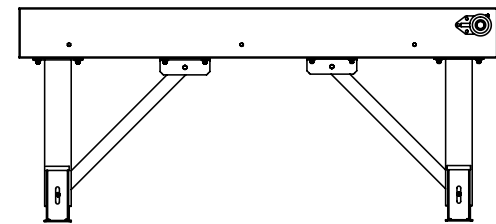
**Multi-Tier Supports**

**Knee Brace Supports**

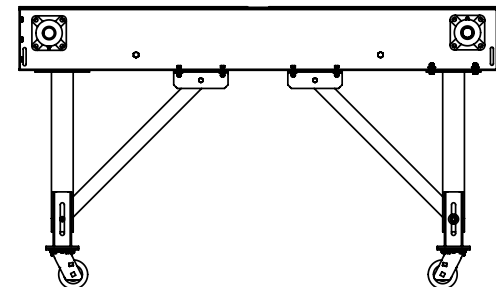
**Portable H-Stands**



MULTI-TIER SUPPORTS

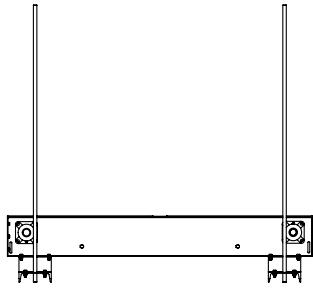


KNEE BRACE SUPPORTS

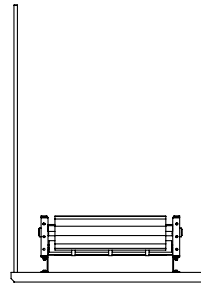


PORTABLE H-STANDS

## OPTIONAL EQUIPMENT AND DEVICES



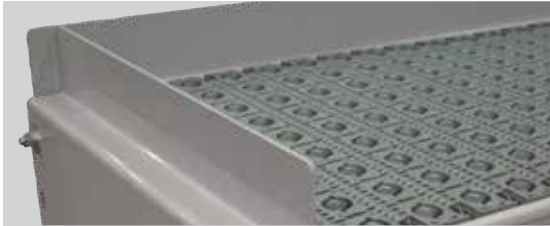
SIDE VIEW



END VIEW

**CEILING HANGERS**

**CEILING HANGERS** - Allows conveyor to be suspended from the ceiling. Threaded rod is attached to support steel under the conveyor frame. Ceiling attachments to threaded rod by others. Rods not included.



FIXED END STOPS

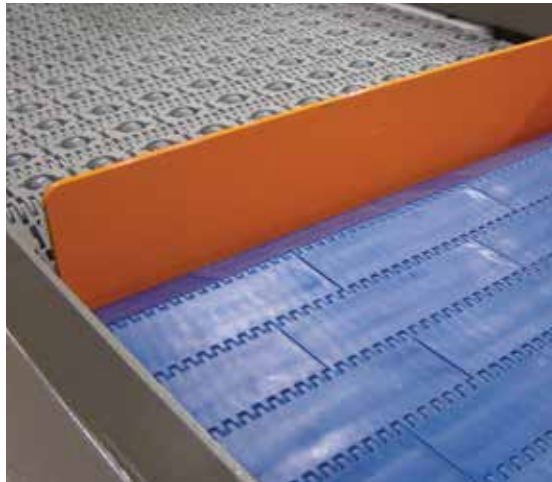


ADJUSTABLE END STOPS  
**END STOPS**

**END STOPS** - Allows product to stop at the end of a conveyor line. Fixed and adjustable end stops are available.

**Fixed End Stops**- Formed or structural steel bolted or welded to end of conveyor with optional structural angle reinforcement. Fixed stops can include fork cut outs for unloading.

**Adjustable End Stops** - Formed steel adjustable end stop bolted to conveyor frame with manually adjusted stop position. Height is not adjustable.



**POP-UP BLADE STOPS**

**POP-UP BLADE STOPS** - Pneumatically or manually operated blade stop that pops up between belts in order to accumulate product



**CLEATS**

**CLEATS** - Available on horizontal, incline and decline plastic belt conveyor. Available in multiple heights and styles.

**STAINLESS STEEL** - Conveyors are available in stainless steel materials for washdown applications or harsh environments





# SCISSOR LIFTS

## SECTION CONTENT

Shop Aid Scissor Lifts  
Heavy Duty, Extra Heavy Duty Series Hydraulic Scissor Lifts  
Heavy Duty Series Tandem Scissor Lifts  
Pneumatic Series Scissor Lifts – Fixed Bag  
Multi-Tier Scissor Lifts  
Floor Load Series Scissor Lift  
Optional Equipment and Devices



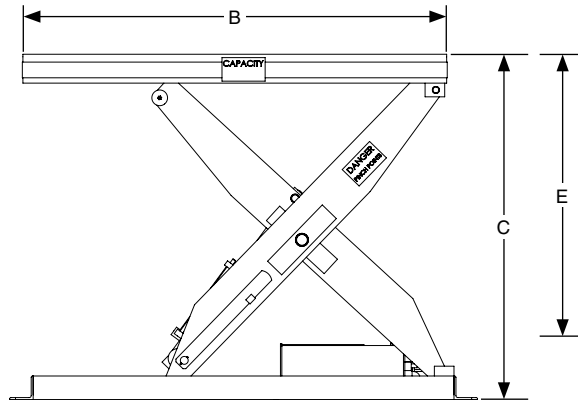
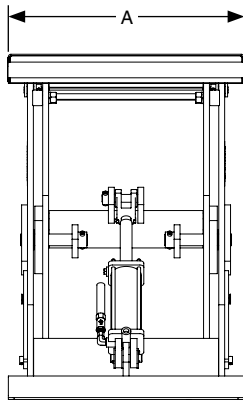


# SLHA, SLHS SHOP AID SCISSOR LIFTS

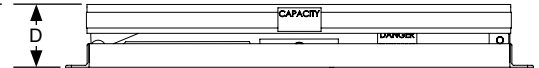


## WHY SLHA, SLHS?

- Versatile production tool for changing line elevation or ergonomic lifting
- An economical option to decrease worker fatigue
- 2,000 to 6,000 lbs. standard load capacities with a variety of travels and platform sizes available
- Common applications include workstations for assembly, welding processes, heavy product manufacturing or work platforms



A = Platform Width  
 B = Platform Length  
 C = Raised Height  
 D = Lowered Height  
 E = Travel



Scissor Lift Shown in Raised Position

Scissor Lift Shown in Lowered Position

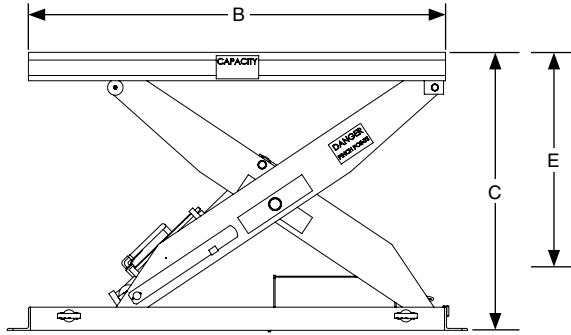
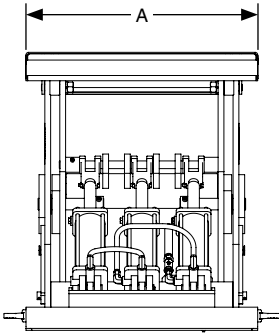
	MODEL NUMBER	LOAD CAPACITY (lbs.)	LOWERED HEIGHT (D) (in.)	TRAVEL (E) (in.)	RAISED HEIGHT (C) (in.)	PLATFORM DIMENSIONS (A X B) (in.)		LIFTING SPEED (SECONDS)	STANDARD MOTOR (HP)	STANDARD VOLTAGE/PHASE/HZ	
						STANDARD	MAXIMUM				
SLHA	<b>HS SERIES - 36" TRAVEL</b>										
	SL-HA-15-36-2000-24-48	2000	7	36	43	24 x 48	48 x 72	21	1 (Internal)	115/1/60	
	SL-HA-15-36-4000-24-48	4000	7	36	43	24 x 48	48 x 72	42	1 (Internal)	115/1/60	
	SL-HA-15-36-6000-24-48	6000	7	36	43	24 x 48	48 x 72	63	1 (Internal)	115/1/60	
SLHS	<b>HS SERIES - 24" TRAVEL</b>										
	SL-HS-15-24-2000-30-50	2000	8	24	32	30 x 50	54 x 74	14	1 (Internal)	115/1/60	
	SL-HS-15-24-4000-30-50	4000	8	24	32	30 x 50	54 x 74	28	1 (Internal)	115/1/60	
	SL-HS-15-24-6000-30-50	6000	8	24	32	30 x 50	54 x 74	42	1 (Internal)	115/1/60	
	<b>HS SERIES - 36" TRAVEL</b>										
	SL-HS-15-36-2000-30-54	2000	8	36	44	30 x 54	54 x 78	21	1 (Internal)	115/1/60	
	SL-HS-15-36-4000-30-54	4000	8	36	44	30 x 54	54 x 78	42	1 (Internal)	115/1/60	
	SL-HS-15-36-6000-30-54	6000	8	36	44	30 x 54	54 x 78	63	1 (Internal)	115/1/60	
	<b>HS SERIES - 48" TRAVEL</b>										
	SL-HS-15-48-2000-30-66	2000	8	48	56	30 x 66	54 x 96	24	1 (Internal)	115/1/60	
	SL-HS-15-48-4000-30-66	4000	8	48	56	30 x 66	54 x 96	48	1 (Internal)	115/1/60	
	SL-HS-15-48-6000-30-66	6000	8	48	56	30 x 66	54 x 96	72	1 (Internal)	115/1/60	
	<b>HD SERIES - 60" TRAVEL</b>										
	SL-HS-15-60-2000-36-86	2000	10	60	70	30 x 86	54 x 108	16	3 (External)	240,460/3/60	
	SL-HS-15-60-4000-30-86	4000	10	60	70	30 x 86	54 x 108	32	3 (External)	240,460/3/60	
	SL-HS-15-60-6000-30-86	6000	10	60	70	30 x 86	54 x 108	48	3 (External)	240,460/3/60	
<b>HD SERIES - 72" TRAVEL</b>											
SL-HS-15-72-2000-30-102	2000	10	72	82	30 x 102	54 x 120	16	3 (External)	240,460/3/60		
SL-HS-15-72-4000-30-102	4000	10	72	82	30 x 102	54 x 120	32	3 (External)	240,460/3/60		
SL-HS-15-72-6000-30-102	6000	12	72	84	30 x 102	54 x 120	48	3 (External)	240,460/3/60		

# SLHX, SLHU

## HEAVY DUTY, EXTRA HEAVY DUTY SERIES HYDRAULIC SCISSOR LIFTS

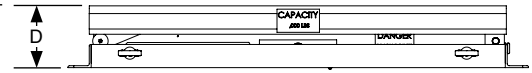
### WHY SLHX, SLHU?

- Constructed to handle the heaviest loads for industrial applications
- 8,000 lbs. to 20,000 lbs. standard load capacities with a variety of travels and platform sizes available
- Common applications include workstations for assembly, welding processes, heavy product manufacturing or work platforms



Scissor Lift Shown in Raised Position

A = Platform Width  
 B = Platform Length  
 C = Raised Height  
 D = Lowered Height  
 E = Travel



Scissor Lift Shown in Lowered Position

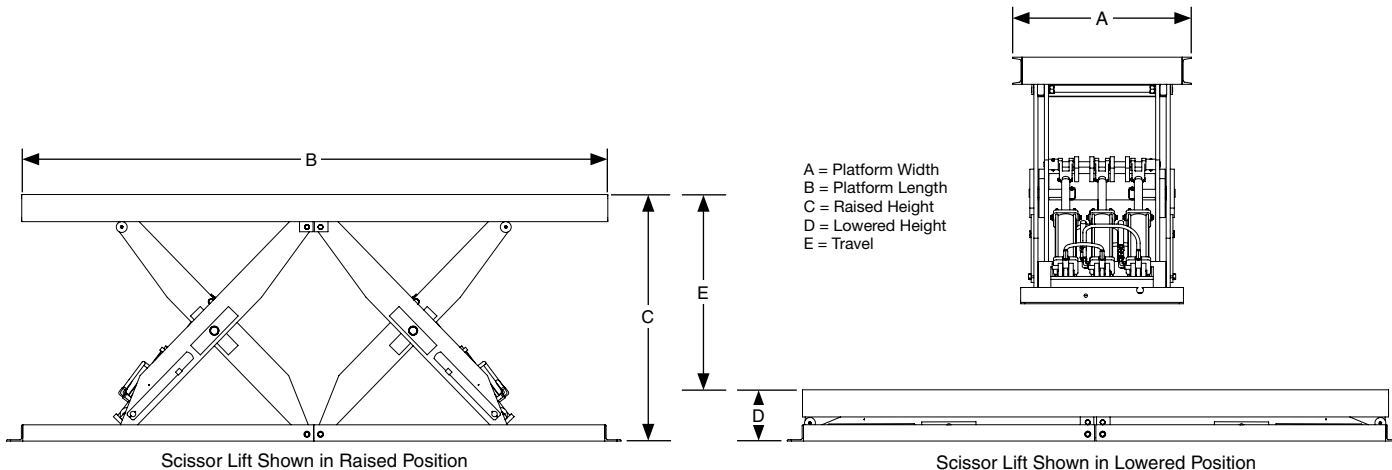
MODEL NUMBER	LOAD CAPACITY (lbs.)	LOWERED HEIGHT (in.) (D)	TRAVEL (in.) (E)	RAISED HEIGHT (in.) (C)	PLATFORM DIMENSIONS (A X B) (in.)		LIFTING SPEED (SECONDS)	STANDARD MOTOR (HP)	STANDARD VOLTAGE/ PHASE/HZ	
					STANDARD	MAXIMUM				
<b>SLHX</b>										
<b>XHD SERIES - 24" TRAVEL</b>										
SL-HX-20-24-8000-36-60	8000	10.5	24	34.5	36 x 60	60 x 84	15	5 (External)	240,460/3/60	
SL-HX-20-24-12000-40-60	12000	10.5	24	34.5	40 x 60	64 x 84	21	5 (External)	240,460/3/60	
<b>XHD SERIES - 36" TRAVEL</b>										
SL-HX-20-36-8000-36-60	8000	10.5	36	46.5	36 x 60	60 x 84	18	5 (External)	240,460/3/60	
SL-HX-20-36-12000-40-60	12000	10.5	36	46.5	40 x 60	64" x 84	27	5 (External)	240,460/3/60	
<b>XHD SERIES - 48" TRAVEL</b>										
SL-HX-20-48-8000-36-70	8000	10.5	36	58.5	36 x 70	60 x 96	22	5 (External)	240,460/3/60	
SL-HX-20-48-12000-40-70	12000	10.5	36	58.5	40 x 70	64 x 96	33	5 (External)	240,460/3/60	
<b>XHD SERIES - 60" TRAVEL</b>										
SL-HX-20-60-8000-36-86	8000	11.5	60	71.5	36 x 86	60 x 108	26	5 (External)	240,460/3/60	
SL-HX-20-60-12000-40-86	12000	11.5	60	71.5	40 x 86	64 x 108	38	5 (External)	240,460/3/60	
<b>XHD SERIES - 72" TRAVEL</b>										
SL-HX-20-72-8000-36-102	8000	16	72	88	36 x 102	60 x 120	26	5 (External)	240,460/3/60	
SL-HX-20-72-12000-40-102	12000	16	72	88	40 x 102	64 x 120	38	5 (External)	240,460/3/60	
<b>SLHU</b>										
<b>SHD SERIES - 24" TRAVEL</b>										
SL-HU-20-24-15000-48-72	15000	16	24	40	48 x 72	72 x 96	24	5 (External)	240,460/3/60	
SL-HU-20-24-20000-48-72	20000	16	24	40	48 x 72	72 x 96	35	5 (External)	240,460/3/60	
<b>SHD SERIES - 36" TRAVEL</b>										
SL-HU-20-36-15000-48-72	15000	16	36	52	48 x 78	72 x 96	36	5 (External)	240,460/3/60	
SL-HU-20-36-20000-48-72	20000	16	36	52	48 x 78	72 x 96	53	5 (External)	240,460/3/60	
<b>SHD SERIES - 48" TRAVEL</b>										
SL-HU-20-48-15000-48-84	15000	16	48	64	48 x 84	72 x 108	45	5 (External)	240,460/3/60	
SL-HU-20-48-20000-48-84	20000	16	48	64	48 x 84	72 x 108	68	5 (External)	240,460/3/60	
<b>SHD SERIES - 60" TRAVEL</b>										
SL-HU-20-60-15000-48-84	15000	16	60	76	48 x 102	72 x 126	57	5 (External)	240,460/3/60	
SL-HU-20-60-20000-48-108	20000	16	60	76	48 x 108	72 x 132	86	5 (External)	240,460/3/60	

# SLHT HEAVY DUTY SERIES TANDEM SCISSOR LIFTS



## WHY SLHT?

- Ideal for long platform requirements
- Stable, double scissor set design
- Common applications include workstations for assembly, welding processes, heavy product manufacturing or work platforms



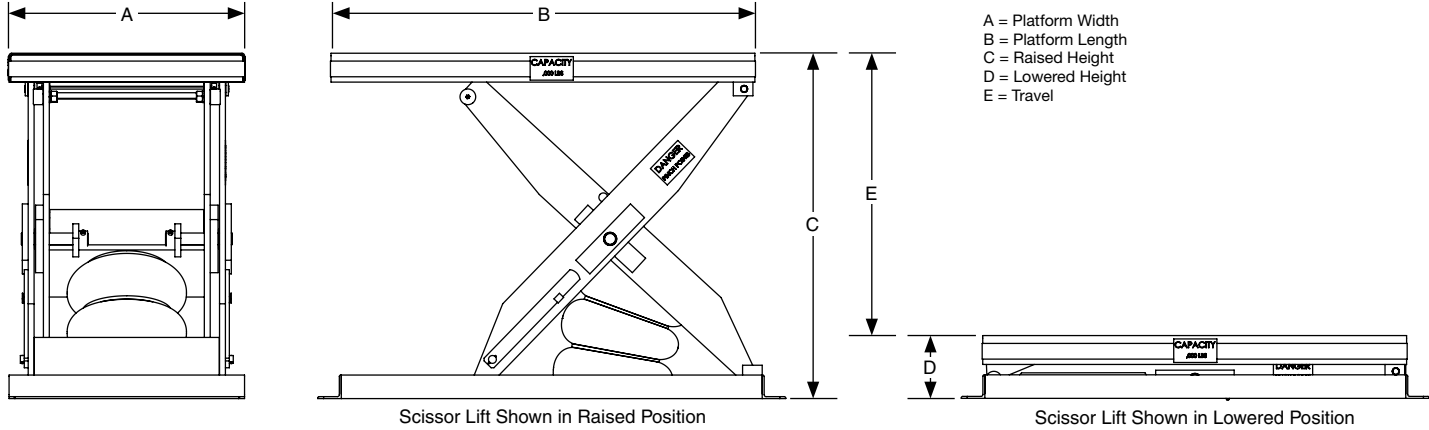
MODEL NUMBER	LOAD CAPACITY (lbs.)	LOWERED HEIGHT (in.) (D)	TRAVEL (in.) (E)	RAISED HEIGHT (in.) (C)	PLATFORM DIMENSIONS (A X B) (in.)		LIFTING SPEED (SECONDS)	STANDARD MOTOR (HP)	STANDARD VOLTAGE/ PHASE/HZ	
					STANDARD	MAXIMUM				
<b>HD SERIES - 24" TRAVEL</b>										
SL-HT-20-24-4000-30-102	4000	8	24	32	30 x 102	54 x 126	28	1 (Internal)	115/1/60	
SL-HT-20-24-8000-30-102	8000	8	24	32	30 x 102	54 x 126	56	1 (Internal)	115/1/60	
SL-HT-20-24-12000-30-102	12000	8	24	32	30 x 102	54 x 126	84	1 (Internal)	115/1/60	
<b>HD SERIES - 36" TRAVEL</b>										
SL-HT-20-36-4000-30-114	4000	8	36	44	30 x 114	54 X 138	42	1 (Internal)	115/1/60	
SL-HT-20-36-8000-30-114	8000	8	36	44	30 x 114	54 X 138	84	1 (Internal)	115/1/60	
SL-HT-20-36-12000-30-114	12000	8	36	44	30 x 114	54 X 138	55	3 (External)	240,460/3/60	
<b>HD SERIES - 48" TRAVEL</b>										
SL-HT-20-48-4000-30-138	4000	8	48	56	30 x 138	54 x 162	23	3 (External)	240,460/3/60	
SL-HT-20-48-8000-30-138	8000	8	48	56	30 x 138	54 x 162	46	3 (External)	240,460/3/60	
SL-HT-20-48-12000-30-138	12000	8	48	56	30 x 138	54 x 162	69	3 (External)	240,460/3/60	
<b>HD SERIES - 60" TRAVEL</b>										
SL-HT-20-60-4000-30-174	4000	10	60	70	30 x 174	54 x 198	32	3 (External)	240,460/3/60	
SL-HT-20-60-8000-30-174	8000	10	60	70	30 x 174	54 x 198	64	3 (External)	240,460/3/60	
SL-HT-20-60-12000-30-174	12000	10	60	70	30 x 174	54 x 198	96	3 (External)	240,460/3/60	
<b>HD SERIES - 72" TRAVEL</b>										
SL-HT-20-72-4000-30-210	4000	12	72	84	30 x 210	54 x 240	32	3 (External)	240,460/3/60	
SL-HT-20-72-8000-30-210	8000	12	72	84	30 x 210	54 x 240	64	3 (External)	240,460/3/60	
SL-HT-20-72-12000-30-210	12000	12	72	84	30 x 210	54 x 240	96	3 (External)	240,460/3/60	

# SLPF PNEUMATIC SERIES SCISSOR LIFTS - FIXED BAG



## WHY SLPF?

- Quiet air bag lift mechanism
- No electric/hydraulics needed for lifting
- Ideal for applications where hydraulics are not preferred
- Common applications include workstations for assembly, welding processes, heavy product manufacturing or work platforms



MODEL NUMBER	LOAD CAPACITY (lbs.)	LOWERED HEIGHT (in.) (D)	TRAVEL (in.) (E)	RAISED HEIGHT (in.) (C)	PLATFORM DIMENSIONS (A X B) (in.)		
					STANDARD	MAXIMUM	
<b>PF SERIES - 20" TRAVEL</b>							
SL-PF-15-20-2000-36-36	2000	8	20	28	36 x 36	60 x 42	
<b>PF SERIES - 24" TRAVEL</b>							
SL-PF-15-24-2000-36-48	2000	8	24	32	36 x 48	60 x 54	
SL-PF-15-24-3000-36-48	3000	8	24	32	36 x 48	60 x 54	
SL-PF-15-24-4000-48-48	4000	8	24	32	48 x 48	60 x 54	
SL-PF-15-24-5000-48-48	5000	8	24	32	48 x 48	60 x 54	
<b>PF SERIES - 36" TRAVEL</b>							
SL-PF-15-36-2000-36-60	2000	10	36	46	36 x 60	60 x 66	
SL-PF-15-36-3000-36-60	3000	10	36	46	36 x 60	60 x 66	

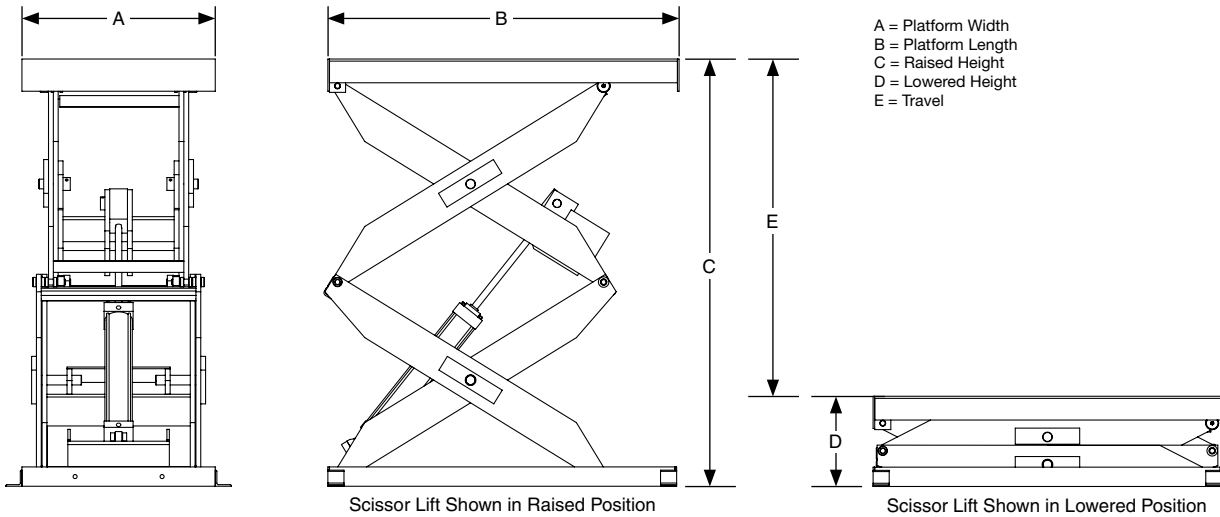
Not intended for applications requiring precise lift positioning

# SLHM MULTI-TIER SCISSOR LIFTS



## WHY SLHM?

- Ideal for high vertical travel requirements with minimal platform size
- Utilizing multiple scissor sets keeps a small overall platform size
- Common applications include workstations for assembly, welding processes, heavy product manufacturing or work platforms



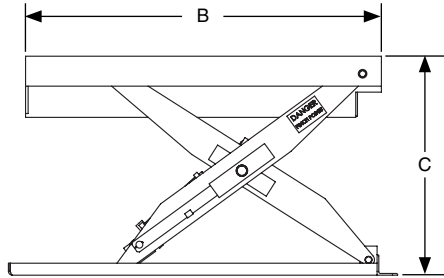
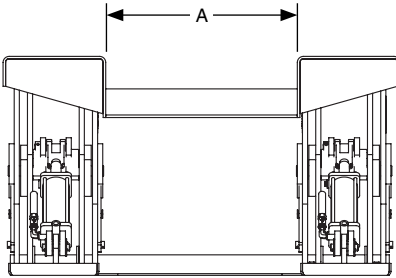
MODEL NUMBER	LOAD CAPACITY (lbs.)	LOWERED HEIGHT (in.) (D)	TRAVEL (in.) (E)	RAISED HEIGHT (in.) (C)	PLATFORM DIMENSIONS (A X B) (in.)		LIFTING SPEED (SECONDS)	STANDARD MOTOR (HP)	STANDARD VOLTAGE/ PHASE/HZ	
					STANDARD	MAXIMUM				
<b>HM SERIES - 36" TRAVEL</b>										
SL-HM-20-36-2000-30-36	2000	12	36	49	30 x 36	48 X 48	20	3 (External)	240,460/3/60	
SL-HM-20-36-4000-30-36	4000	12	36	49	30 x 36	48 X 48	40	3 (External)	240,460/3/60	
SL-HM-20-36-6000-30-36	6000	14	36	49	30 x 36	48 X 48	42	3 (External)	240,460/3/60	
<b>HM SERIES - 48" TRAVEL</b>										
SL-HM-20-48-2000-30-42	2000	12	48	61	30 x 42	48 x 60	13	3 (External)	240,460/3/60	
SL-HM-20-48-4000-30-42	4000	12	48	61	30 x 42	48 x 60	25	3 (External)	240,460/3/60	
SL-HM-20-48-6000-30-42	6000	14	48	62	32 x 42	48 x 60	38	3 (External)	240,460/3/60	
<b>HM SERIES - 60" TRAVEL</b>										
SL-HM-20-60-2000-30-54	2000	13.5	60	73.5	30 x 54	48 x 66	20	3 (External)	240,460/3/60	
SL-HM-20-60-4000-30-54	4000	14	60	74	30 x 54	48 x 66	40	3 (External)	240,460/3/60	
SL-HM-20-60-6000-30-54	6000	14	60	74	30 x 54	48 x 66	50	3 (External)	240,460/3/60	
<b>HM SERIES - 72" TRAVEL</b>										
SL-HM-20-72-2000-30-54	2000	13.5	72	85.5	30 x 54	48 x 72	26	3 (External)	240,460/3/60	
SL-HM-20-72-4000-30-54	4000	14	72	86	30 x 54	48 x 72	40	3 (External)	240,460/3/60	
SL-HM-20-72-6000-30-54	6000	14	72	86	30 x 54	48 x 72	52	3 (External)	240,460/3/60	
<b>HM SERIES - 84" TRAVEL</b>										
SL-HM-20-84-2000-30-70	2000	18	84	102	36 x 70	54 x 90	34	3 (External)	240,460/3/60	
SL-HM-20-84-4000-30-70	4000	18	84	102	36 x 70	54 x 90	52	3 (External)	240,460/3/60	
SL-HM-20-84-6000-30-70	6000	18	84	102	36 x 70	54 x 90	68	3 (External)	240,460/3/60	
<b>HM SERIES - 96" TRAVEL</b>										
SL-HM-20-96-2000-30-78	2000	18	96	114	36 x 78	54 x 108	43	3 (External)	240,460/3/60	
SL-HM-20-96-4000-30-78	4000	18	96	114	36 x 78	54 x 108	66	3 (External)	240,460/3/60	
SL-HM-20-96-6000-30-78	6000	18	96	114	36 x 78	54 x 108	86	3 (External)	240,460/3/60	
<b>HM SERIES - 120" TRAVEL</b>										
SL-HM-20-120-2000-30-96	2000	18	120	138	36 x 96	54 x 120	41	3 (External)	240,460/3/60	
SL-HM-20-120-4000-30-96	4000	18	120	138	36 x 96	54 x 120	62	3 (External)	240,460/3/60	

# SLHZ FLOOR LOAD SERIES SCISSOR LIFT

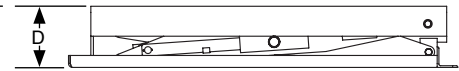


## WHY SLHZ?

- Load plate sits directly on floor, scissors are outboard
- Common applications include loading by pallet jack or similar floor load/unload applications



A = Platform Width  
 B = Platform Length  
 C = Raised Height  
 D = Lowered Height  
 E = Travel



Scissor Lift Shown in Raised Position

Scissor Lift Shown in Lowered Position

MODEL NUMBER	LOAD CAPACITY (lbs.)	LOWERED HEIGHT (in.) (D)	TRAVEL (in.) (E)	RAISED HEIGHT (in.) (C)	PLATFORM DIMENSIONS (A X B) (in.)		LIFTING SPEED (SECONDS)	STANDARD MOTOR (HP)	STANDARD VOLTAGE/ PHASE/HZ	
					STANDARD	MAXIMUM				
<b>FLOOR LOAD SERIES - 33" TRAVEL</b>										
SLHZ	SL-HZ-15-33-2000-44-48	2000	3/8	33	33 3/8	44 x 48	76 x 54	29	3 (External)	240,460/3/60
	SL-HZ-15-33-4000-44-48	4000	3/8	33	33 3/8	44 x 48	76 x 56	40	3 (External)	240,460/3/60
	SL-HZ-15-33-6000-44-48	6000	1/2	33	33 1/2	44 x 48	77 x 59 1/2	52	3 (External)	240,460/3/60

## STANDARD SPECIFICATIONS

**PIVOT POINTS** - Hand tool removable pins and bushings for ease of maintenance

**CAM FOLLOWERS** - Needle bearing cam followers for smooth motion and longer life

**POWER UNITS** - 1 HP and 3.2 HP internal and 3 HP, 5 HP and 7 1/2 HP external power units, intermittent duty, 110/220V single phase, 230/460V 3 phase

**STANDARD ACTUATIONS AVAILABLE** - Pneumatic (cylinders or air bag), hydraulic cylinder or mechanical chain style lift

**ARMS** - Heavy duty 3/4" steel plate scissor arms

**CYLINDERS** - SAE (mobile) and NFPA (industrial) cylinders are both available. Omni mounting design minimizes cylinder side load which extends cylinder life.

PNEUMATIC



HYDRAULIC

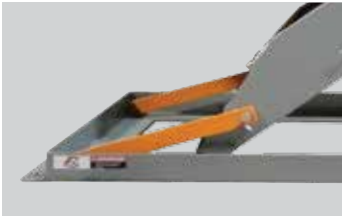


MECHANICAL



**MAINTENANCE BAR** - Holds lift in position while performing maintenance on lift. Provided with every lift table.

FLIP UP STYLE



DROP IN STYLE



**FINISHES** - Powder coat standard. Wet spray available.

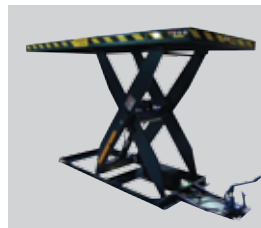
Expanded product parameters available. For more information see Tech Handbook.

## OPTIONAL EQUIPMENT AND DEVICES



BEVELED TOE GUARD

**BEVELED TOE GUARD** - Required for pit mounted lift tables. Platform is beveled around the perimeter edges for safety at edge of pit.



MANUAL PUMP

**MANUAL PUMP** - Foot pedal operated manual pump option. No electricity needed.



FOOT PEDAL

**FOOT PEDAL** - Available in a single, double or triple switch configuration (guard included) for up/down or start/stop applications, option to be shipped loose, wired to motor controller or junction box. Pneumatic foot pedal available for direct actuated applications.



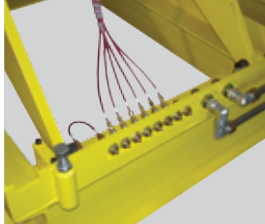
## OPTIONAL EQUIPMENT AND DEVICES

**HAND PENDANT** - Hand pendant controller with 10' leads, option to be shipped loose, wired to motor controller or junction box. Standard configurations for start/stop, forward/stop/reverse, emergency stop and up/down. Standard enclosure is Nema 4 (polycarbonate).



**HAND PENDANT**

**LUBE MANIFOLD** - Common point of lubrication for quick and easy maintenance. Zerk fittings and tubing plumbed to lubricated wear point. Ideal option for high-cycle applications.



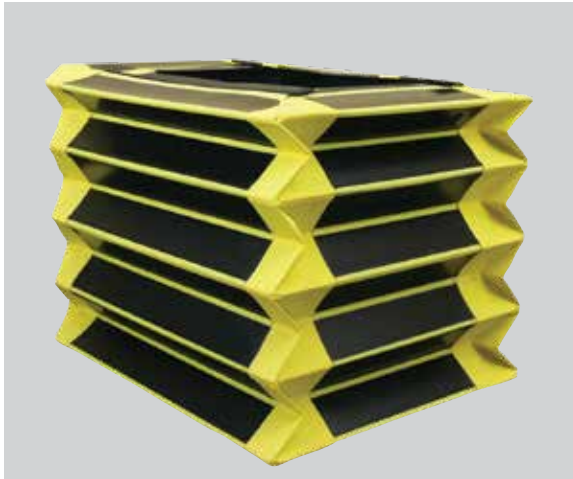
**LUBE MANIFOLD**

**LIMIT SWITCH** - 115 VAC or 24 VDC, option to be shipped loose, mounted only or mounted to conveyor and wired to a junction box or motor controller



**LIMIT SWITCH**

**SKIRTING** - Standard skirting material is vinyl coated polyester, standard skirting color is yellow and black and standard with support straps for easy maintenance. Other materials and colors are available.



**SKIRTING**

**MOBILITY/PORTABILITY** - Casters only, with urethane or custom wheel coating. Lever action push-down T-handle allows easy manual movement.



**MOBILITY/PORTABILITY**

**DOUBLE WIDE CONFIGURATION** - Utilizes double scissor arm sets for wide lift applications with full support

**HIGH CYCLE PACKAGES** - For cycles exceeding 15 per hour on internal power units and 20 per hour on external power units, high cycle packages are required. Package typically includes regreasable pivot points, NFPA cylinders, common lubrication points, and continuous running power units, and replacement wear tracks.

**POWER UNIT VOLTAGE** - Optional 575V/3PH pump motor voltage on hydraulic power unit



# TURNTABLES

## SECTION CONTENT

Power Turntable

Manual Turntable

Low Profile Manual Turntable

Optional Equipment and Devices

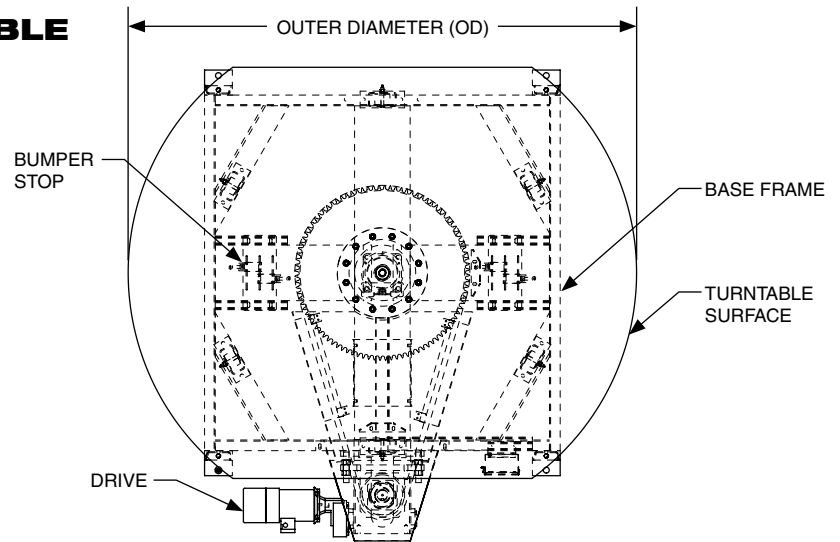
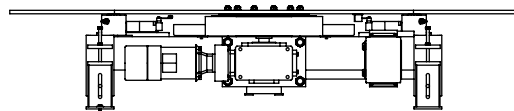




## WHY TT?

- Provide directional change without changing product orientation
- Manual or Powered Turntables rotate to the desired angle required for your application
- One of the lowest heights in the industry
- Easily equipped with a conveyor deck
- Transition roller packages allow smooth transitions between conveyor and turntable
- Adjacent conveyor can be modified to accept to nest turntable
- Common applications include palletizing, filling, load staging, robotic cells, stretch wrapping, strapping and transportation

# PTT POWER TURNTABLE



CAPACITY (lbs.)	OUTER DIAMETER MAXIMUM (in.)	TOP PLATE THICKNESS (in.)	MINIMUM TOP OF TABLE		SUPPORT BEARING Style	DRIVE CHAIN Size	HORSEPOWER HP	STANDARD SPEED AT OUTER DIAMETER FPM
			Drive Under (in.)	Drive External (in.)				
1000	60	3/8	12	7 1/2	Yoke Roller	RC50	1/3	30
3500	84	1/2	14	8 1/4	Heavy Duty Yoke Roller	RC60	1/2	30
5000	102	5/8	16	10 3/4	Heavy Duty Yoke Roller	RC80	3/4	30
7500	120	3/4	16 1/4	11 1/2	Heavy Duty Yoke Roller	RC80	1	30
7500	120	1	14 1/2	12 3/4	Rotary Bearing	RC80	3/4	30
10000	120	1 1/2	20	18	Rotary Bearing	RC100	1	20

Additional capacities and sizes are available  
Lower table heights may be available

## STANDARD SPECIFICATIONS

**STANDARD DIAMETER** - Up to 120"

**BASE FRAME** - Structural channel or tube provides rigid support for table top

**TOP PLATE** - Rigid, flat sheet top plate provides clean work surface. Turntables can be equipped with a conveyor deck per customer specifications.

**CONSTRUCTION** - Welded frames, spreaders

**ROTATION** - Standard table rotations of 90°, 180°, 270° and 360°. Other rotations are available upon request.

**BRAKE MOTOR** - 1/2 HP through 5 HP, 1750 RPM, C-face, 208-230-460V/3PH/60Hz, TEFC

**REDUCER** - Sealed, worm gear, C-face

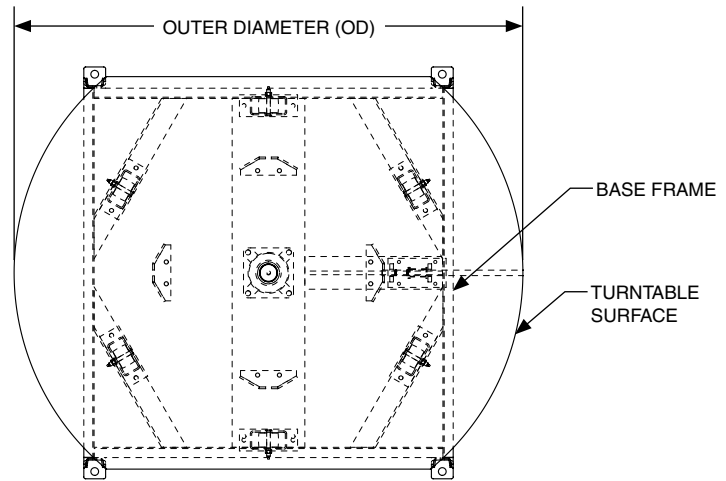
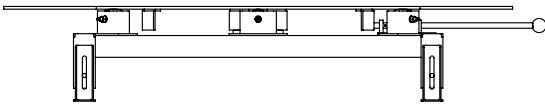
**TORQUE LIMITERS** - Torque limiters protect machinery from damage due to unexpected overload conditions. Driven center member slips on nonasbestos friction discs during extraordinary loads on the driveline. Torque limiters automatically reset when the overload condition is relieved.

**STOPS** - Adjustable rubber bumper stops where applicable on powered units allow positioning of table top and absorb shock upon stopping

**SUPPORTS** - Structural steel, integrated into the turntable base, adjustable jackbolt feet

**FINISHES** - Powder coat finish standard. Wet spray available.

**Expanded product parameters available. For more information see Tech Handbook.**



CAPACITY (lbs.)	OUTER DIAMETER MAXIMUM (in.)	TOP PLATE THICKNESS (in.)	MINIMUM TOP OF TABLE (in.)	SUPPORT BEARING Style
1000	60	3/8	7	Yoke Roller
3500	84	1/2	8	Heavy Duty Yoke Roller
5000	102	5/8	10 1/4	Heavy Duty Yoke Roller
7500	120	1	10 3/4	Rotary Bearing

Additional capacities and sizes are available  
Lower table heights may be available

## STANDARD SPECIFICATIONS

**STANDARD DIAMETER** - Up to 120"

**BASE FRAME** - Structural channel or tube provides rigid support for table top

**TOP PLATE** - Rigid, flat sheet top plate provides clean work surface. Turntables can be equipped with a conveyor deck per customer specifications.

**CONSTRUCTION** - Welded frames, spreaders

**ROTATION** - Standard table rotations of 90°, 180°, 270° and 360°. Other rotations are available upon request. Rotational force will vary depending on product load and size. The force to rotate can exceed 50 lbs.

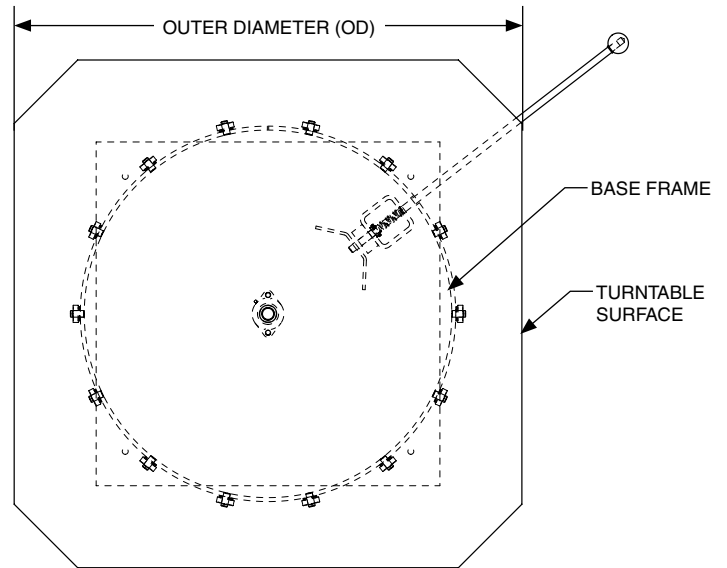
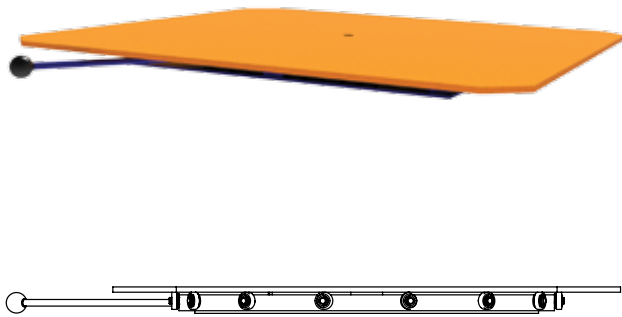
**Expanded product parameters available. For more information see Tech Handbook.**

**DETENTS** - Manually operated or spring loaded detents orient table top at 90° increments on all manually operated units. Special increments are available. Manually operated detents can be actuated by hand or foot.

**SUPPORTS** - Structural steel, integrated into the turntable base, adjustable boot

**FINISHES** - Powder coat finish standard. Wet spray available.

# LPMT **LOW PROFILE MANUAL TURNTABLE**



CAPACITY	DECK SIZE	TOP PLATE THICKNESS	MINIMUM TOP OF TABLE	SUPPORT BEARING
(lbs.)	(in.)	(in.)	(in.)	Style
4000	36 x 36	1/2	2 1/2	Semi-Precision Bearing
4000	48 x 48	1/2	2 1/2	Semi-Precision Bearing
4000	60 x 60	1/2	2 1/2	Semi-Precision Bearing

Additional capacities and sizes are available  
Lower table heights may be available

## STANDARD SPECIFICATIONS

**STANDARD DIAMETER** - Up to 120"

**BASE FRAME** - Structural channel or tube provides rigid support for table top

**TOP PLATE** - Rigid, flat sheet top plate provides clean work surface. Turntables can be equipped with a conveyor deck per customer specifications.

**CONSTRUCTION** - Welded frames, spreaders

**Expanded product parameters available. For more information see Tech Handbook.**

**ROTATION** - Standard table rotations of 90°, 180°, 270° and 360°. Other rotations are available upon request. Rotational force will vary depending on product load and size. The force to rotate can exceed 50 lbs.

**FINISHES** - Powder coat finish standard. Wet spray available.

## OPTIONAL EQUIPMENT AND DEVICES

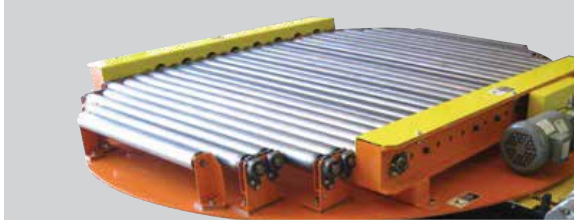
**TRANSITION ROLLERS** - Standard on units that incorporate a conveyor deck. Attached to the rotating part of the turntable, used to assist in supporting products during the transition from adjoining conveyor to the turntable. Powered transition rollers are also available to aid problem products. Fixed transition rollers can also be mounted to adjoining conveyor.

### Gravity Rollers

### Power Rollers



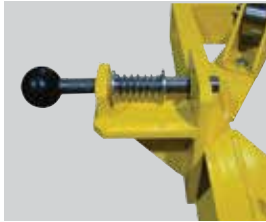
GRAVITY ROLLERS



POWER ROLLERS  
TRANSITION ROLLERS

### DETENTS

- Spring/non-locking
- Locking Style
  - Hand release
  - Foot release
- Custom options available
  - Pneumatic
  - Magnetic



DETENTS

**MOTOR OPTIONS** - Premium efficiency, single phase, 575V, DC, inverter duty, explosion proof, air, hydraulic, special brands

**PNEUMATIC CYLINDER OPERATED** - Maximum 90° rotation

**INTEGRATED SENSORS** - Limit switches or proximity sensors are mounted within the equipment and wired to a junction box for easy access and installation. Sensors are used to determine position of table top and acceleration or deceleration timing. If solenoid valve is required it is mounted and wired.

**SLIP RINGS** - Route power through center of table to rotating deck of turntable. A slip ring may affect the minimum height of table.

**ROTARY UNION** - Route air or hydraulic oil to rotating deck of turntable. Rotary unions may affect the minimum height of table. 250 PSI maximum.

**STAINLESS STEEL** - Turntables are available in stainless steel materials for washdown applications or harsh environments

# OMNI STANDARD COLORS



**Omni Standard Blue**



**Safety Blue**  
RAL-5019



**Machinery Grey**  
RAL-7011



**Gloss Black**  
RAL-9005



**Conveyor Green**



**Dark Green**



**Vista Green**  
RAL-6011



**Safety Orange**  
RAL-2010



**Safety Yellow**  
RAL-1023



**Light Ivory**  
RAL-1015



**Gloss White**  
RAL-9003

*Colors illustrated may vary slightly from actual colors.  
Additional RAL colors available.*





# Omni Metalcraft corp.

P.O. Box 352 ■ Alpena, Michigan 49707  
Phone 989.358.7000  
Fax 989.358.7020  
info@omni.com  
www.omni.com